

IG Series

LED Parking Garage Luminaire

Rev. Date: V5 04/23/2020

Product Description

Cree Lighting innovates again to reset the performance benchmark in parking garage applications with the IG Series featuring WaveMax® Technology, our innovative optical waveguide platform. Available in 33 watt and 60 watt, two lumen packages are offered to satisfy IES RP-8-18 and IES Security Zone G-1-03 requirements for environments seeking higher light levels for improved safety and security. The streamlined design breaks away from dated traditional designs, blending form and function, to deliver superior low-glare illumination.

For enhanced performance and versatility, a range of optional integrated lighting controllers bring advanced capabilities and energy savings to the IG Series. From the stand-alone multi-level (PML) option to the full-featured Limelight by Lutron or Synapse® wireless control options, the IG Series provides the features and flexibility designed to meet the needs of today's most demanding parking garage applications.

Applications: Parking garages

Performance Summary

| |
|--|
| Utilizes WaveMax® Technology |
| Initial Delivered Lumens: 3,860 or 7,550 lumens |
| Input Power: 33 or 60 watts |
| Efficacy: Up to 126 LPW |
| Optic: Type V Short Distribution |
| Assembled in the USA of U.S. and imported parts |
| CCT: 3000K, 3500K, 4000K, 5700K |
| CRI: Minimum 80 CRI |
| Limited Warranty*: 10 years on luminaire; 5 years on PML and Limelight options; up to 5 years for Synapse® accessories; 1 year on luminaire accessories |

* See <http://creelighting.com/warranty> for warranty terms. For Synapse accessories, consult Synapse spec sheets for details on warranty terms.

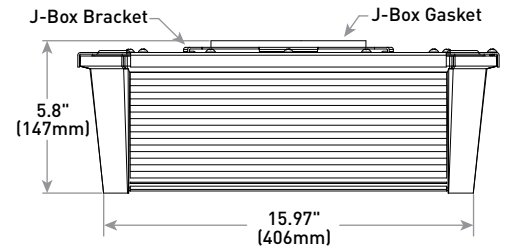
Ordering Information

Fully assembled luminaire is composed of two components that must be ordered separately:
Example: **Mount:** IG-JBWH + **Luminaire:** IG-B-NM-5S-4L-40K8-UL-WH

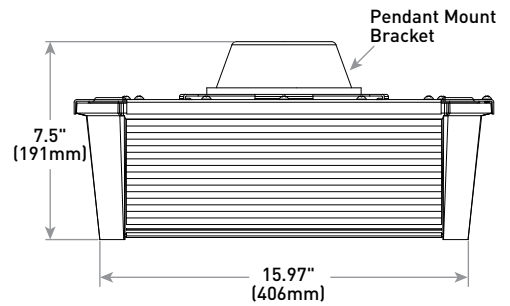
| Mount (Luminaire must be ordered separately) | |
|--|-------------------------|
| IG- | WH |
| IG-JB Junction Box IG-PD Pendant | Color Options: WH White |



JB Mount



PD Mount



Weight

10 lbs. (4.5kg)

| Luminaire (Mount must be ordered separately) | | | | | | | | |
|--|---------|----------------|--------------------|--|--|----------------------------------|-------------|--|
| IG | B | NM | 5S | | | | WH | |
| Product | Version | Mounting | Optic | Lumen Package | CCT/CRI | Voltage | Color | Options |
| IG | B | NM No Mount | 5S Type V Short | 4L 4,000 Lumens 7L 7,000 Lumens | 30K8 3000K, 80 CRI 35K8 3500K, 80 CRI 40K8 4000K, 80 CRI 57K8 5700K, 80 CRI | UL 120-277V UH 347-480V | WH White | <p>LRF Limelight by Lutron Radio Module</p> <ul style="list-style-type: none"> - Not available with UH voltage or PML, SWC, SWS, LPL, or LPM options <p>LPL Limelight by Lutron Radio Module and PIR Sensor Assembly - Low Mounting Height (8-15' mounting height)</p> <ul style="list-style-type: none"> - Not available with UH voltage or PML, SWC, SWS, LRF, or LPM options <p>LPM Limelight by Lutron Radio Module and PIR Sensor Assembly - Medium Mounting Height (>15 to 30' mounting height)</p> <ul style="list-style-type: none"> - Not available with UH voltage or PML, SWC, SWS, LPL, or LRF options <p>PML Programmable Multi-Level</p> <ul style="list-style-type: none"> - Uses built-in occupancy sensing and field-adjustable ambient light sensitivity to independently control the light output of each luminaire - Refer to PML spec sheet for details - Not available with SWC, SWS, LRF, LPL or LPM options - XA-SENSREM hand-held remote required (see Accessory table on page 2) |
| | | | | | | | | <p>SWC Synapse® Wireless Controller</p> <ul style="list-style-type: none"> - Provides real-time lighting control with utility-grade power monitoring (+/-2%) - Uses a highly reliable SimplySNAP mesh network - SimplySNAP Gateway is required (see Accessory table on page 2) - Not available with UH voltage or PML, SWS, LRF, LPL or LPM options <p>SWC Synapse® Wireless Controller with Network Sensor</p> <ul style="list-style-type: none"> - Adds customizable sensor for motion or ambient light detection with use of Daylight Harvesting Accessory (see Accessory table on page 2) - Sensor configured for motion sensing as factory default - SimplySNAP Gateway is required (see Accessory table on page 2) - Not available with UH voltage or PML, SWC, LRF, LPL or LPM options |



US: creelighting.com T (800) 236-6800

Canada: creelighting-canada.com T (800) 473-1234

CREE **LIGHTING**

Product Specifications

WAVEMAX® TECHNOLOGY

Featuring up to 90% optical efficiency and precise control, WaveMax® Technology provides unmatched comfort and decreased LED source luminance by smoothly spreading brightness over a broader area. When integrated with luminous surfaces made of a polymer medium engineered with DiamondFacet™ optical elements, extremely high efficacy luminaires are the result – ultimately creating more visually comfortable and appealing environments while exceeding illumination performance.

CONSTRUCTION & MATERIALS

- Impact resistant white polycarbonate housing and acrylic lenses
- Corrosion resistant anodized aluminum top plate
- Low profile, lightweight design provides ease of installation
- Standard luminaire can mount to both pendant or J-box (specify mount in ordering table above)
- J-Box mounting bracket mounts directly over existing 4" (102mm) square, rectangular or octagonal junction boxes only
- Pendant mount includes 6" (152mm) wires out of luminaire and provides a splice location for mounting to 3/4" IP pendant (by others)
- **Weight:** 10 lbs. (4.5kg)

OPTICAL SYSTEM

- WaveMax® Technology that improves optical control, optical efficiency, energy efficiency and the overall visual experience
- Acrylic Lenses with DiamondFacet™ Microlenses
- Unmatched low-glare comfort and decreased LED source luminance by smoothly spreading brightness over the optical lenses
- 6% Uplight
- <15% (vs DLC's 25% maximum requirement) of the total lumens fall in the 70-80° zone, reducing high angle brightness while providing superior vertical illumination
- Provides up to twice the vertical illumination recommended in RP-8-18

ELECTRICAL SYSTEM

- **Input Voltage:** 120-277V or 347-480V, 50/60Hz
- **Power Factor:** > 0.9 at full load
- **Total Harmonic Distortion:** < 20% at full load
- **Input Power:** Stays constant over life
- **Operating Temperature Range:** -40°C - + 40°C (-40°F - + 104°F)
- Designed with 0-10V dimming capabilities standard. Controls by others
- Integral 6kV surge suppression protection standard
- When code dictates fusing, a slow blow fuse or type C/D breaker should be used to address inrush current

REGULATORY & VOLUNTARY QUALIFICATIONS

- cULus Listed
- Suitable for wet locations
- Enclosure rated IP66 per IEC 60598. When ordered with LPL and LPM controls, enclosure rated IP65 per IEC 60598
- ANSI C136.2 6kV surge protection, tested in accordance with IEEE/ANSI C62.41.2
- Meets FCC Part 15, Subpart B, Class A limits for conducted and radiated emissions
- Luminaires with SWC, SWS, LRF, LPL or LPM options meet FCC Part 15, Subpart C limits for conducted and radiated emissions
- Meets Buy American requirements within ARRA
- RoHS compliant. Consult factory for additional details
- DLC Premium qualified. Some exceptions apply. Please refer to <https://www.designlights.org/search/> for most current information
- **CA RESIDENTS WARNING:** Cancer and Reproductive Harm – www.p65warnings.ca.gov

INTELLIGENT LIGHTING CONTROL OPTIONS

Limelight by Lutron is a wireless lighting control solution for outdoor and industrial facilities that provides remote control and management, saves energy, and enhances facility safety. This option includes factory-installed wireless control module and sensors that integrates data seamlessly into Lutron's existing data and management platform, Enterprise Vue.

SYNAPSE® SIMPLYSNAP Platform is a highly intuitive connected lighting solution featuring zone dimming, motion sensing, and daylight harvesting with utility-grade power monitoring and support of up to 1000 nodes per gateway. The system features a reliable and robust self-healing mesh network with a browser-based interface. The integrated platform takes the IG Series to a new performance plateau, providing extreme energy productivity, code compliance and a better light experience.

| Electrical Data* | | | | | | | |
|------------------|----------------------------|-------------------|------|------|------|--------|--------|
| Lumen Package | System Watts 120-480V** | Total Current (A) | | | | | |
| | | 120V | 208V | 240V | 277V | 347V** | 480V** |
| 4L | 33 | 0.28 | 0.16 | 0.14 | 0.12 | 0.10 | 0.07 |
| 7L | 60 | 0.52 | 0.30 | 0.26 | 0.22 | 0.17 | 0.13 |

* Electrical data at 25°C (77°F). Actual wattage may differ by +/- 10% when operating between 120-277V or 347-480V +/- 10%
** Synapse and Limelight by Lutron wireless options available with 120-277V only

| IG Series (Version B) Ambient Adjusted Lumen Maintenance ¹ | | | | | |
|---|-------------|-------------------------------------|-------------------------------------|--------------------------------------|---------------------------------------|
| | Initial LMF | 25K hr Reported ² LMF | 50K hr Reported ² LMF | 75K hr Estimated ³ LMF | 100K hr Estimated ³ LMF |
| 0°C (32°F) | 1.03 | 1.02 | 1.02 | 1.02 | 1.02 |
| 5°C (41°F) | 1.02 | 1.01 | 1.01 | 1.01 | 1.01 |
| 10°C (50°F) | 1.02 | 1.01 | 1.01 | 1.01 | 1.01 |
| 15°C (59°F) | 1.01 | 1.00 | 1.00 | 1.00 | 1.00 |
| 20°C (68°F) | 1.01 | 1.00 | 1.00 | 1.00 | 1.00 |
| 25°C (77°F) | 1.00 | 0.99 | 0.99 | 0.99 | 0.99 |
| 30°C (86°F) | 0.99 | 0.98 | 0.98 | 0.98 | 0.98 |
| 35°C (95°F) | 0.99 | 0.98 | 0.98 | 0.98 | 0.98 |
| 40°C (104°F) | 0.98 | 0.97 | 0.97 | 0.97 | 0.97 |

¹ Lumen maintenance values at 25°C (77°F) are calculated per IES TM-21 based on IES LM-80 report data for the LED package and in-situ luminaire testing. Luminaire ambient temperature factors (LATF) have been applied to all lumen maintenance factors. Please refer to the [Temperature Zone Reference Document](#) for outdoor average nighttime ambient conditions.

² In accordance with IES TM-21, Reported values represent interpolated values based on time durations that are up to 6x the tested duration in the IES LM-80 report for the LED.

³ Estimated values are calculated and represent time durations that exceed the 6x test duration of the LED.

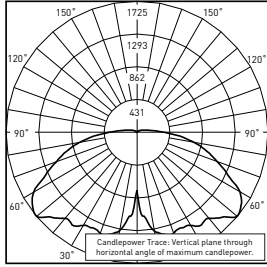
Accessories

| Field-Installed | |
|---|---|
| Hand-Held Remote XA-SENSREM - For successful implementation of the programmable multi-level option, a minimum of one hand-held remote is required | Snap-On Side Light Shield IG-SLS - 16ga. aluminum construction w/clear anodized finish - May not be used in combination with the IG-BG accessory - Order one shield per side as needed - IES files available at http://creelighting.com/products/outdoor/parking-structure/ig-series |
| Bird Shroud Kit IG-BG - For use only with pendant mount - 22ga. aluminum construction w/clear anodized finish - May not be used in combination with the IG-SLS accessory | |
| Synapse Wireless Control Accessories | |
| SimplySNAP On-Site Controller SS450-002 - Verizon® LTE-enabled - Designed for indoor applications - Refer to SS450-002 spec sheet for details | Daylight Harvesting Kit KIT-SBOX-DLH - Required for Title 24 compliance - Refer to KIT-SBOX-DLH spec sheet for details |
| SimplySNAP Central Base Station CBSSW-450-002 - Includes On-Site Controller (SS450-002) and 5-button switch - Indoor and Outdoor rated - Refer to CBSSW-450-002 spec sheet for details | Outdoor Antennas (Optional, for increased range, 8dB gain) KIT-ANT420SM - Kit includes antenna, 20' cable and bracket KIT-ANT360 - Kit includes antenna, 30' cable and bracket KIT-ANT600 - Kit includes antenna, 50' cable and bracket - Refer to Outdoor antenna spec sheet for details |
| Building Management System (BMS) Gateway BMS-GW-002 - Required for BACnet integration - Refer to BMS-GW-002 spec sheet for details | Synapse Wireless Sensor WSN-DPM - Motion and light sensor - Control multiple zones - Refer to WSN-DPM spec sheet for details |

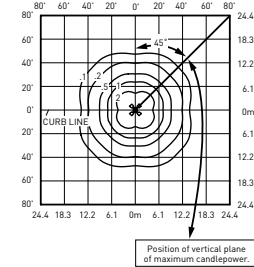
Photometry

All published luminaire photometric testing performed to IES LM-79-08 standards. To obtain an IES file specific to your project consult: <http://creelighting.com/products/outdoor/parking-structure/ig-series>

55



CESTL Test Report #: PL14554-001B
IG-B-NM-55-7L-40K8-UL-WH
Initial Delivered Lumens: 7,587



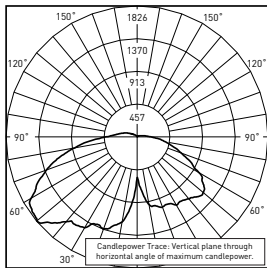
IG-B-NM-55-7L-40K8-UL-WH
Mounting Height: 15' (4.6m) A.F.G.
Initial Delivered Lumens: 7,550
 Initial FC at grade

Type V Short Distribution

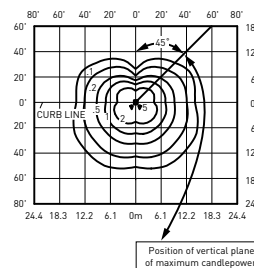
| Lumen Package | 3000K/3500K/4000K/5700K | |
|---------------|---------------------------|----------------------------|
| | Initial Delivered Lumens* | BUG Ratings** Per TM-15-11 |
| 4L | 3,860 | B2 U3 G2 |
| 7L | 7,550 | B3 U3 G2 |

* Initial delivered lumens at 25°C (77°F). Actual production yield may vary between -10 and +10% of initial delivered lumens
 ** For more information on the IES BUG (Backlight-Uplight-Glare) Rating visit: <https://www.ies.org/wp-content/uploads/2017/03/TM-15-11BUGRatingsAddendum.pdf>

55 w/IG-SLS ACCESSORY



CESTL Test Report #: PL12228-002C
IG--55-J-40K-UL-WH w/Single IG-SLS**
Initial Delivered Lumens: 6,540



IG-B-NM-55-7L-40K8-UL-WH w/Single IG-SLS
Mounting Height: 15' (4.6m) A.F.G.
Initial Delivered Lumens: 6,800
 Initial FC at grade

Note: For IES files for this and additional shielding configurations, please visit <http://creelighting.com/products/outdoor/parking-structure/ig-series>

Type V Short Distribution w/Side Light Shield

| Lumen Package | Shields | 3000K/3500K/4000K/5700K | |
|---------------|--------------|---------------------------|----------------------------|
| | | Initial Delivered Lumens* | BUG Ratings** Per TM-15-11 |
| 4L | Single | 3,470 | B2 U3 G2 |
| | Two Opposite | 3,050 | B1 U3 G1 |
| | Two Adjacent | 3,050 | B2 U3 G2 |
| | Three | 2,550 | B1 U3 G1 |
| 7L | Four | 2,010 | B1 U1 G1 |
| | Single | 6,800 | B3 U3 G3 |
| | Two Opposite | 5,975 | B2 U3 G2 |
| | Two Adjacent | 5,975 | B3 U3 G3 |
| | Three | 4,980 | B2 U3 G2 |
| | Four | 3,930 | B2 U1 G1 |

* Initial delivered lumens at 25°C (77°F). Actual production yield may vary between -10 and +10% of initial delivered lumens
 ** For more information on the IES BUG (Backlight-Uplight-Glare) Rating visit: <https://www.ies.org/wp-content/uploads/2017/03/TM-15-11BUGRatingsAddendum.pdf>