

FUJIFILM Blade Lite™

Product Brochure



FUJIFILM

The FUJIFILM Blade Lite™ combines the latest in capacitive through-glass touch technology, chemically toughened glass, full high definition LED display and a PC rated to operate in difficult environments.

***When a tablet isn't quite enough,
Introducing the FUJIFILM Blade Lite™***

The FUJIFILM Blade Lite™ is FUJIFILM's newest entry level kiosk. It uses Lenovo's panel PC technology to provide a highly functional 19.5" multi-touch screen format to present a larger format display than a tablet can provide.

Model options are;

- Counter top
- Wall Mount, or
- Pedestal

It also allows the kiosk to be configured to attach additional peripherals through the on-board USB 2.0 ports.

Features

Optional 10-Point Multitouch Technology

All ten fingers can accurately interact with the screen at once, using simple, intuitive gestures for precise control with greater accuracy and flexibility.

Solid Security

Rest easier knowing your PC has USB port disablement, to help prevent data theft and reduce network risks of unauthorized use of your storage devices. Smart USB protection means your ports will still work for your keyboard and mouse, but files cannot be copied off your PC to a USB storage drive. And Computrace support means you can remotely track and secure your valuable investment

Energy Savings

E63z is ENERGY STAR- and GREENGUARD-compliant and certified EPEAT® Silver, which translates to less power being consumed and less money being spent. Plus, Lenovo Desktop Power manager puts you in control of saving energy and keeping costs down – so you can feel good about helping the planet and your bottom line.

Customizable Facshia

Customizable facshia to suit your retail environment or branding



Counter Top



Top: Wall Mount
Left: Pedestal

Multiple Peripheral Options

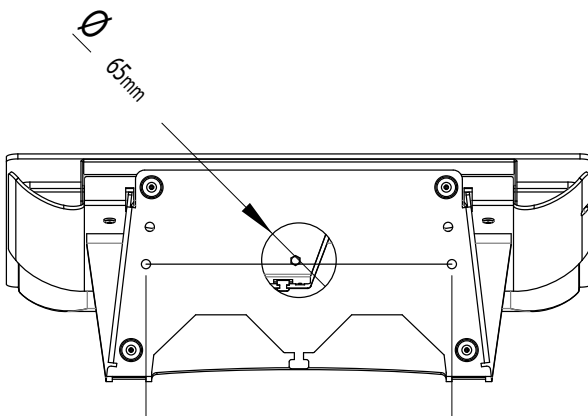
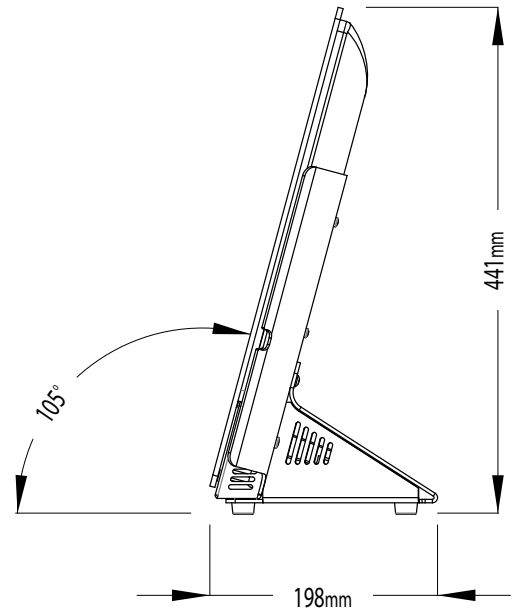
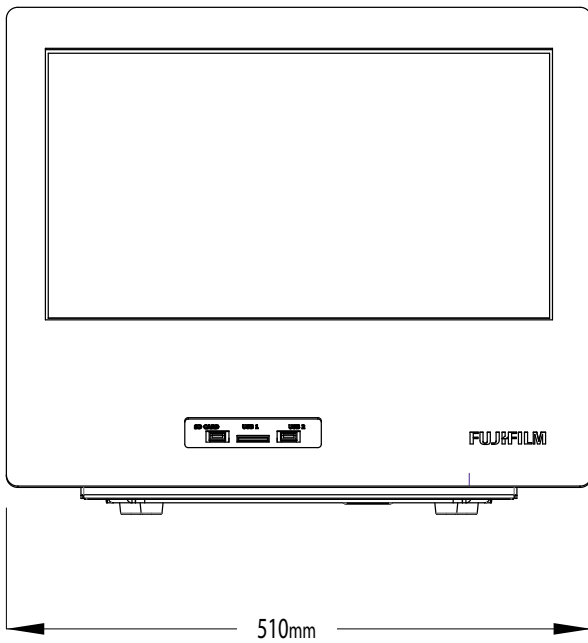
The FUJIFILM Blade Lite™ is designed to accommodate a number of peripheral options. Whether you want a payment terminal with EFTPOS and receipt printer, or a barcode lookup kiosk or a foyer kiosk – the FUJIFILM Blade Lite™ can accommodate most self-service requirements.

Options:

- RFID/NFC
- Thermal Receipt Printing
- Barcode Scanning (2D & 3D)
- EFTPOS
 - > Credit and Debit Card
 - > (with optional PayWave)
- Tailorable Branding and Colour Options

Dimensions

FUJIFILM Blade Lite™



Specification

Processor

Intel® Pentium® J2900 Processor (2M Cache, 2.41 GHz), Burst Technology (2.66GHz), Intel HD Graphics
Intel Core™ i3-4005U Processor (3M Cache, 1.70GHz), Intel HD Graphics 4400

Operating System

Windows 7 64-bit

Display

19.5" HD+ (1600x900), 250 nits, 16:9 aspect ratio, 1000:1 contrast ratio, wide viewing angle (horizontal: +/- 85°; vertical: +/- 80°)

Multi-touch

Projected Capacitive Touch (PTC) technology. Supports 10-point touch

Camera

720p camera, 1.0-megapixel, fixed focus, digital microphone

Storage

500GB, 5400rpm, SATA 6.0Gb/s

Chassis Dimensions (Head unit) W x D x H

488 x 62 x 346 mm

Weight

7kg max

Power Supply

65W, autosensing, 88% PSU

Audio Support

HD Audio, Realtek ALC233 with 2 internal stereo speakers

Wireless

11 b/g/n wireless, PCIe Half Mini Card, Realtek® RTL8723BE, WiFi + Bluetooth® 4.0 combo adapter, 1x1

Ethernet

Gigabit Ethernet port, Realtek RTL8111G, Wake on LAN®

Chipset

Intel® I Syste® m-on-Chip (SoC) platform

Rear Ports

2 x USB 2.0
Ethernet (RJ45)
HDMI-out
DC-IN

FUJIFILM

For more info: www.fujifilm.com.au