

Acoustical Shells

Spec Sheet

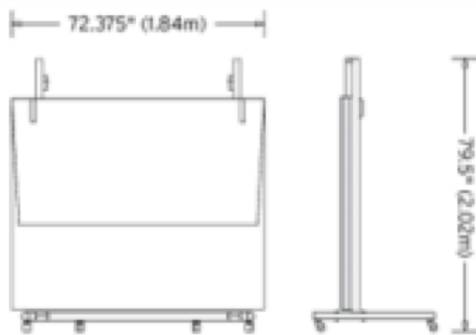
Quickly move and setup these acoustical shells from practice room to concert stage



Acoustical Shell Views



SIDE VIEW: *Storage Position*



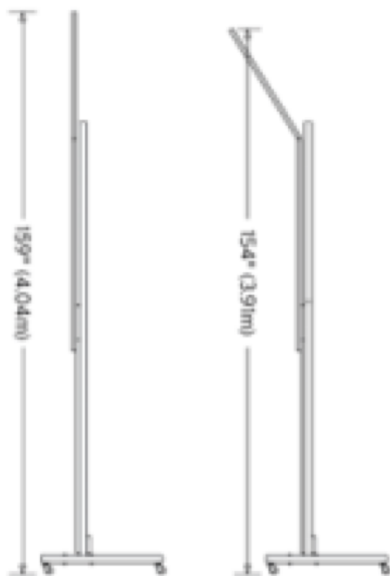
Function

Self-standing portable shell reflects a maximum range of audible frequencies.

Size

Shell passes through standard doorways in the storage position and range in setup heights from 8'4" to 13'3." One shell is 6'3/8" wide.

SIDE VIEW: *Performance Position*



Setup

Shell is positioned and setup by one person with no tools or loose parts (a second person to spot ceiling obstructions is recommended). Base is fitted with casters making storage truck not necessary. Raising to performance position or lowering to storage position requires no more than 15 pounds of lift effort.

Storage

Shells nest compactly in storage.

Panel Construction

Panels are a "sandwich" laminate 7/8" thick. Core is a 3/4" honeycomb. Surfaces are .060 ABS plastic in a Warm Beige color. Side channel is made of custom aluminum channel.

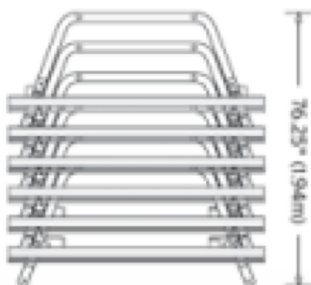
TOP VIEW:



Frame Construction

Base tube is 2" OD EWFC steel. Inner tube is 1 3/4" diameter EWFC steel. Outer tube is 2" diameter EWFC steel. Weight-assists (two per unit) are 30-pound cast gray iron. Pulley cable is a 3/22" diameter galvanized wire rope. Casters are 2" twin 1/2"-13 x 3/4" and rated at 200 pounds each.

TOP VIEW: *Nested Storage Position*



Features and Benefits



Tower With Canopy

- Improve sound for both performers and audience with better blend, mix and projection.
- Reflect a maximum range of audible frequencies.
- Reduce maintenance with tough, impact resistant ABS plastic “skin” on rigid 7/8”-thick panels.
- Realize maximum durability with strong steel frame.
- Special canopy tool not required for canopy set-up Counterweight-Pulley

Setup

- Save setup time as top panels glide into performance position with minimal, 15-pound lift effort.
- Save labor as only one person (even someone of slight build) is needed to raise or lower the Shell.

Telescoping Height Adjustment

- Enjoy improved sound in various rooms at any height from 8’4” to 13’3.”
- Reduce labor effort as Shell, measuring 79’5” tall in the storage position, will pass through standard doorways.

Twin Casters

- Save time as shell rolls easily to and from safe-level storage area (if Shell must be lifted, its 256-lb. weight is more easily managed).
- Save labor as only one person is needed to roll shell (when in storage space).

Nested Storage

- Save space as shells nest compactly in storage (six nested Shells occupy less than 39 square feet).