

Choral Fold and Roll Riser

Spec Sheet

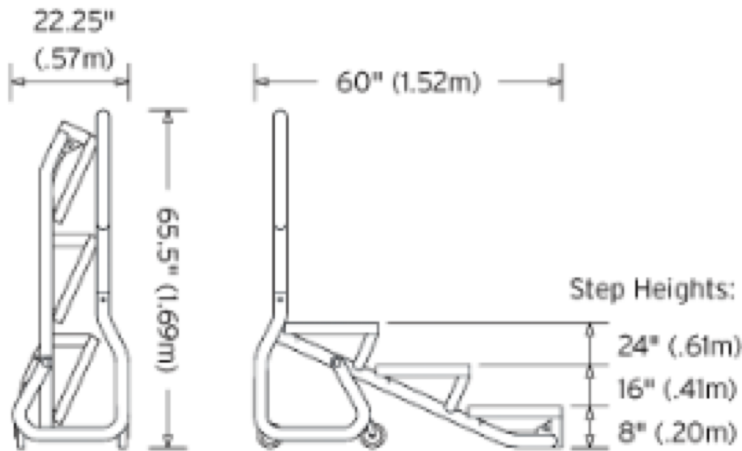
So easy to setup, one person can do it



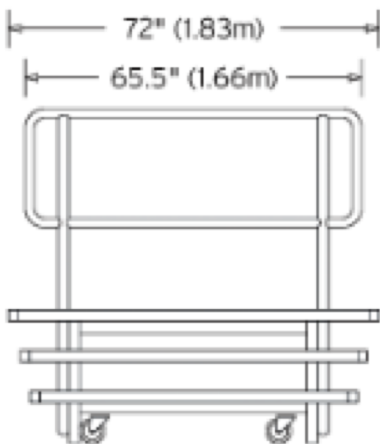
Fold & Roll Riser Views



END VIEW: Storage and Assembled Positions

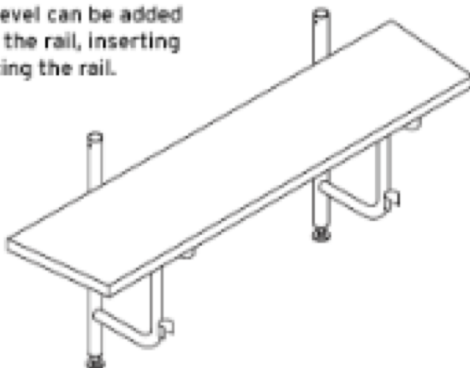


SIDE VIEW: Assembled Position



FOURTH LEVEL ADD-ON:

An optional fourth level can be added by simply removing the rail, inserting the step, and replacing the rail.



Patents: #4,843,792, #4,845,915

PARTS # Description Weight - Shipping Dim.

- 340068 One section 274 36" x 96" x 56"
- 340069 Two section 454 36" x 96" x 56"
- 340070 Three section 607 36" x 96" x 56"
- 340071 Four section 833 72" x 96" x 56"
- 340072 Five section 986 72" x 96" x 56"
- 340073 Six section 1166 72" x 96" x 56"
- 340074 Seven section 1365 108" x 96" x 56"
- 340113 Add-on package 153 36" x 72" x 13" (includes one understructure, four treads and one 6' back rail)
- 104679 4'8" back rail 27 3" x 58" x 80"
- 323212 Tie down 0.5 2" x 2" x 2"
- 323210 T-wrench 1 4" x 6" x 1"

Technical Specifications



Function: Choir riser will enhance sound projection and sight lines for choral performances and practices.

Portability: Each component is easy to handle by one person. The riser can be set up in a practice room, on stage and at off-site performances.

Stability: Tripodal understructures, interlocking sections and honeycomb-core treads will solidify riser.

Configurations: Risers can be set up in either curved or straight configuration.

Safety: To facilitate safe handling, no part weighs more than 33 pounds. Back and side rails protect against accidental tumbles.

Treads: Treads are resonance-absorbing honeycomb-core laminate.

Cart & Storage: Transport holds three complete sections of riser and occupy a storage area of 28" x 73".

Options: Tie downs to fasten treads to understructure using a 5/16" T-wrench.

Performance: Certified uniform distributed live-load capacity of 100 pounds per square foot (2240 pounds per four-tread section).

Understructure Construction:

Understructure is made of rectangular aluminum. Folding frame is made of square steel tubing. Understructure accommodates four seven-inch rises, the height of the top tread being 28". Understructures are finished with black baked-on powder-coated finish. Locator nodes on understructures are one-inch diameter tapered steel and guide treads into location and proper alignment and fastens them into place without tools, clamps or clips.

Tread Construction: Treads are two inches thick and made of laminated honeycomb core sandwiched between two sheets of Douglas fir plywood. Treads have anodized extruded aluminum edging and injection-molded polycarbonate corners. One side of tread is finished with commercial-grade polyolefin carpet in gray color, the other side with textured polypropylene in black. Treads are in trapezoidal shape and 16" wide. The biggest is 72" at its longest dimension and the smallest shall is 56" at its shortest dimension.

Features and Benefits



Light-weight Parts

- Enhance your music on the road with the same sight lines and sound projection to which you are accustomed at home.
- Save on your initial investment risers by using the same riser in the practice room, on stage, and on tour.
- Save on labor – one person can quickly set up the riser without tools.
- Save time finding a setup crew because nearly anyone can help – the heaviest piece weights only 33 pounds. The understructure has a convenient handle that allows you to carry it at your side with little effort.

Stability

- Feel like you are on permanent platforms because tripodal understructures, interlocking sections and two-inch thick treads solidify the riser.

Honeycomb-core Treads

- Handle the treads more easily because of their lighter weight (compared to solid-core tread of comparable strength).
- Enjoy a performance free of undesirable resonance and the “drumhead” effect of foot noise.
- Set up riser in either straight or curved configuration simply by turning treads around.
- Choose from two performance surfaces to best suit your event: each tread has two surfaces, gray carpet on one side and black textured polypropylene on the other.

Safety Rails

- Protect against accidental tumbles from back or sides.

Transport

- Move three complete sections on one transport.

Save Storage Space

- Three complete sections store in area 28" x 73". Set up your riser in almost any room because the transport fits through standard doorways.

Contact Us! Email: sales@mcdonnell-intl.com