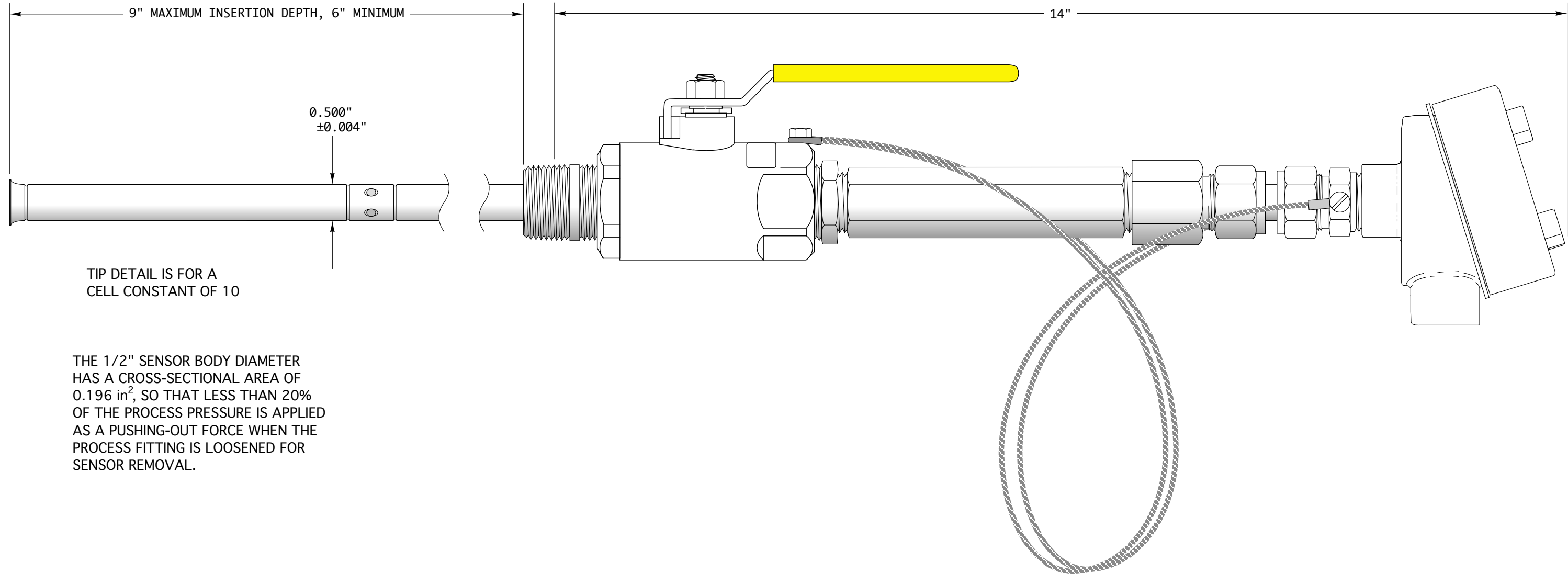


1

2

3

REVISION HISTORY			
REV	DESCRIPTION	DATE	APPROVED



TIP DETAIL IS FOR A
CELL CONSTANT OF 10

THE 1/2" SENSOR BODY DIAMETER
HAS A CROSS-SECTIONAL AREA OF
0.196 in², SO THAT LESS THAN 20%
OF THE PROCESS PRESSURE IS APPLIED
AS A PUSHING-OUT FORCE WHEN THE
PROCESS FITTING IS LOOSENED FOR
SENSOR REMOVAL.

0" 1" 2" 3" 4" 5"

TOLERANCES		DRAWN B
1 Place: ± .1	3 Places: ± .005	CHECKED BY BH
2 Places: ± .02	4 Places: ± .0005	APPROVED BY BH
Angular: ± 0.25°		

FOXCROFT EQUIPMENT & SERVICE CO			
TITLE SCON10-HT WITH VALVE INSERTION ASSEMBLY			
SIZE B	PROJECT -	DRAWING NO. SCON10-HT	REV /
SCALE 0.75X	MODEL -	SHEET 1 OF 1	

1

2

3

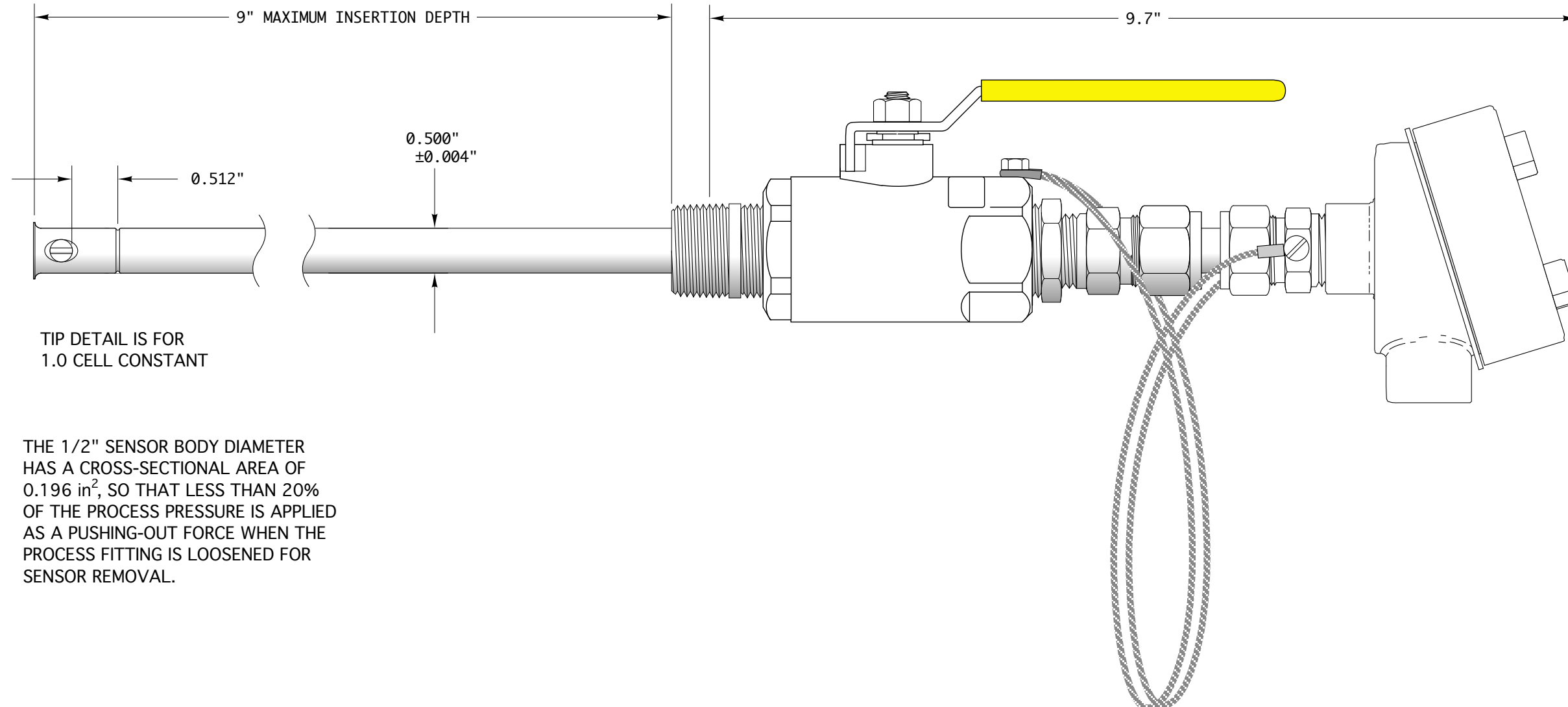
1

2

3

REVISION HISTORY

REV	DESCRIPTION	DATE	APPROVED



A

A

B

B

0" 1" 2" 3" 4" 5"

FOXCROFT EQUIPMENT & SERVICE CO

TOLERANCES	
1 Place: ± .1	3 Places: ± .005
2 Places: ± .02	4 Places: ± .0005
Angular: ± 0.25°	

DRAWN BY	
CHECKED BY	BH
APPROVED BY	BH

TITLE SCON10-HT WITH VALVE INSERTION ASSEMBLY			
SIZE B	PROJECT -	DRAWING NO. SCON10-1.0-HT	REV /
SCALE 0.75X	MODEL -	SHEET 1 OF 1	

1

2

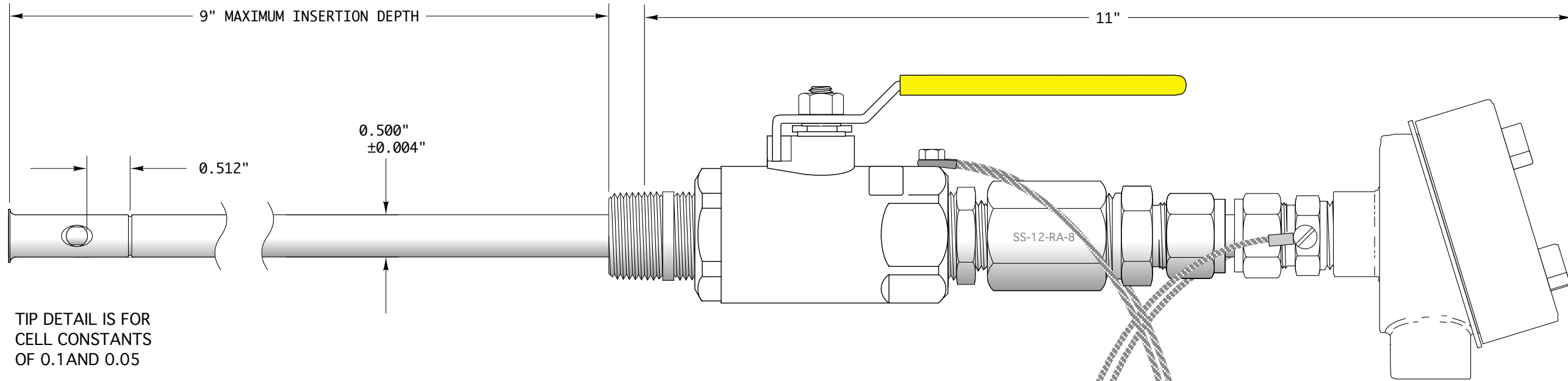
3

1

2

3

REVISION HISTORY			
REV	DESCRIPTION	DATE	APPROVED



THE 1/2" SENSOR BODY DIAMETER HAS A CROSS-SECTIONAL AREA OF 0.196 in², SO THAT LESS THAN 20% OF THE PROCESS PRESSURE IS APPLIED AS A PUSHING-OUT FORCE WHEN THE PROCESS FITTING IS LOOSENED FOR SENSOR REMOVAL.

0" 1" 2" 3" 4" 5"

FOXCROFT EQUIPMENT & SERVICE CO.

TOLERANCES	
1 Place: ± .1	3 Places: ± .005
2 Places: ± .02	4 Places: ± .0005
Angular: ± 0.25°	

DRAWN BY	
CHECKED BY	BH
APPROVED BY	BH

TITLE AST10-HT WITH VALVE INSERTION ASSEMBLY			
SIZE B	PROJECT -	DRAWING NO. SCON10-0.1-HT	REV /
SCALE 0.75X	MODEL -	SHEET 1 OF 1	

1

2

3