



permobil

Creative Mobility Division

Manual Wheelchairs

2701 West Court St, Pasco Wa, 99301
P: +1 509.586.6117 800.545.2266
F: +1 509.586.2413 866.586.2413

Creative Mobility Division

Table of contents:

Click desired section

[Accessory Options](#)

[Frame Modifications](#)

[Footrest Options](#)

[Backrest Options](#)

[Sideguards and Armrests](#)

[Seating and Upholstery](#)

[Push Handle Options](#)

[Finish Options](#)

[Full Chair Options](#)

[Wheel and Tire Options](#)

Accessory Options

Creative Mobility Division

Please Email or Fax this page with the Order Form to TiLite Customer Service, orders@tilite.com or 866.586.2413 or +1 509.586.2413

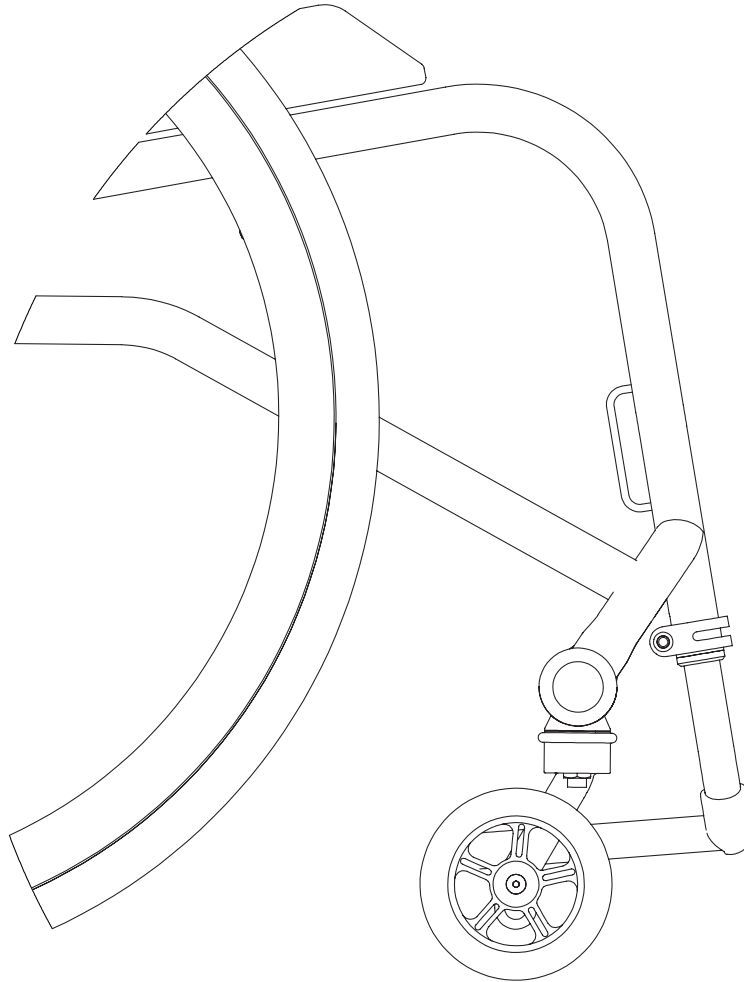
Dealer Name: _____

Customer Name: _____

Account Number: _____

PO Number: _____

EZ-Ti ID: _____



TITANIUM WELDED ON CALF STRAP LOOPS

CMD Number: 34

Available On: TiLite TR, TiLite TRA, TiLite ZR, TiLite ZRA

Requirements:

Only available on Titanium frames.

Notes:

May not work with all chair configurations.

Special Instructions



2701 West Court St, Pasco Wa, 99301
P: +1 509.586.6117 800.545.2266
F: +1 509.586.2413 866.586.2413

△ NOTE: Permobil's warranty does not cover Creative Mobility Division frames and frame components, unless Permobil determines that the frame or frame component was defectively manufactured.

Creative Mobility Division

Please Email or Fax this page with the Order Form to TiLite Customer Service, orders@tilite.com or 866.586.2413 or +1 509.586.2413

Dealer Name: _____

Customer Name: _____

Account Number: _____

PO Number: _____

EZ-Ti ID: _____

CASTER PIN LOCKS

CMD Number: 46

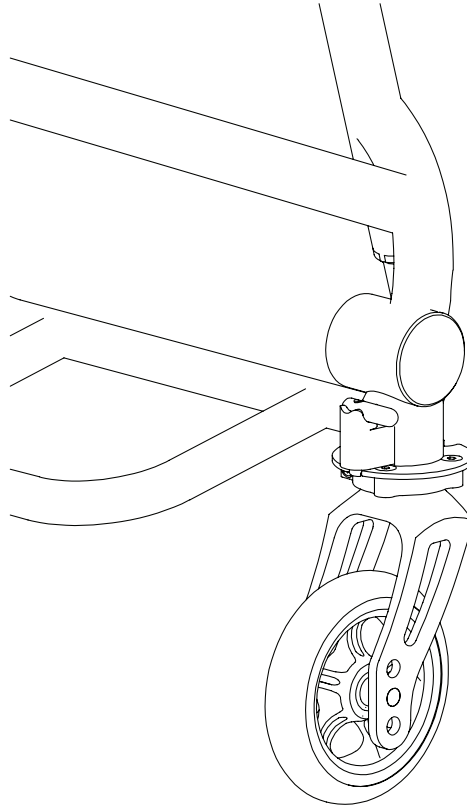
Available On: TiLite TR, TiLite TRA, TiLite ZR, TiLite ZRA, TiLite Aero T, TiLite Aero Z, TiLite Aero X, TiLite 2GX

Requirements:

Available with standard fork style.
Available on all chairs except Twist.
Not available with titanium fork stems.

Notes:

May not work with all chair configurations.



Special Instructions



2701 West Court St, Pasco Wa, 99301
P: +1 509.586.6117 800.545.2266
F: +1 509.586.2413 866.586.2413

△ NOTE: Permobility's warranty does not cover Creative Mobility Division frames and frame components, unless Permobility determines that the frame or frame component was defectively manufactured.

Creative Mobility Division

Please Email or Fax this page with the Order Form to TiLite Customer Service, orders@tilite.com or 866.586.2413 or +1 509.586.2413

Dealer Name: _____

Customer Name: _____

Account Number: _____

PO Number: _____

EZ-Ti ID: _____

TITANIUM SINGLE SWIVEL CASTER ANTI-TIP

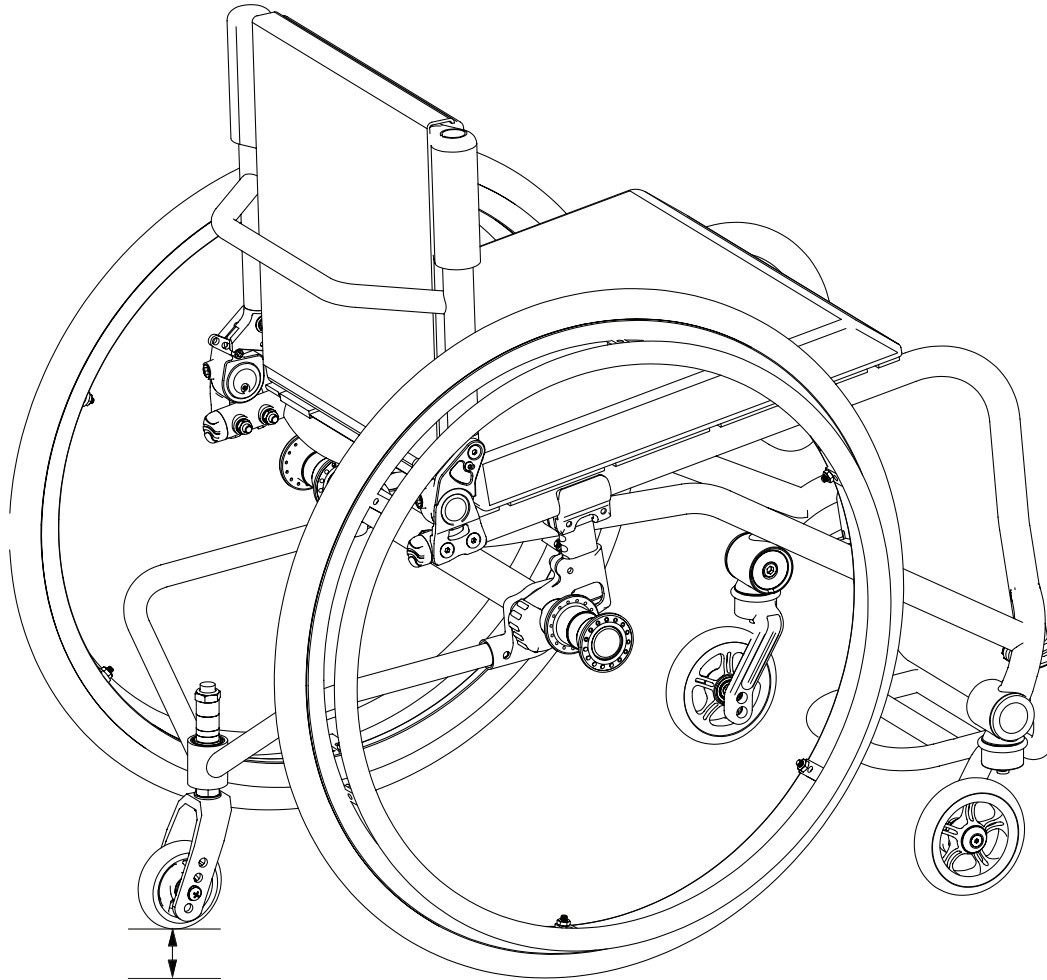
CMD Number: 69

Available On: TiLite ZRA, TiLite Aero Z, TiLite TRA, TiLite Aero T

Requirements:

Notes:

Wheel to floor dimension +/- 1/4" _____



Special Instructions



2701 West Court St, Pasco Wa, 99301
P: +1 509.586.6117 800.545.2266
F: +1 509.586.2413 866.586.2413

△ NOTE: Permobil's warranty does not cover Creative Mobility Division frames and frame components, unless Permobil determines that the frame or frame component was defectively manufactured.

Frame Modifications

Creative Mobility Division

Please Email or Fax this page with the Order Form to TiLite Customer Service, orders@tilite.com or 866.586.2413 or +1 509.586.2413

Dealer Name: _____

Customer Name: _____

Account Number: _____

PO Number: _____

EZ-Ti ID: _____

UNIQUE CROSSTUBE DEPTH

CMD Number: 5

Available On: TiLite TR, TiLite TRA, TiLite Aero T, TiLite ZR, TiLite ZRA, TiLite Aero Z

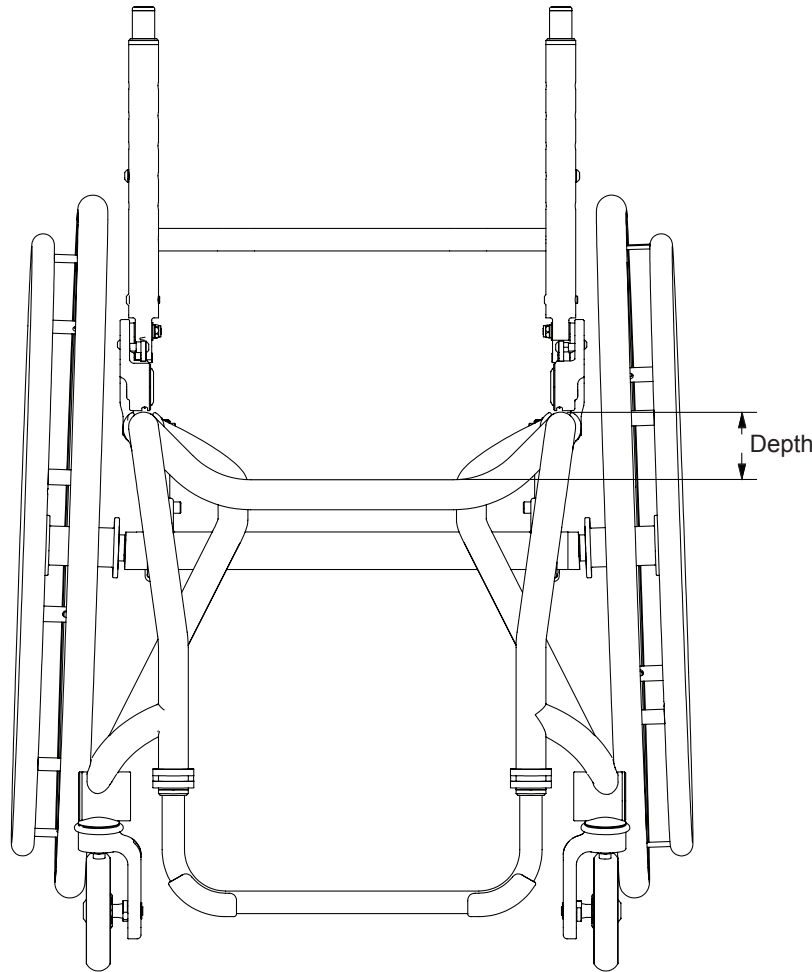
Requirements:

Seat pan required for cross tubes with depths of 1" or less.

Notes:

May not work with all chair configurations.

Depth: _____



Special Instructions



2701 West Court St, Pasco Wa, 99301
P: +1 509.586.6117 800.545.2266
F: +1 509.586.2413 866.586.2413

△ NOTE: Permobil's warranty does not cover Creative Mobility Division frames and frame components, unless Permobil determines that the frame or frame component was defectively manufactured.

Creative Mobility Division

Please Email or Fax this page with the Order Form to TiLite Customer Service, orders@tilite.com or 866.586.2413 or +1 509.586.2413

Dealer Name: _____

Customer Name: _____

Account Number: _____

PO Number: _____

EZ-Ti ID: _____

UNIQUE HANGER FRONT ANGLE

CMD Number: 6

Available On: TiLite Aero X, TiLite 2GX

Requirements:

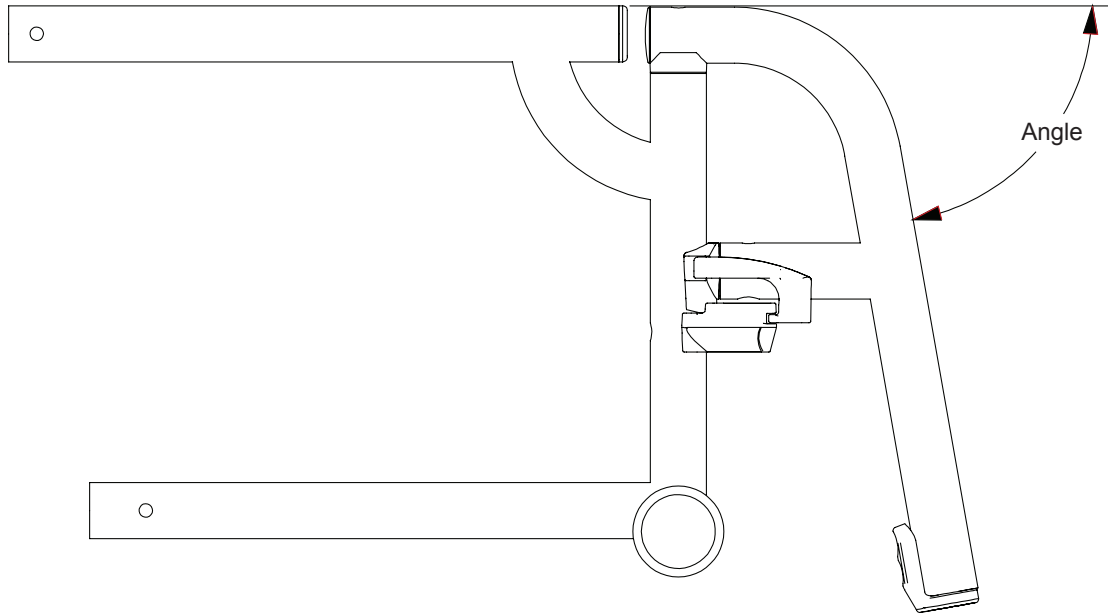
Notes:

Angle must be between 45° and 90°.

Please round to the nearest whole degree.

Higher angles may cause clearance problems with some caster combinations. May not work with all chair configurations.

Angle: _____



Special Instructions



2701 West Court St, Pasco Wa, 99301
P: +1 509.586.6117 800.545.2266
F: +1 509.586.2413 866.586.2413

△ NOTE: Permobil's warranty does not cover Creative Mobility Division frames and frame components, unless Permobil determines that the frame or frame component was defectively manufactured.

Creative Mobility Division

Please Email or Fax this page with the Order Form to TiLite Customer Service, orders@tilite.com or 866.586.2413 or +1 509.586.2413

Dealer Name: _____

Customer Name: _____

Account Number: _____

PO Number: _____

EZ-Ti ID: _____

ADAPTED SEAT DEPTH FOR RIGID CHAIRS

CMD Number: 10

Available On: TiLite TR, TiLite TRA, TiLite ZR, TiLite ZRA, TiLite Aero T, TiLite Aero Z

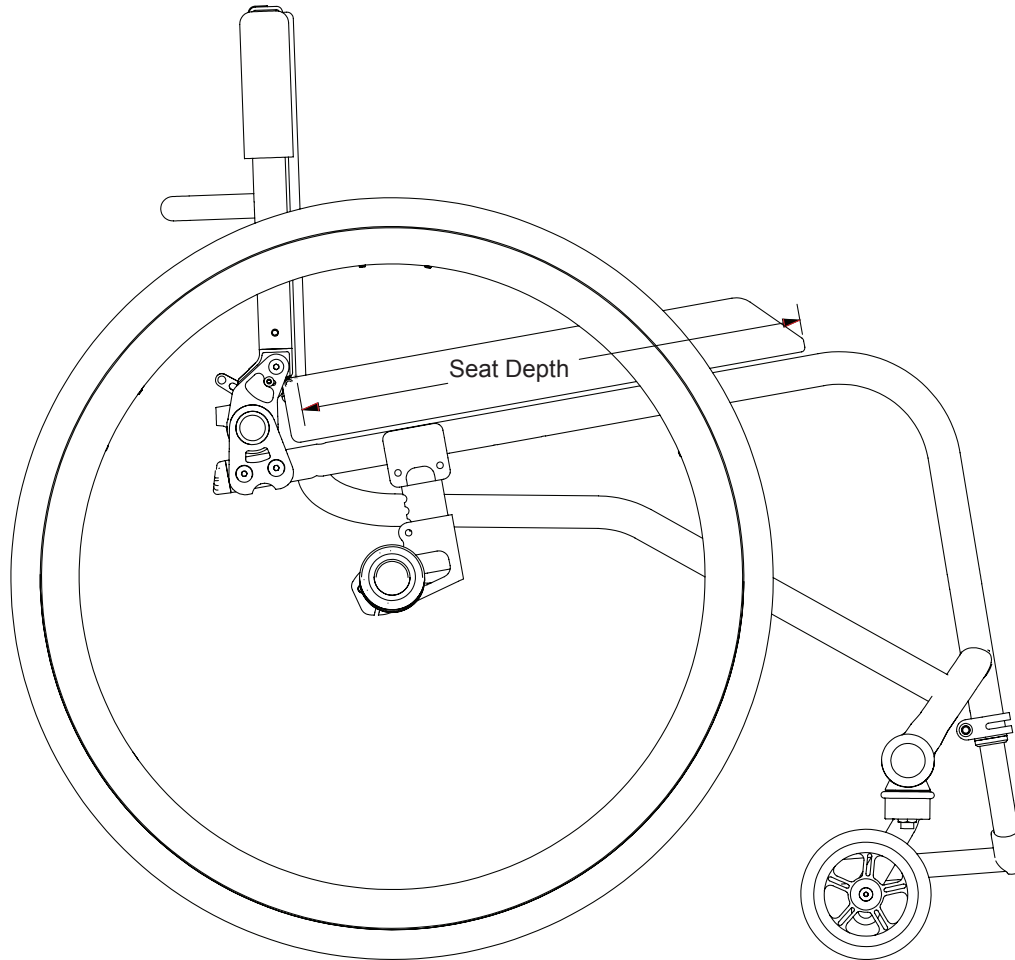
Requirements:

Only available on rigid frames.

Notes:

Please round desired seat depth to the nearest 1/2". May not work with all chair configurations.

Seat Depth: _____



Special Instructions



2701 West Court St, Pasco Wa, 99301
P: +1 509.586.6117 800.545.2266
F: +1 509.586.2413 866.586.2413

△ NOTE: Permobil's warranty does not cover Creative Mobility Division frames and frame components, unless Permobil determines that the frame or frame component was defectively manufactured.

Creative Mobility Division

Please Email or Fax this page with the Order Form to TiLite Customer Service, orders@tilite.com or 866.586.2413 or +1 509.586.2413

Dealer Name: _____

Customer Name: _____

Account Number: _____

PO Number: _____

EZ-Ti ID: _____

ADAPTED SEAT WIDTH

CMD Number: 11

Available On: TiLite TR, TiLite TRA, TiLite Aero T, TiLite ZR, TiLite ZRA, TiLite Aero Z

Requirements:

Only available for rigid frames.

Seat width of 10" or greater.

22" max seat width.

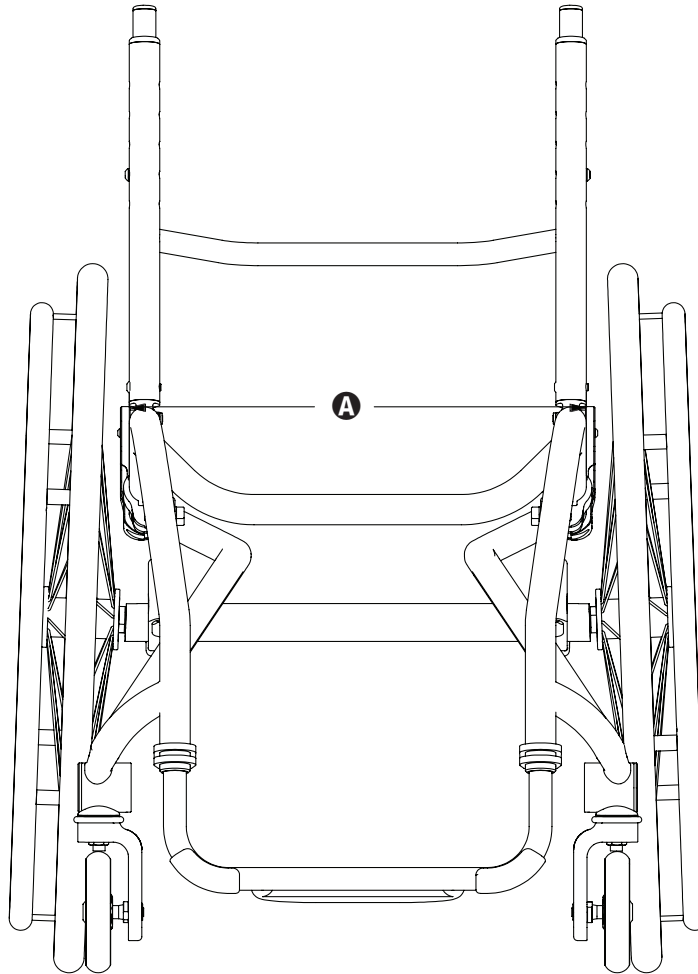
Seat widths greater than 20" must have two cross tubes.

Non-standard seat width must be written in 1/4" increments.

Notes:

May not work with all chair configurations.

Seat Width: _____



Special Instructions



2701 West Court St, Pasco Wa, 99301
P: +1 509.586.6117 800.545.2266
F: +1 509.586.2413 866.586.2413

△ NOTE: Permobil's warranty does not cover Creative Mobility Division frames and frame components, unless Permobil determines that the frame or frame component was defectively manufactured.

Creative Mobility Division

Please Email or Fax this page with the Order Form to TiLite Customer Service, orders@tilite.com or 866.586.2413 or +1 509.586.2413

Dealer Name: _____

Customer Name: _____

Account Number: _____

PO Number: _____

EZ-Ti ID: _____

ADAPTED FRONT ANGLE

CMD Number: 14

Available On: TiLite TR, TiLite TRA, TiLite ZR, TiLite ZRA, TiLite Aero T, TiLite Aero Z

Requirements:

Only available for rigid frames.

Notes:

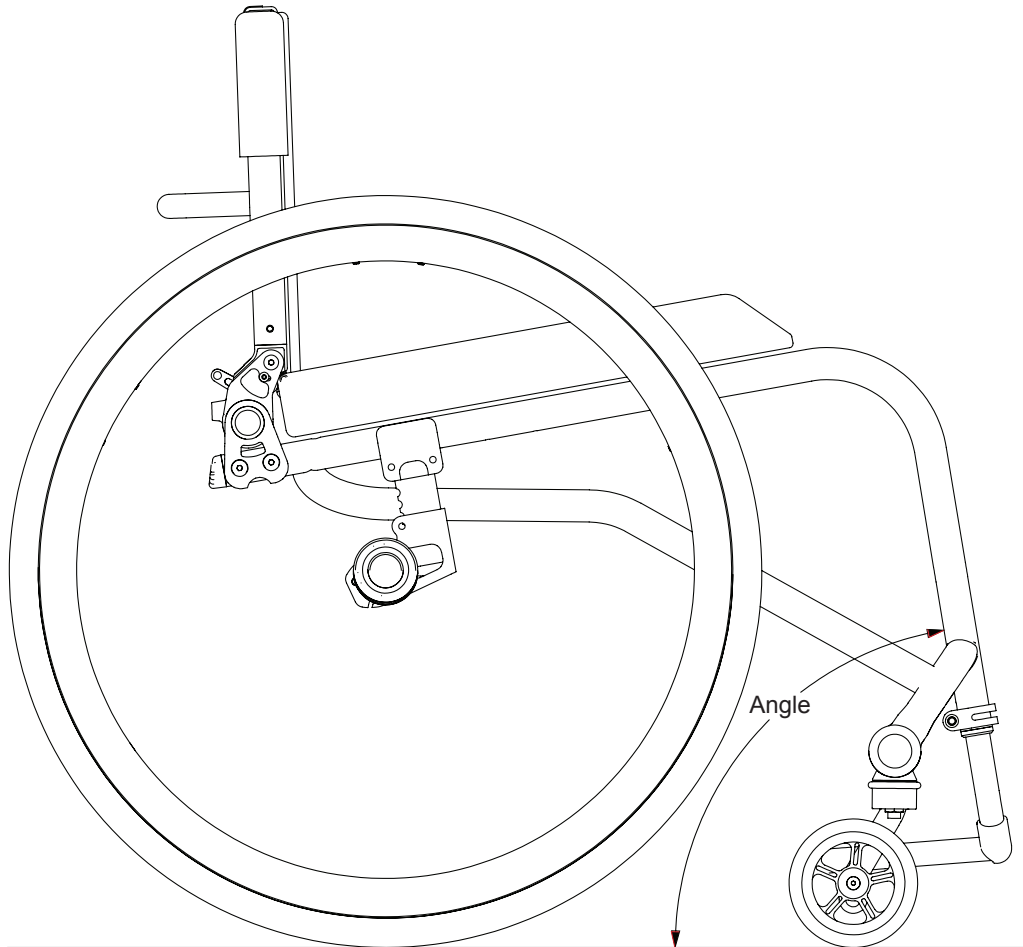
Angles close to 90° may cause interference with some caster options.

Angle must be between 60° and 90°.

Please round to nearest whole degree.

May not work with all chair configurations.

Angle: _____



Special Instructions



2701 West Court St, Pasco Wa, 99301
P: +1 509.586.6117 800.545.2266
F: +1 509.586.2413 866.586.2413

△ NOTE: Permobil's warranty does not cover Creative Mobility Division frames and frame components, unless Permobil determines that the frame or frame component was defectively manufactured.

Creative Mobility Division

Please Email or Fax this page with the Order Form to TiLite Customer Service, orders@tilite.com or 866.586.2413 or +1 509.586.2413

Dealer Name: _____

Customer Name: _____

Account Number: _____

PO Number: _____

EZ-Ti ID: _____

ADAPTED CASTER PLACEMENT

CMD Number: 62

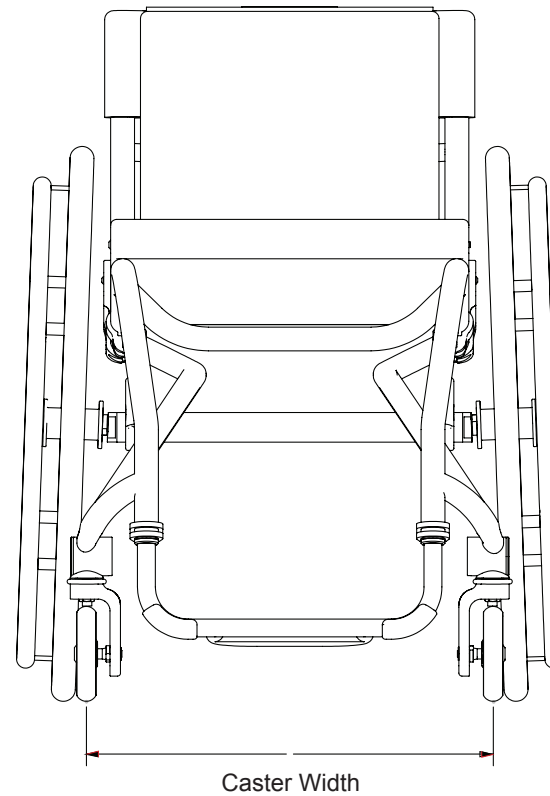
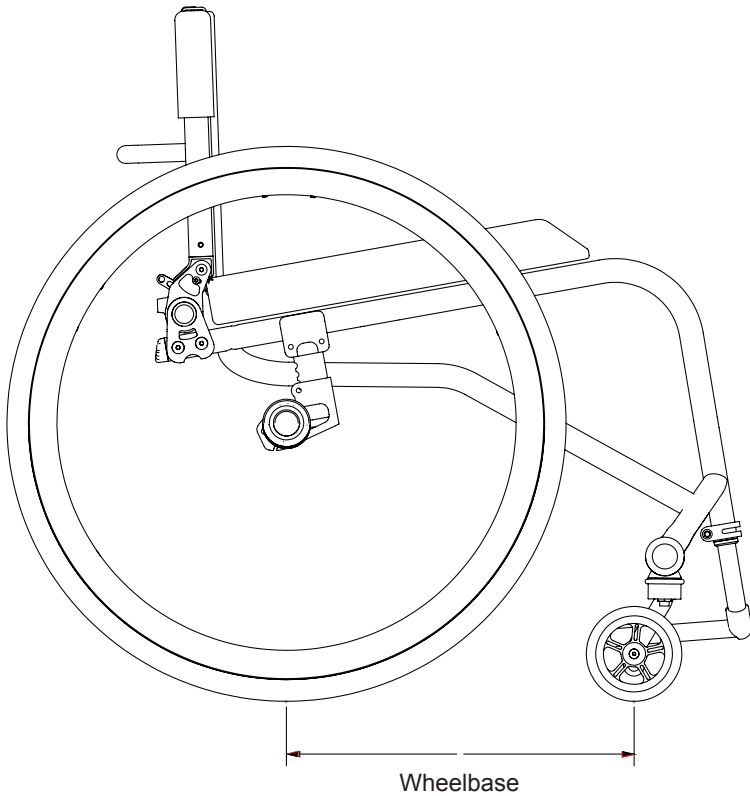
Available On: TiLite TR, TiLite TRA, TiLite ZR, TiLite ZRA, TiLite Aero T, TiLite Aero Z

Requirements:
Available on rigid chairs only.

Notes:
May not work with all chair configurations.

Caster Width: _____

Wheelbase: _____



Special Instructions



2701 West Court St, Pasco Wa, 99301
P: +1 509.586.6117 800.545.2266
F: +1 509.586.2413 866.586.2413

△ NOTE: Permobil's warranty does not cover Creative Mobility Division frames and frame components, unless Permobil determines that the frame or frame component was defectively manufactured.

Creative Mobility Division

Please Email or Fax this page with the Order Form to TiLite Customer Service, orders@tilite.com or 866.586.2413 or +1 509.586.2413

Dealer Name: _____

Customer Name: _____

Account Number: _____

PO Number: _____

EZ-Ti ID: _____

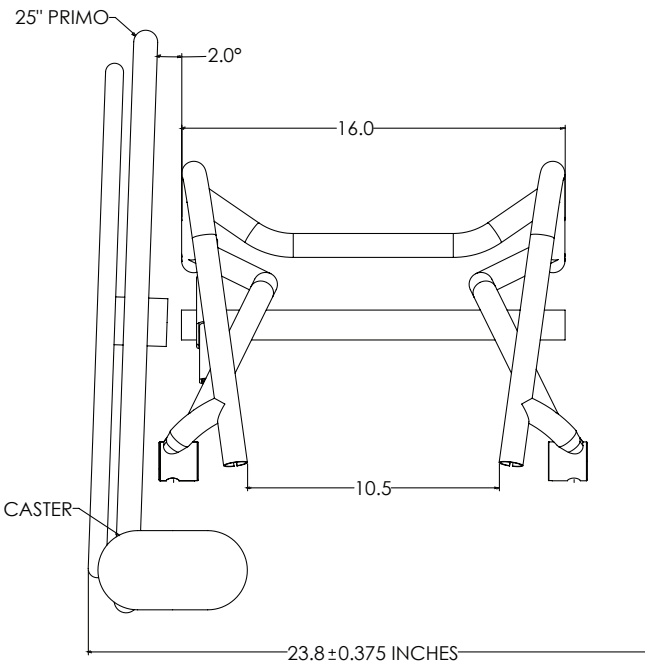
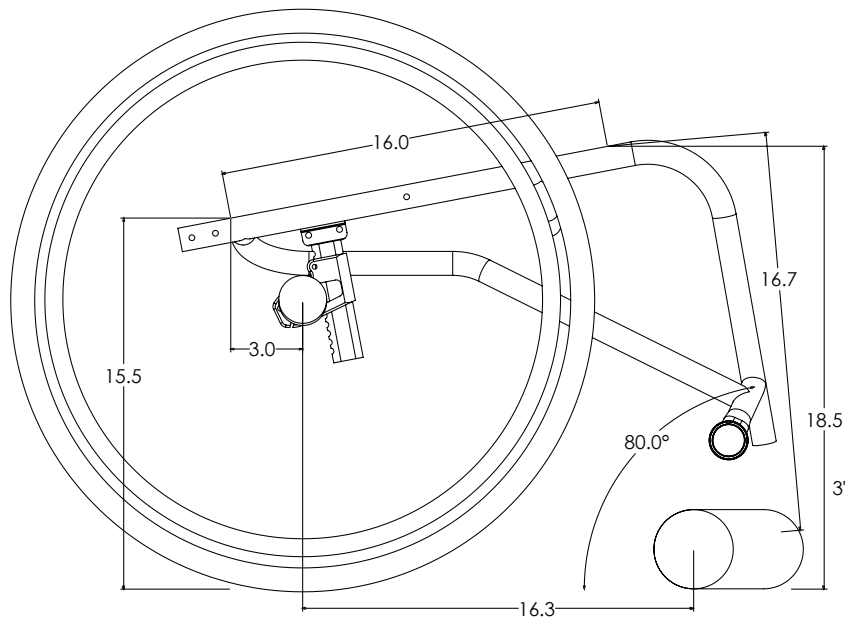
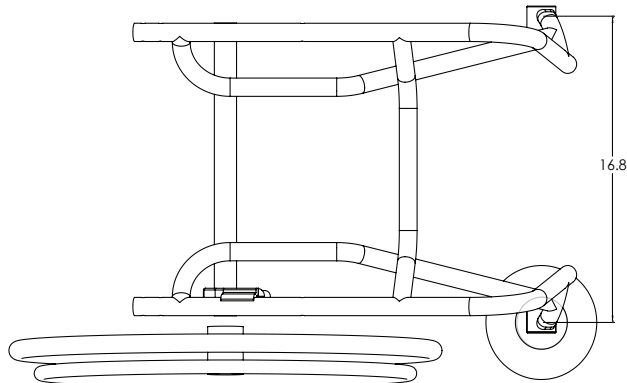
FULL SIZED QUOTE DRAWING

CMD Number: 65

Available On: TiLite TR, TiLite TRA, TiLite ZR, TiLite ZRA, TiLite Aero T, TiLite Aero Z

Requirements:

Notes:



Special Instructions



2701 West Court St, Pasco Wa, 99301
P: +1 509.586.6117 800.545.2266
F: +1 509.586.2413 866.586.2413

△ NOTE: Permobil's warranty does not cover Creative Mobility Division frames and frame components, unless Permobil determines that the frame or frame component was defectively manufactured.

Creative Mobility Division

Please Email or Fax this page with the Order Form to TiLite Customer Service, orders@tilite.com or 866.586.2413 or +1 509.586.2413

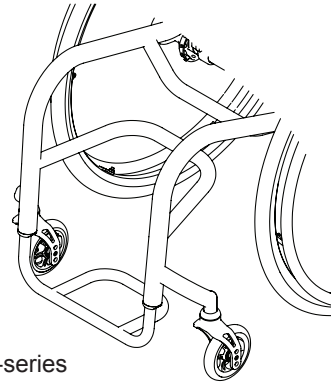
Dealer Name: _____

Customer Name: _____

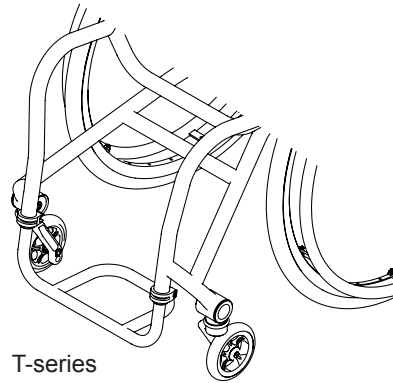
Account Number: _____

PO Number: _____

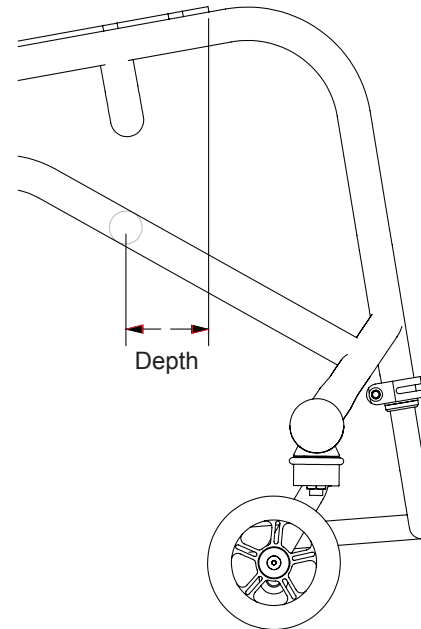
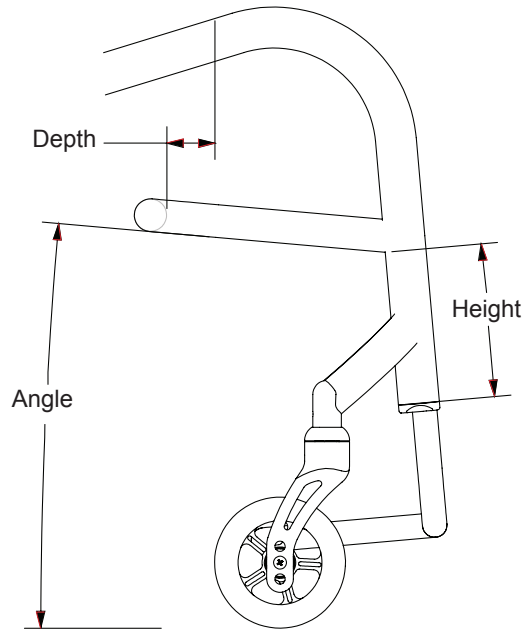
EZ-Ti ID: _____



Z-series



T-series



FRONT FRAME RIGIDIZER BAR

CMD Number: 70

Available On: TiLite TR, TiLite TRA, TiLite ZR, TiLite ZRA, TiLite Aero T, TiLite Aero Z.

Requirements:

Only available for Rigid frames.

Notes:

Dimensions vary for T-series frames versus Z-series frames.

May not work with all chair configurations.

Rigidizer Bar placement dimensions for T-chairs:

Depth: _____

Rigidizer Bar placement dimensions for Z-chairs:

Depth: _____

Height: _____

Angle: _____

Special Instructions



2701 West Court St, Pasco Wa, 99301
P: +1 509.586.6117 800.545.2266
F: +1 509.586.2413 866.586.2413

△ NOTE: Permobil's warranty does not cover Creative Mobility Division frames and frame components, unless Permobil determines that the frame or frame component was defectively manufactured.

Creative Mobility Division

Please Email or Fax this page with the Order Form to TiLite Customer Service, orders@tilite.com or 866.586.2413 or +1 509.586.2413

Dealer Name: _____

Customer Name: _____

Account Number: _____

PO Number: _____

EZ-Ti ID: _____

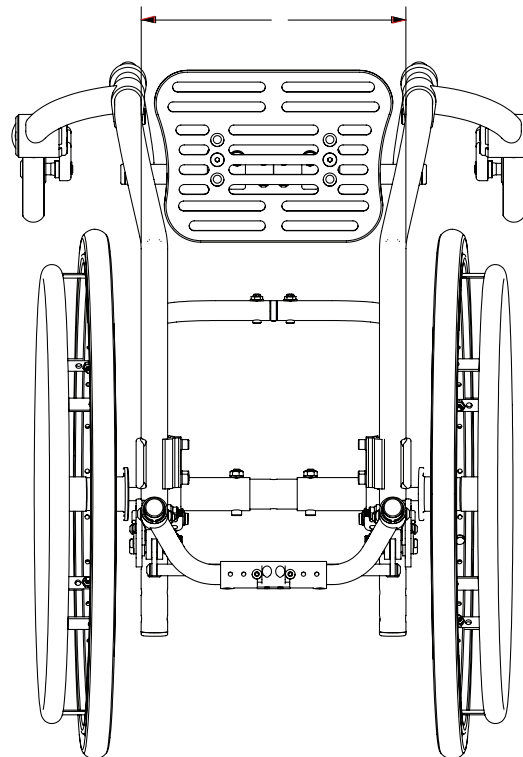
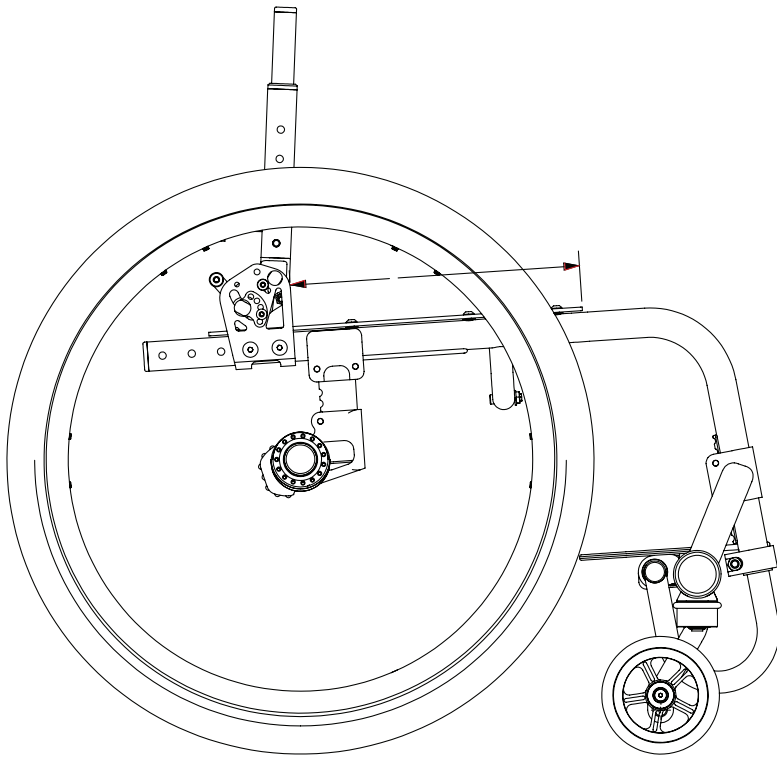
ADAPTED SEAT DEPTH COMBINATIONS

CMD Number: 76

Available On: TiLite Twist

Requirements:

Notes:



Special Instructions



2701 West Court St, Pasco Wa, 99301
P: +1 509.586.6117 800.545.2266
F: +1 509.586.2413 866.586.2413

△ NOTE: Permobil's warranty does not cover Creative Mobility Division frames and frame components, unless Permobil determines that the frame or frame component was defectively manufactured.

Creative Mobility Division

Please Email or Fax this page with the Order Form to TiLite Customer Service, orders@tilite.com or 866.586.2413 or +1 509.586.2413

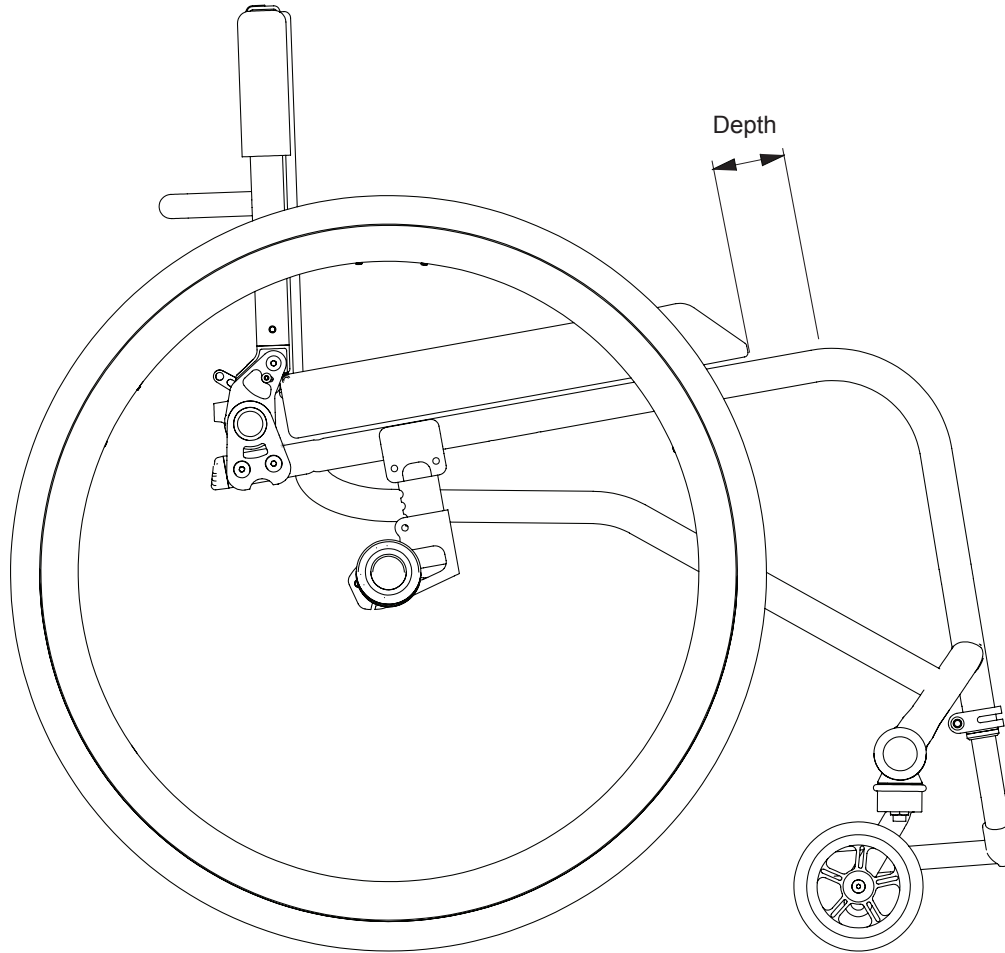
Dealer Name: _____

Customer Name: _____

Account Number: _____

PO Number: _____

EZ-Ti ID: _____



ADAPTED FRAME DEPTH

CMD Number: 54

Available On: TiLite TR, TiLite TRA, TiLite ZR, TiLite ZRA, TiLite Aero T, TiLite Aero Z

Requirements:

Frame depths greater than 3" or less than 0".

Notes:

Allowed in 1/4" increments.

Stability requirements may negate the availability of this option.

May not work with all chair configurations.

Depth: _____

Special Instructions



2701 West Court St, Pasco Wa, 99301
P: +1 509.586.6117 800.545.2266
F: +1 509.586.2413 866.586.2413

⚠ NOTE: Permobil's warranty does not cover Creative Mobility Division frames and frame components, unless Permobil determines that the frame or frame component was defectively manufactured.

Footrest Options

Creative Mobility Division

Please Email or Fax this page with the Order Form to TiLite Customer Service, orders@tilite.com or 866.586.2413 or +1 509.586.2413

Dealer Name: _____

Customer Name: _____

Account Number: _____

PO Number: _____

EZ-Ti ID: _____

ALUMINUM ANGLE ADJUSTABLE FOOPLATE

CMD Number: 4

Available On: TiLite TR, TiLite TRA, TiLite Aero T, TiLite ZR, TiLite ZRA, TiLite Aero Z, TiLite Twist

Requirements:

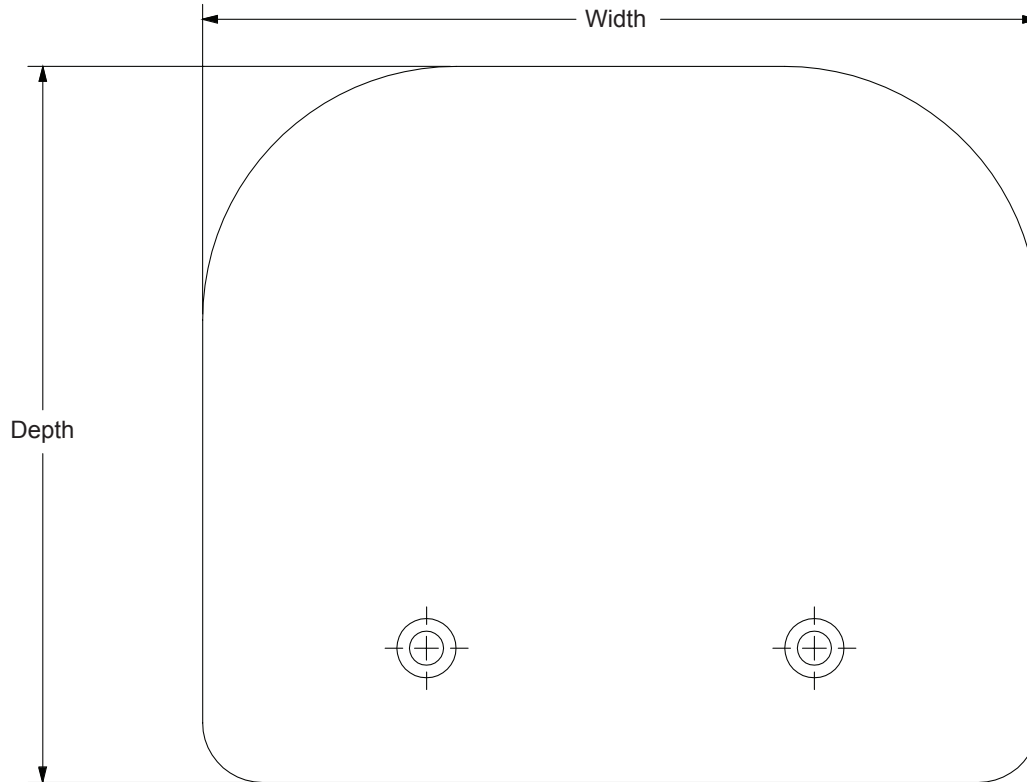
Footplates that are 10" or deeper will require a strap to support the rear of the footplate. Footplate slots are optional and will be included upon customer request.

Notes:

May not work with all chair configurations.

Width: _____

Depth: _____



Special Instructions



2701 West Court St, Pasco Wa, 99301
P: +1 509.586.6117 800.545.2266
F: +1 509.586.2413 866.586.2413

△ NOTE: Permobil's warranty does not cover Creative Mobility Division frames and frame components, unless Permobil determines that the frame or frame component was defectively manufactured.

Creative Mobility Division

Please Email or Fax this page with the Order Form to TiLite Customer Service, orders@tilite.com or 866.586.2413 or +1 509.586.2413

Dealer Name: _____

Customer Name: _____

Account Number: _____

PO Number: _____

EZ-Ti ID: _____

ADAPTED FOOTREST WIDTH

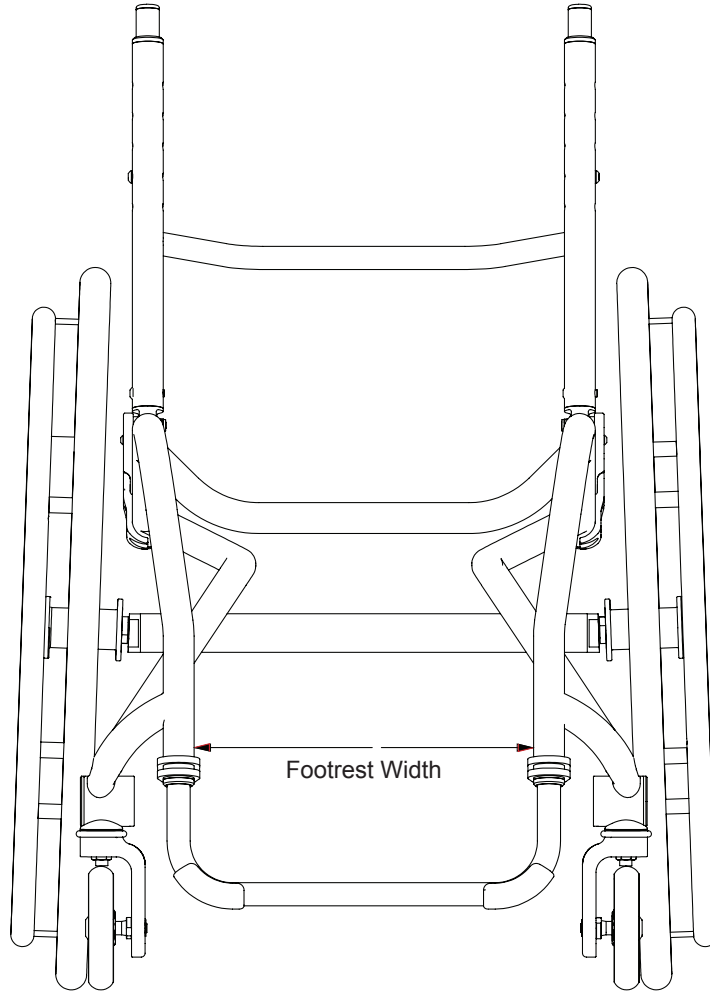
CMD Number: 8

Available On: TiLite TR, TiLite TRA, TiLite ZR, TiLite ZRA, TiLite Aero T, TiLite Aero Z

Requirements:
Only available on Rigid Frames.

Notes:
Please round desired width to nearest 1/2".
Footrest width must be at least 2" narrower than seat width on T series chairs, and 2 1/2" narrower than seat width on Z series chairs.
May not work with all chair configurations.

Footrest Width: _____



Special Instructions



2701 West Court St, Pasco Wa, 99301
P: +1 509.586.6117 800.545.2266
F: +1 509.586.2413 866.586.2413

△ NOTE: Permobil's warranty does not cover Creative Mobility Division frames and frame components, unless Permobil determines that the frame or frame component was defectively manufactured.

Creative Mobility Division

Please Email or Fax this page with the Order Form to TiLite Customer Service, orders@tilite.com or 866.586.2413 or +1 509.586.2413

Dealer Name: _____
Account Nmbcr: _____
EZ-Ti ID: _____

Customer Name: _____
PO Number: _____

UNIQUE CONFIGURED FOOTREST LOOP

CMD Number: 21

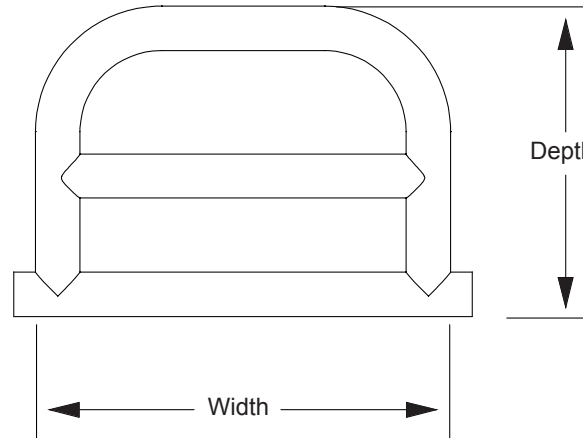
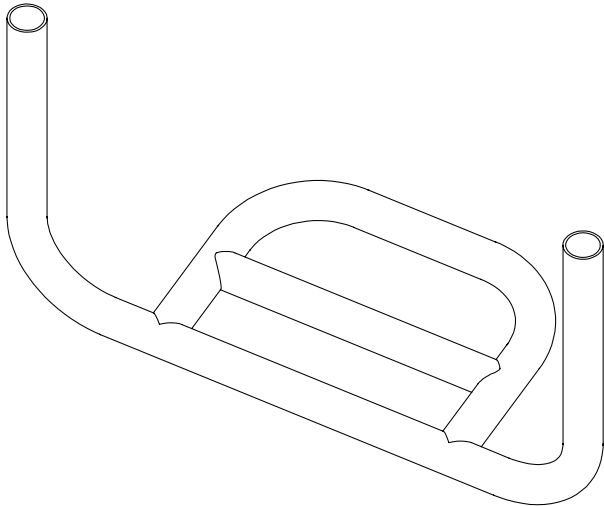
Available On: TiLite TR, TiLite TRA, TiLite ZR, TiLite ZRA, TiLite Aero T, TiLite Aero Z

Requirements:
Only available on Rigid Frames.

Notes:
Optional ABS cover.
Angle Adjustable option is not compatible.
May not work with all chair configurations.

Width: _____

Depth: _____



Special Instructions



2701 West Court St, Pasco Wa, 99301
P: +1 509.586.6117 800.545.2266
F: +1 509.586.2413 866.586.2413

△ NOTE: Permobil's warranty does not cover Creative Mobility Division frames and frame components, unless Permobil determines that the frame or frame component was defectively manufactured.

Creative Mobility Division

Please Email or Fax this page with the Order Form to TiLite Customer Service, orders@tilite.com or 866.586.2413 or +1 509.586.2413

Dealer Name: _____

Customer Name: _____

Account Number: _____

PO Number: _____

EZ-Ti ID: _____

DUAL LOOP FOOTREST

CMD Number: 22

Available On: TiLite TR, TiLite TRA, TiLite Aero T, TiLite ZR, TiLite ZRA, TiLite Aero Z

Requirements:

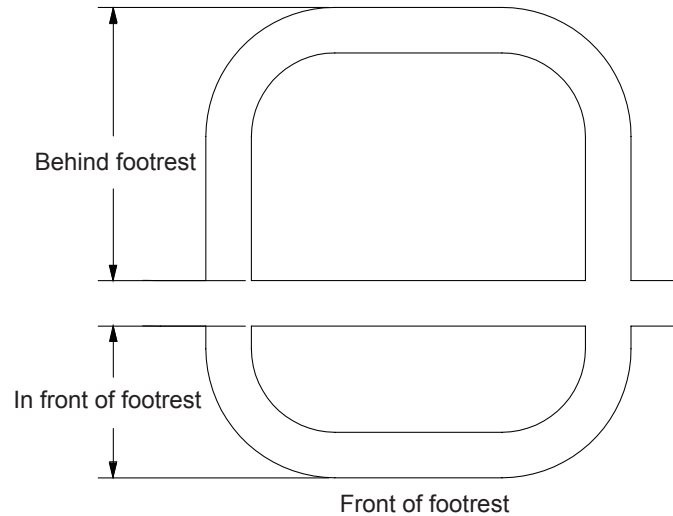
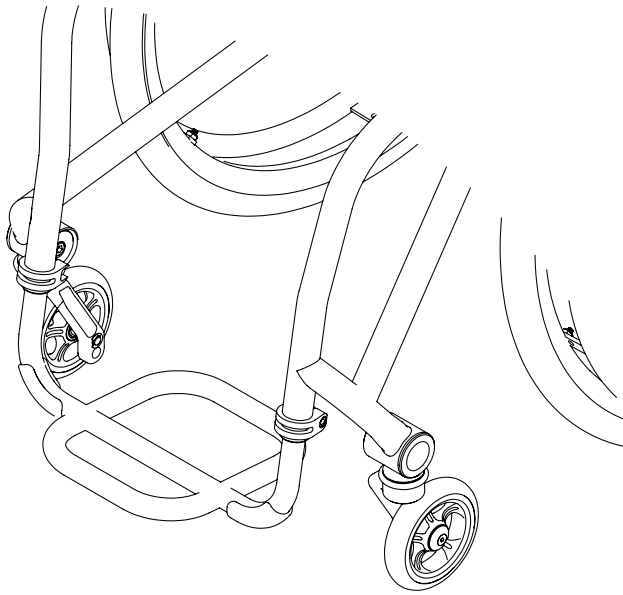
Not available with angle-adjustable footplate. Available on rigid chairs only.

Notes:

Titanium footloop comes with flat ABS cover. Second loop is welded to front footrest tube. May not work with all chair configurations.

Length in front of footrest: _____

Length behind footrest: _____



Special Instructions



2701 West Court St, Pasco Wa, 99301
P: +1 509.586.6117 800.545.2266
F: +1 509.586.2413 866.586.2413

△ NOTE: Permobil's warranty does not cover Creative Mobility Division frames and frame components, unless Permobil determines that the frame or frame component was defectively manufactured.

Creative Mobility Division

Please Email or Fax this page with the Order Form to TiLite Customer Service, orders@tilite.com or 866.586.2413 or +1 509.586.2413

Dealer Name: _____

Customer Name: _____

Account Number: _____

PO Number: _____

EZ-Ti ID: _____

COVERED FOAM PAD ON FOOTREST

CMD Number: 25

Available On: TiLite TR, TiLite TRA, TiLite Aero T, TiLite ZR, TiLite ZRA, TiLite Aero Z

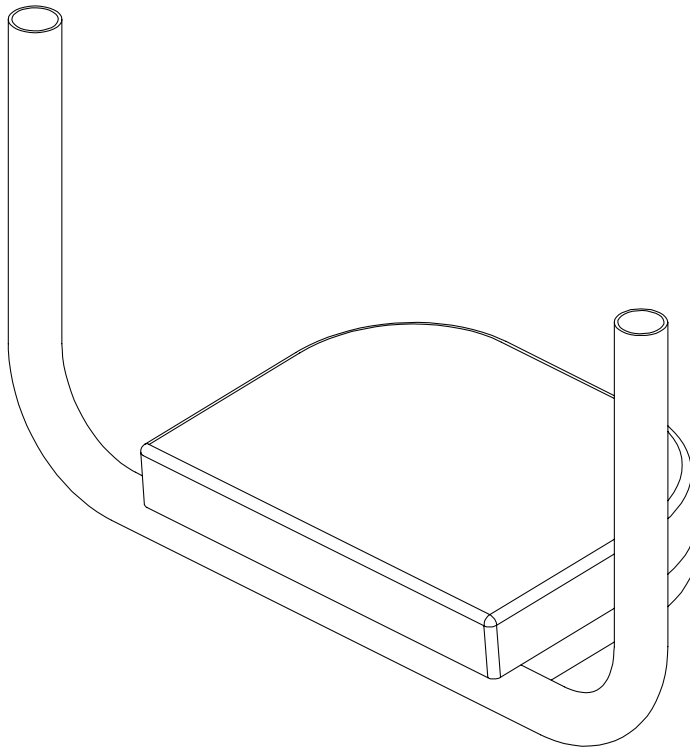
Requirements:

Only available on Rigid chairs.
Only available for Titanium w/ Flat ABS Cover or Angle Adjustable Footrests.

Notes:

Option of 1" or 2" Foam Pad.
Foam Pad is covered with Ballistic Nylon.
May not work with all chair configurations.

Foam Pad Size: 1" or 2"



Special Instructions



2701 West Court St, Pasco Wa, 99301
P: +1 509.586.6117 800.545.2266
F: +1 509.586.2413 866.586.2413

△ NOTE: Permobility's warranty does not cover Creative Mobility Division frames and frame components, unless Permobility determines that the frame or frame component was defectively manufactured.

Creative Mobility Division

Please Email or Fax this page with the Order Form to TiLite Customer Service, orders@tilite.com or 866.586.2413 or +1 509.586.2413

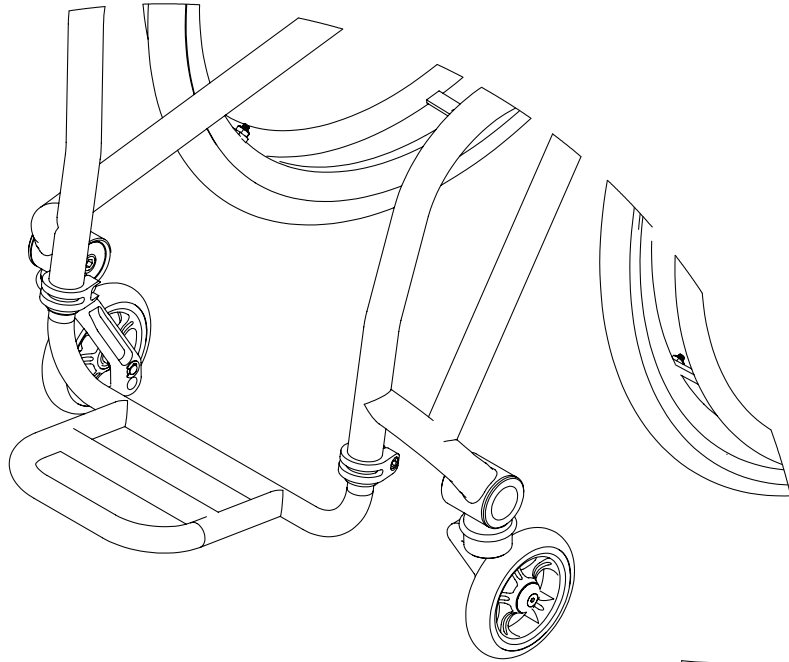
Dealer Name: _____

Customer Name: _____

Account Number: _____

PO Number: _____

EZ-Ti ID: _____



FORWARD MOUNTED FOOTPLATE

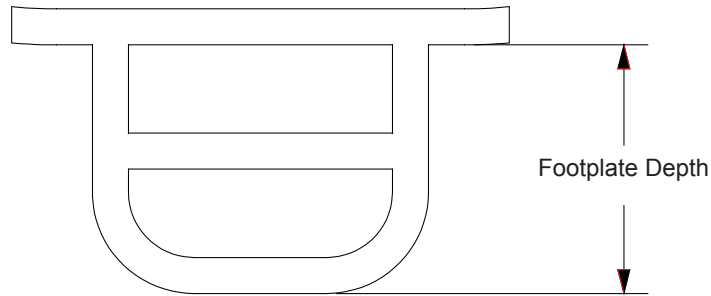
CMD Number: 30

Available On: TiLite TR, TiLite TRA, TiLite ZR, TiLite ZRA, TiLite Aero T, TiLite Aero Z

Requirements:
Available on rigid chairs only.

Notes:
Can be Angle Adjustable (no charge), Titanium w/ Flat ABS cover, or Titanium Open Loop.
Depth Dimension not available on angle adjustable footplates.
May not work with all chair configurations.

Footplate Depth: _____



Special Instructions



2701 West Court St, Pasco Wa, 99301
P: +1 509.586.6117 800.545.2266
F: +1 509.586.2413 866.586.2413

△ NOTE: Permobil's warranty does not cover Creative Mobility Division frames and frame components, unless Permobil determines that the frame or frame component was defectively manufactured.

Creative Mobility Division

Please Email or Fax this page with the Order Form to TiLite Customer Service, orders@tilite.com or 866.586.2413 or +1 509.586.2413

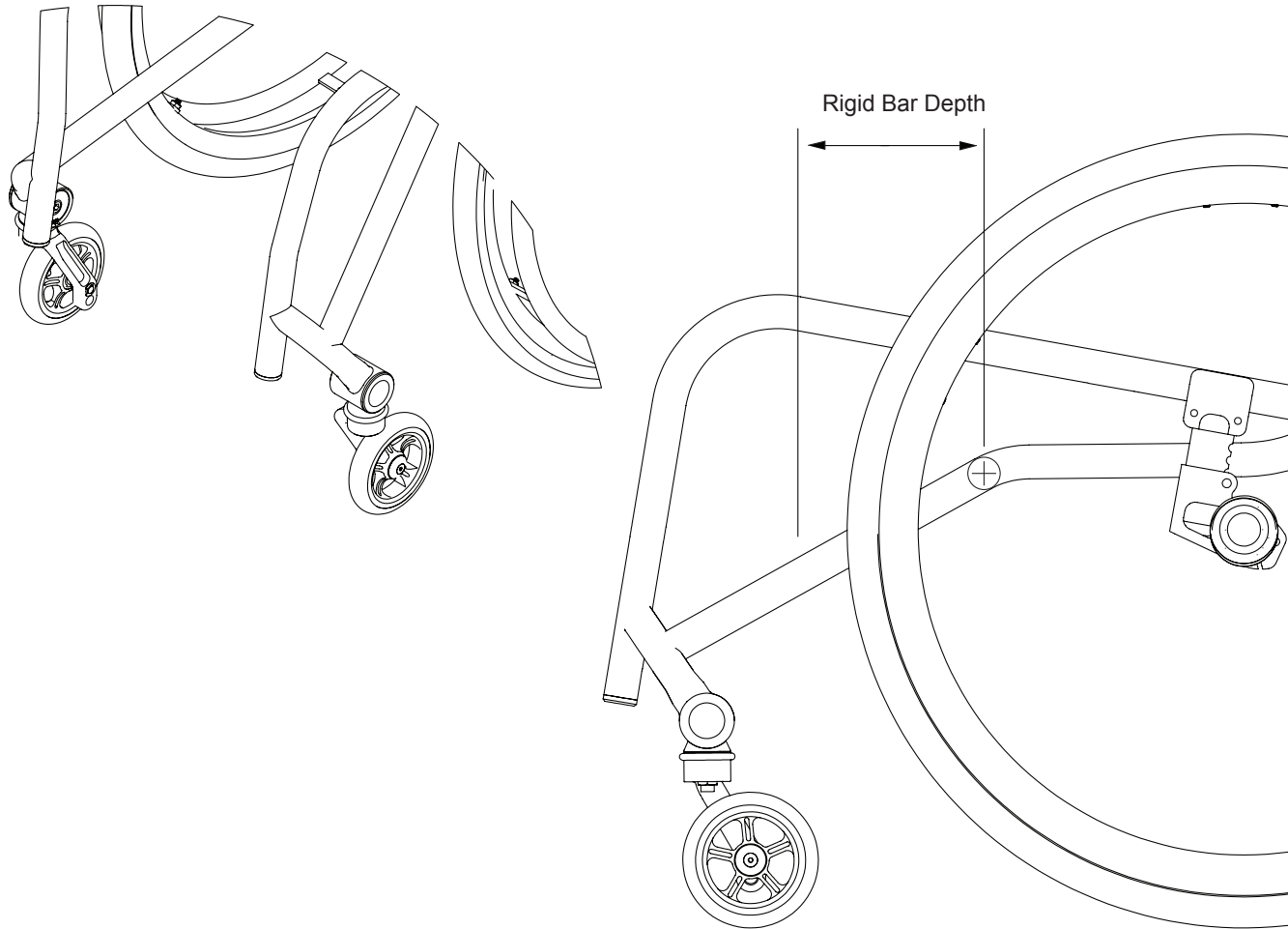
Dealer Name: _____

Customer Name: _____

Account Number: _____

PO Number: _____

EZ-Ti ID: _____



NO FOOTPLATES

CMD Number: 32

Available On: TiLite TR, TiLite TRA, TiLite Aero T

Requirements:
Only available for T-series chairs.

Notes:
Front Frame Rigidizer Bar is required.
May not work with all chair configurations.

Rigid Bar Depth: _____ (measure from front of seat sling)

Special Instructions



2701 West Court St, Pasco Wa, 99301
P: +1 509.586.6117 800.545.2266
F: +1 509.586.2413 866.586.2413

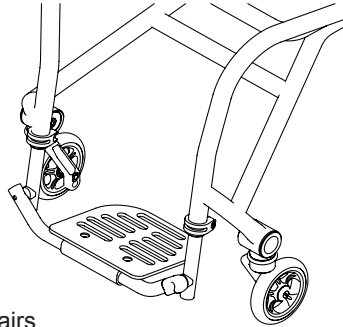
△ NOTE: Permobil's warranty does not cover Creative Mobility Division frames and frame components, unless Permobil determines that the frame or frame component was defectively manufactured.

Creative Mobility Division

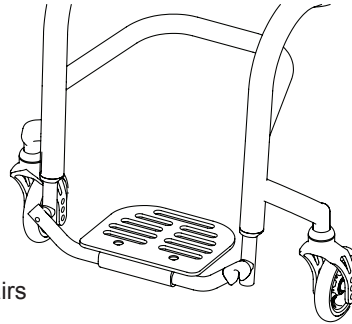
Please Email or Fax this page with the Order Form to TiLite Customer Service, orders@tilite.com or 866.586.2413 or +1 509.586.2413

Dealer Name: _____
 Account Number: _____
 EZ-Ti ID: _____

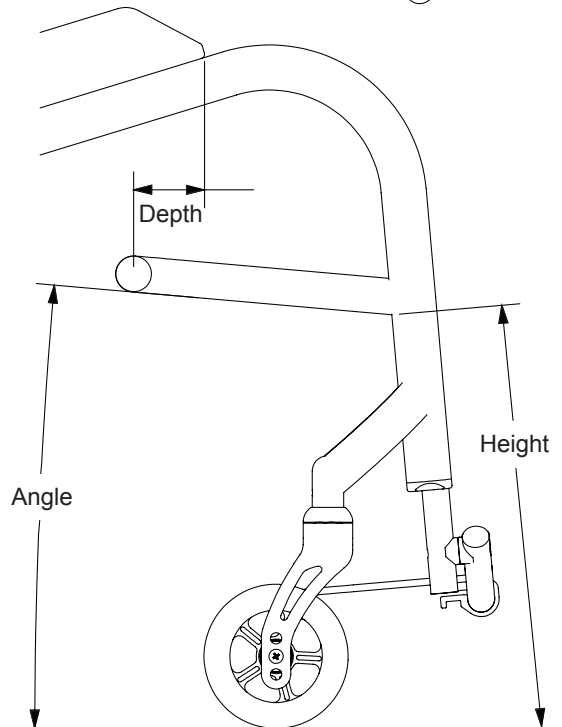
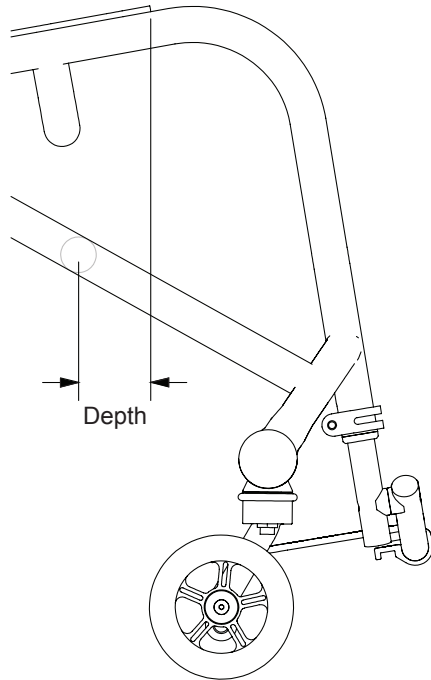
Customer Name: _____
 PO Number: _____



T-chairs



Z-chairs



ONE PIECE FLIP-UP FOOTPLATE

CMD Number: 35

Available On: TiLite TR, TiLite TRA, TiLite ZR, TiLite ZRA, TiLite Aero T, TiLite Aero Z

Requirements:

Only available on rigid frames.
 Extra rigidizer bar is required.
 Angle Adjustable footplate only.

Notes:

Rigidizer Bar dimensions are different for T-series and Z-series chairs.
 Option to pivot on left or right side of chair.
 May not work with all chair configurations.

Flip-up footplate pivot on Right or Left

Rigidizer Bar placement dimensions for T-chairs:

Depth: _____

Rigidizer Bar placement dimensions for Z-chairs:

Depth: _____

Height: _____

Angle: _____

Special Instructions



2701 West Court St, Pasco Wa, 99301
 P: +1 509.586.6117 800.545.2266
 F: +1 509.586.2413 866.586.2413

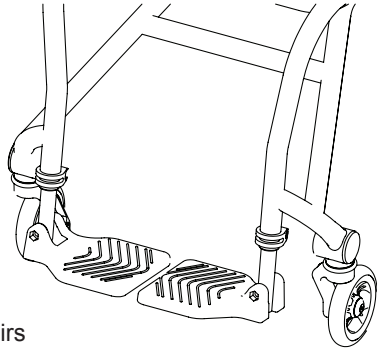
△ NOTE: Permobil's warranty does not cover Creative Mobility Division frames and frame components, unless Permobil determines that the frame or frame component was defectively manufactured.

Creative Mobility Division

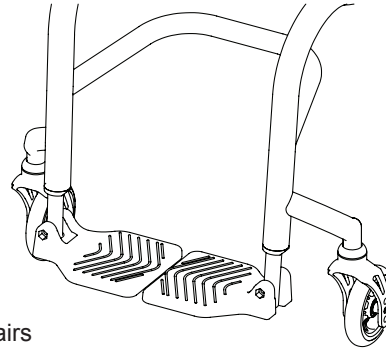
Please Email or Fax this page with the Order Form to TiLite Customer Service, orders@tilite.com or 866.586.2413 or +1 509.586.2413

Dealer Name: _____
 Account Number: _____
 EZ-Ti ID: _____

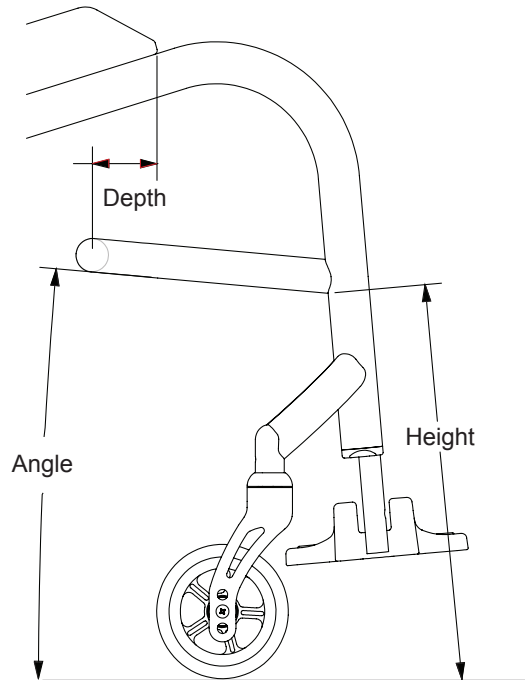
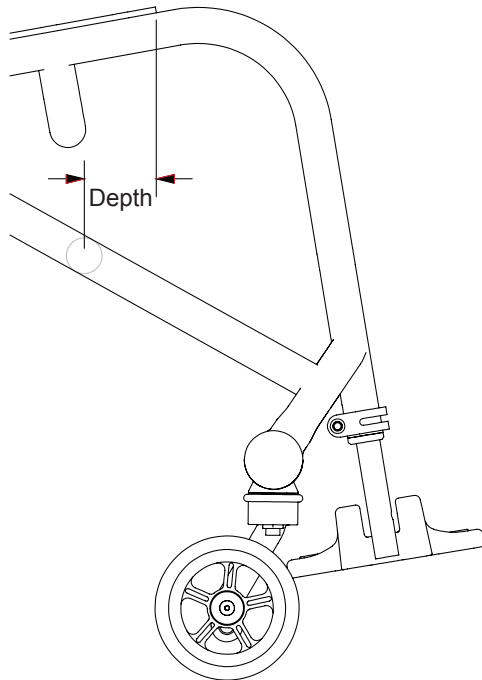
Customer Name: _____
 PO Number: _____



T-Chairs



Z-Chairs



TWO PIECE FLIP-UP FOOTPLATES

CMD Number: 40

Available On: TiLite TR, TiLite TRA, TiLite ZR, TiLite ZRA, TiLite Aero T, TiLite Aero Z

Requirements:

Only available on Rigid Frames.
 Extra rigidizer bar is required.

Notes:

Rigidizer Bar dimensions are different for T-series and Z-series chairs.
 Aero Z footrests will be clamped to front of frame.
 Not available with V-front end.
 May not work with all chair configurations.

Footrest Type (Select one):

- Standard Flip-up
- Angle Adjustable Flip-up
- Depth Adjustable Flip-up
- Depth and Angle Adjustable Flip-up

Rigidizer Bar placement dimensions for T-chairs:

Depth: _____

Rigidizer Bar placement dimensions for Z-chairs:

Depth: _____

Height: _____

Angle: _____

Special Instructions



2701 West Court St, Pasco Wa, 99301
 P: +1 509.586.6117 800.545.2266
 F: +1 509.586.2413 866.586.2413

△ NOTE: Permobil's warranty does not cover Creative Mobility Division frames and frame components, unless Permobil determines that the frame or frame component was defectively manufactured.

Creative Mobility Division

Please Email or Fax this page with the Order Form to TiLite Customer Service, orders@tilite.com or 866.586.2413 or +1 509.586.2413

Dealer Name: _____

Customer Name: _____

Account Number: _____

PO Number: _____

EZ-Ti ID: _____

UNIQUE SIZED FOOTREST RISERS

CMD Number: 42

Available On: TiLite TR, TiLite TRA, TiLite ZR, TiLite ZRA, TiLite Aero T, TiLite Aero Z

Requirements:

Only available on Rigid Frames.

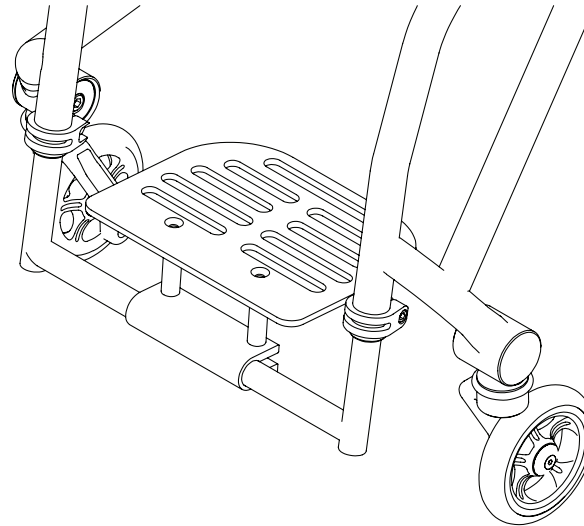
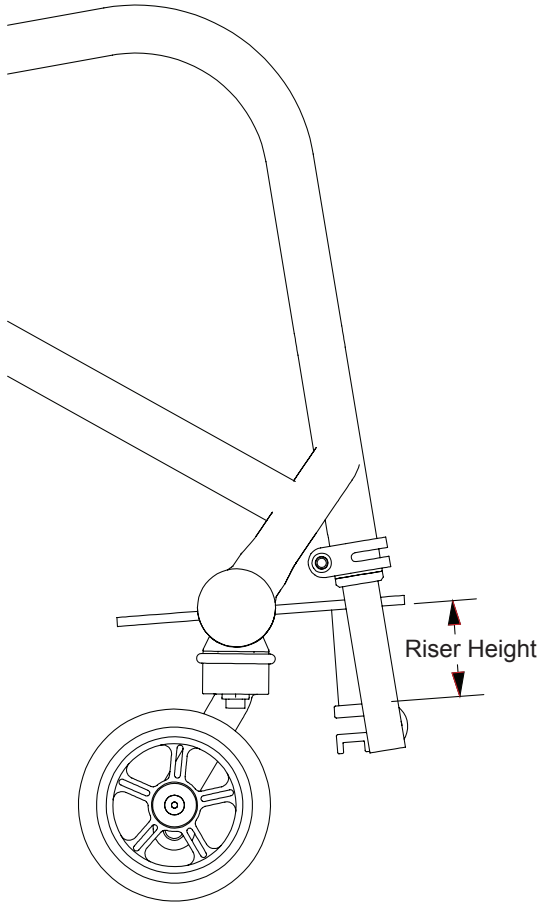
Only available with Angle Adjustable footplate.

Notes:

Maximum footrest riser height is 5".

May not work with all chair configurations.

Riser Height: 1" or 3"



Special Instructions



2701 West Court St, Pasco Wa, 99301
P: +1 509.586.6117 800.545.2266
F: +1 509.586.2413 866.586.2413

△ NOTE: Permobil's warranty does not cover Creative Mobility Division frames and frame components, unless Permobil determines that the frame or frame component was defectively manufactured.

Creative Mobility Division

Please Email or Fax this page with the Order Form to TiLite Customer Service, orders@tilite.com or 866.586.2413 or +1 509.586.2413

Dealer Name: _____

Customer Name: _____

Account Number: _____

PO Number: _____

EZ-Ti ID: _____

2" SIDED ABS FOOTREST COVER

CMD Number: 49

Available On: TiLite TR, TiLite TRA, TiLite ZR, TiLite ZRA, TiLite Aero T, TiLite Aero Z, TiLite Twist

Requirements:

Footrest shapes may vary for caster swivel clearance. The overall width of the footrest will be as wide as possible per each chair's configuration unless otherwise indicated or if caster swivel needs to be compensated for.

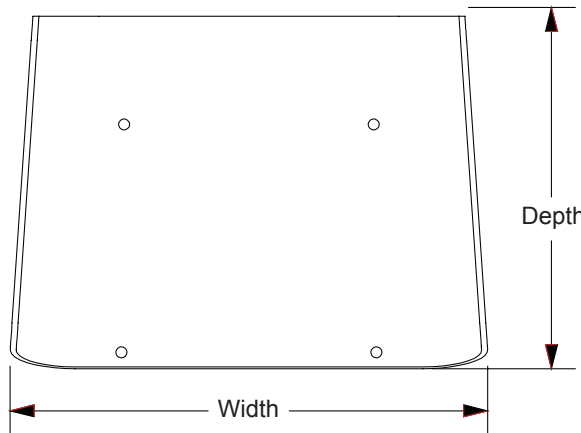
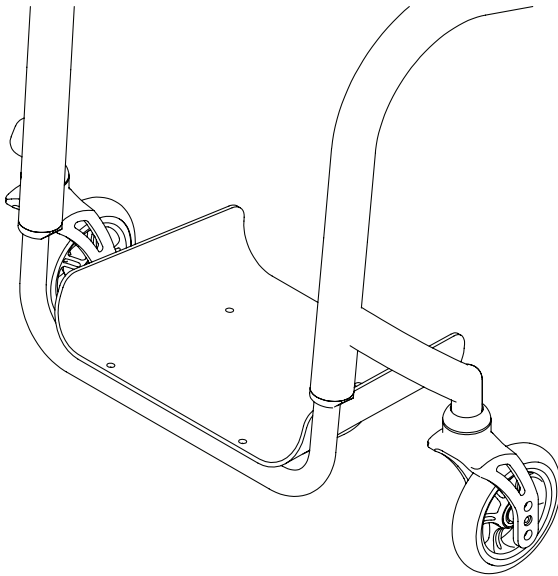
Notes:

May not work with all chair configurations.

ABS Sided Cover Dimensions:

Depth: _____

Width: _____



Special Instructions



2701 West Court St, Pasco Wa, 99301
P: +1 509.586.6117 800.545.2266
F: +1 509.586.2413 866.586.2413

△ NOTE: Permobil's warranty does not cover Creative Mobility Division frames and frame components, unless Permobil determines that the frame or frame component was defectively manufactured.

Creative Mobility Division

Please Email or Fax this page with the Order Form to TiLite Customer Service, orders@tilite.com or 866.586.2413 or +1 509.586.2413

Dealer Name: _____

Customer Name: _____

Account Number: _____

PO Number: _____

EZ-Ti ID: _____

ADAPTED SHAPED ABS FOOTREST

CMD Number: 50

Available On: TiLite TR, TiLite TRA, TiLite ZR, TiLite ZRA, TiLite Aero T, TiLite Aero Z

Requirements:

Available on rigid chairs only.
Titanium open loop footrest is required.

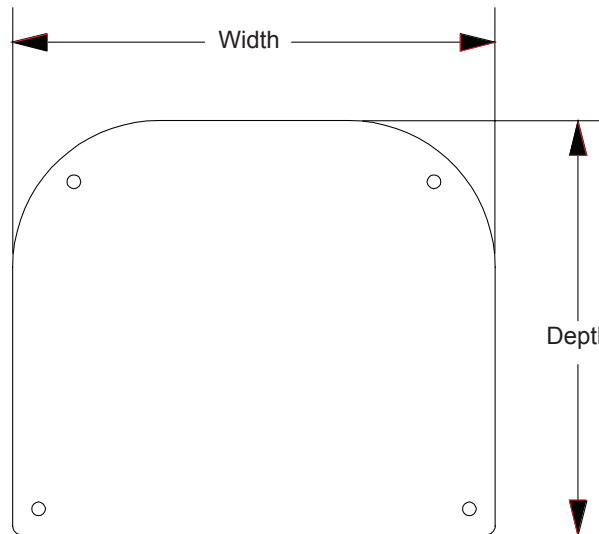
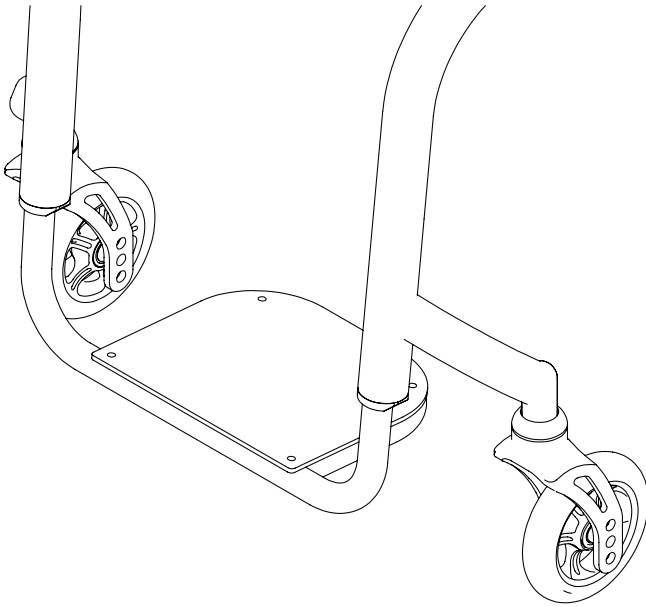
Notes:

Available adaptations include, but are not limited to depth and width.
Contact customer service for additional variations.
May not work with all chair configurations.

ABS Footrest Dimensions:

Depth: _____

Width: _____



Special Instructions



2701 West Court St, Pasco Wa, 99301
P: +1 509.586.6117 800.545.2266
F: +1 509.586.2413 866.586.2413

△ NOTE: Permobil's warranty does not cover Creative Mobility Division frames and frame components, unless Permobil determines that the frame or frame component was defectively manufactured.

Creative Mobility Division

Please Email or Fax this page with the Order Form to TiLite Customer Service, orders@tilite.com or 866.586.2413 or +1 509.586.2413

Dealer Name: _____

Customer Name: _____

Account Number: _____

PO Number: _____

EZ-Ti ID: _____

TITANIUM ANGLE ADJUSTABLE FOOTREST EXTENSIONS

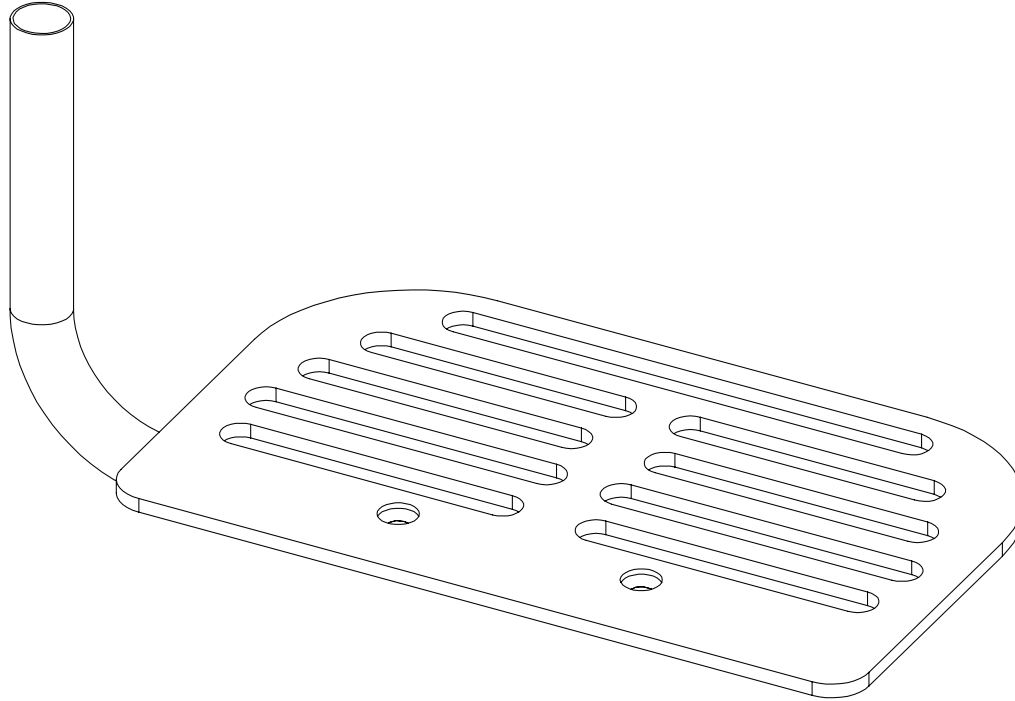
CMD Number: 55

Available On: TiLite TR, TiLite TRA, TiLite ZR, TiLite ZRA, TiLite Aero Z, TiLite Aero T, TiLite TWIST

Requirements:

Notes:

May not work with all chair configurations.



Special Instructions



2701 West Court St, Pasco Wa, 99301
P: +1 509.586.6117 800.545.2266
F: +1 509.586.2413 866.586.2413

△ NOTE: Permobil's warranty does not cover Creative Mobility Division frames and frame components, unless Permobil determines that the frame or frame component was defectively manufactured.

Creative Mobility Division

Please Email or Fax this page with the Order Form to TiLite Customer Service, orders@tilite.com or 866.586.2413 or +1 509.586.2413

Dealer Name: _____

Customer Name: _____

Account Number: _____

PO Number: _____

EZ-Ti ID: _____

TUBULAR FLIP-UP FOOTPLATES

CMD Number: 61

Available On: TiLite TR, TiLite TRA, TiLite ZR, TiLite ZRA, TiLite Aero T, TiLite Aero Z, TiLite Aero X, TiLite 2GX

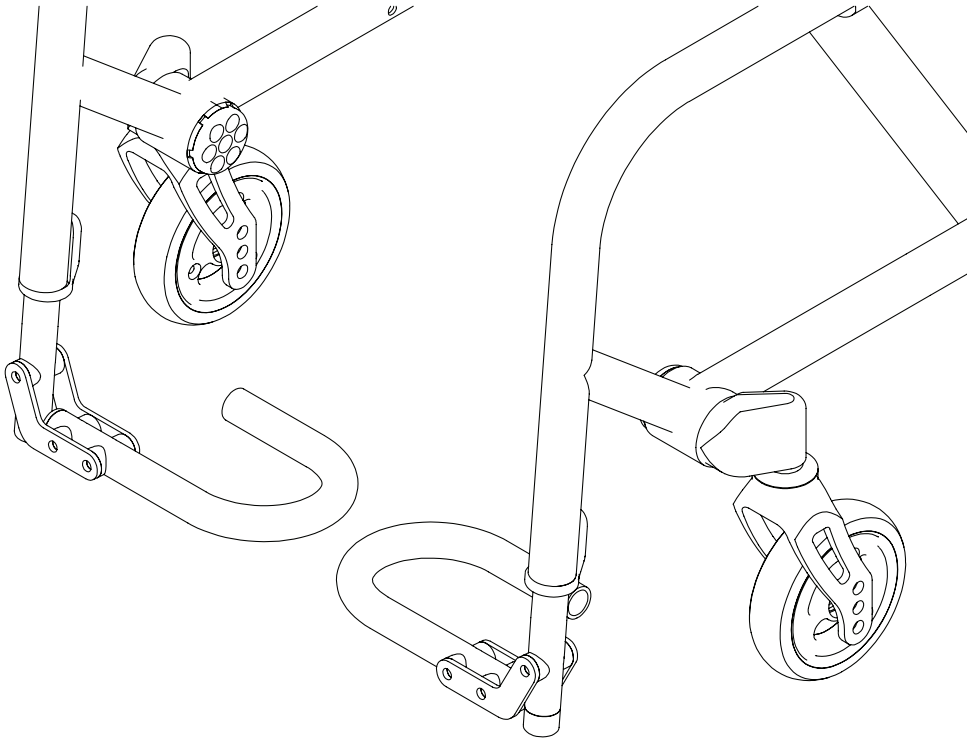
Requirements:

Rigid frames require extra rigidizer bar (see Catalog Item 70).

Notes:

Not available with V-front end.

May not work with all chair configurations.



Special Instructions



2701 West Court St, Pasco Wa, 99301
P: +1 509.586.6117 800.545.2266
F: +1 509.586.2413 866.586.2413

△ NOTE: Permobil's warranty does not cover Creative Mobility Division frames and frame components, unless Permobil determines that the frame or frame component was defectively manufactured.

Creative Mobility Division

Please Email or Fax this page with the Order Form to TiLite Customer Service, orders@tilite.com or 866.586.2413 or +1 509.586.2413

Dealer Name: _____

Customer Name: _____

Account Number: _____

PO Number: _____

EZ-Ti ID: _____

SQUARED OFF TITANIUM FOOTREST

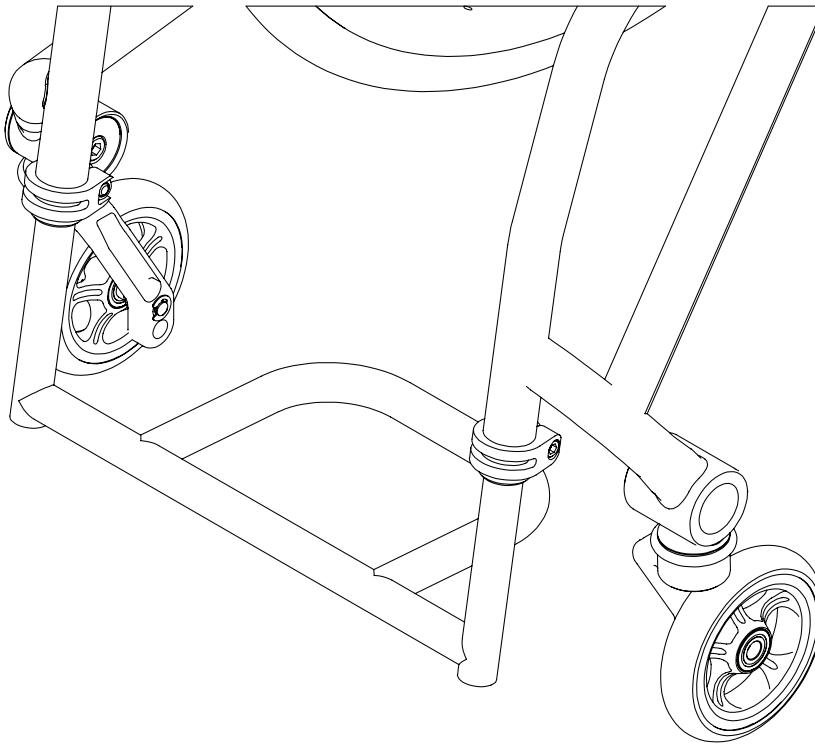
CMD Number: 71

Available On: TiLite TR, TiLite TRA, TiLite ZR, TiLite ZRA, TiLite Aero Z, TiLite Aero T.

Requirements:

Notes:

May not work with all chair configurations.



Special Instructions



2701 West Court St, Pasco Wa, 99301
P: +1 509.586.6117 800.545.2266
F: +1 509.586.2413 866.586.2413

△ NOTE: Permobility's warranty does not cover Creative Mobility Division frames and frame components, unless Permobility determines that the frame or frame component was defectively manufactured.

Creative Mobility Division

Please Email or Fax this page with the Order Form to TiLite Customer Service, orders@tilite.com or 866.586.2413 or +1 509.586.2413

Dealer Name: _____

Customer Name: _____

Account Number: _____

PO Number: _____

EZ-Ti ID: _____

ADAPTED FOOTREST HEIGHT ADJUSTMENT

CMD Number: 72

Available On: TiLite TR, TiLite TRA, TiLite ZR, TiLite ZRA, TiLite Aero T, TiLite Aero Z

Requirements:

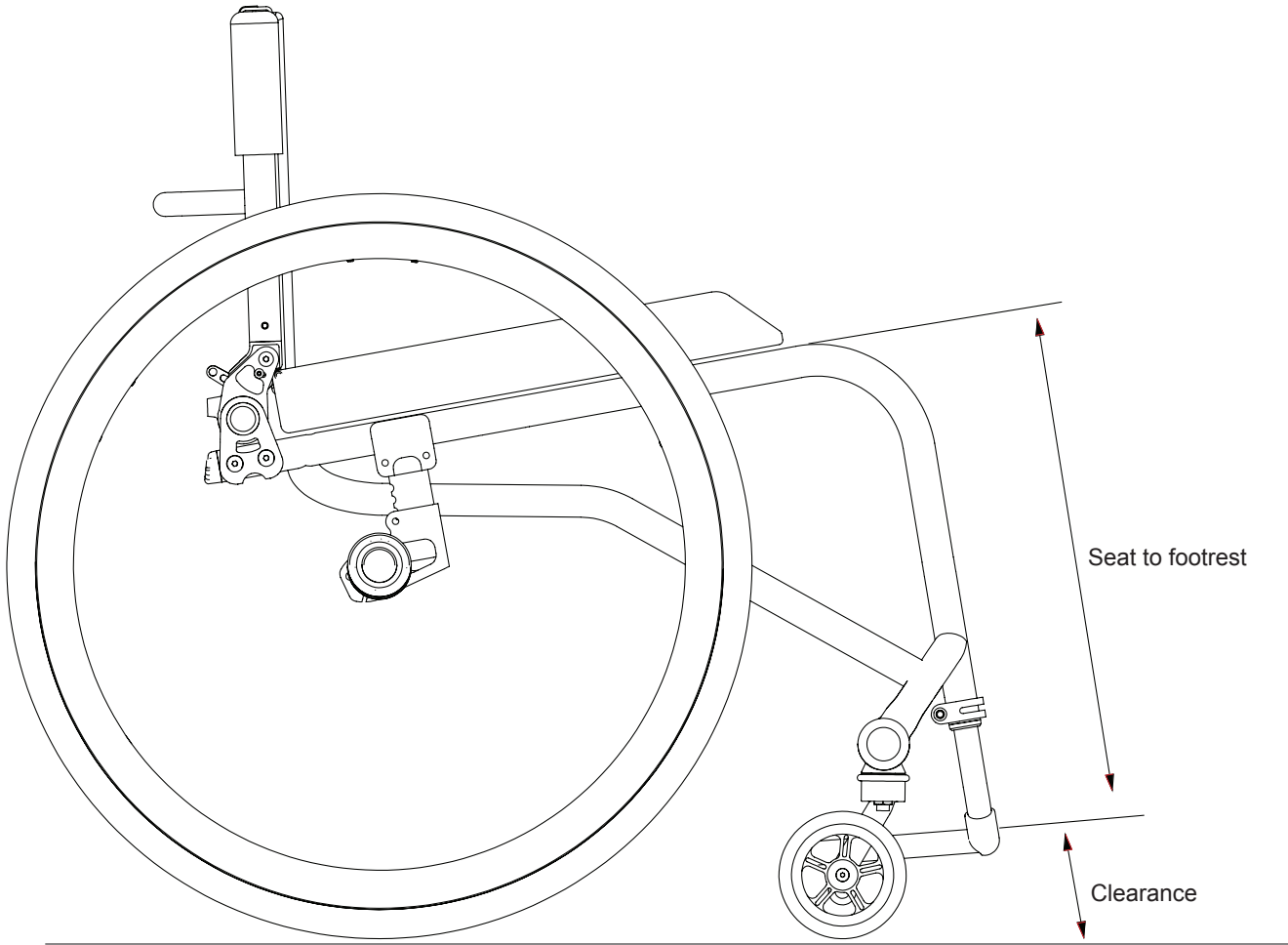
Available on rigid chairs only.

Notes:

May not work with all chair configurations.

Seat to footrest: _____

Clearance (min 2"): _____



Special Instructions



2701 West Court St, Pasco Wa, 99301
P: +1 509.586.6117 800.545.2266
F: +1 509.586.2413 866.586.2413

△ NOTE: Permobil's warranty does not cover Creative Mobility Division frames and frame components, unless Permobil determines that the frame or frame component was defectively manufactured.

Creative Mobility Division

Please Email or Fax this page with the Order Form to TiLite Customer Service, orders@tilite.com or 866.586.2413 or +1 509.586.2413

Dealer Name: _____

Customer Name: _____

Account Number: _____

PO Number: _____

EZ-Ti ID: _____

FRONT ROLLER

CMD Number: 80

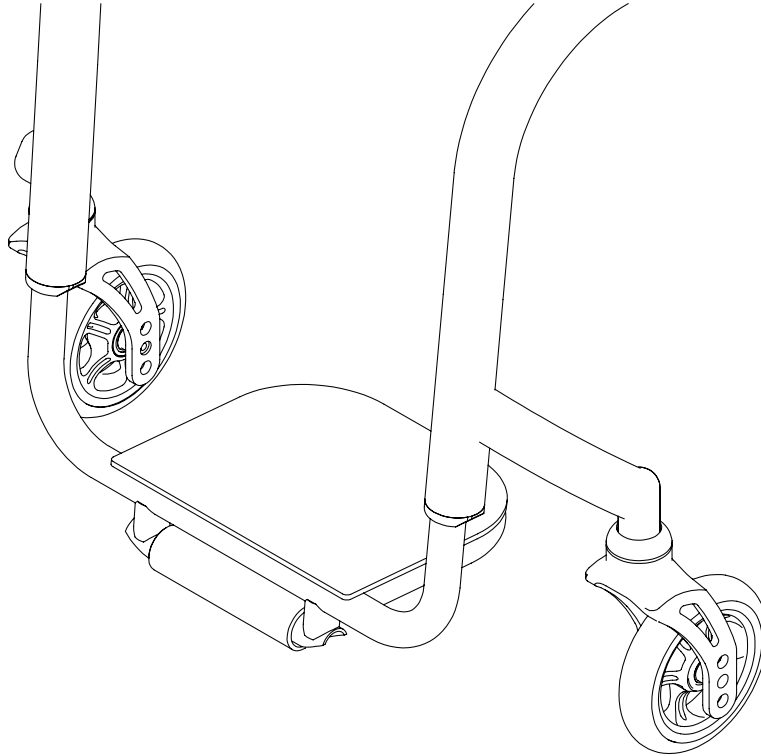
Available On: TiLite TR, TiLite TRA, TiLite ZR, TiLite ZRA, TiLite Aero T, TiLite Aero Z

Requirements:

Only available on rigid frames.
Not available with flip-back footrest.

Notes:

May not work with all chair configurations.



Special Instructions



2701 West Court St, Pasco Wa, 99301
P: +1 509.586.6117 800.545.2266
F: +1 509.586.2413 866.586.2413

△ NOTE: Permobil's warranty does not cover Creative Mobility Division frames and frame components, unless Permobil determines that the frame or frame component was defectively manufactured.

Creative Mobility Division

Please Email or Fax this page with the Order Form to TiLite Customer Service, orders@tilite.com or 866.586.2413 or +1 509.586.2413

Dealer Name: _____

Customer Name: _____

Account Number: _____

PO Number: _____

EZ-Ti ID: _____

V-FRONT IN 1/2" INCREMENTS

CMD Number: 84

Available On: TiLite TR, TiLite TRA, TiLite ZR, TiLite ZRA, TiLite Aero T, TiLite Aero Z

Requirements:

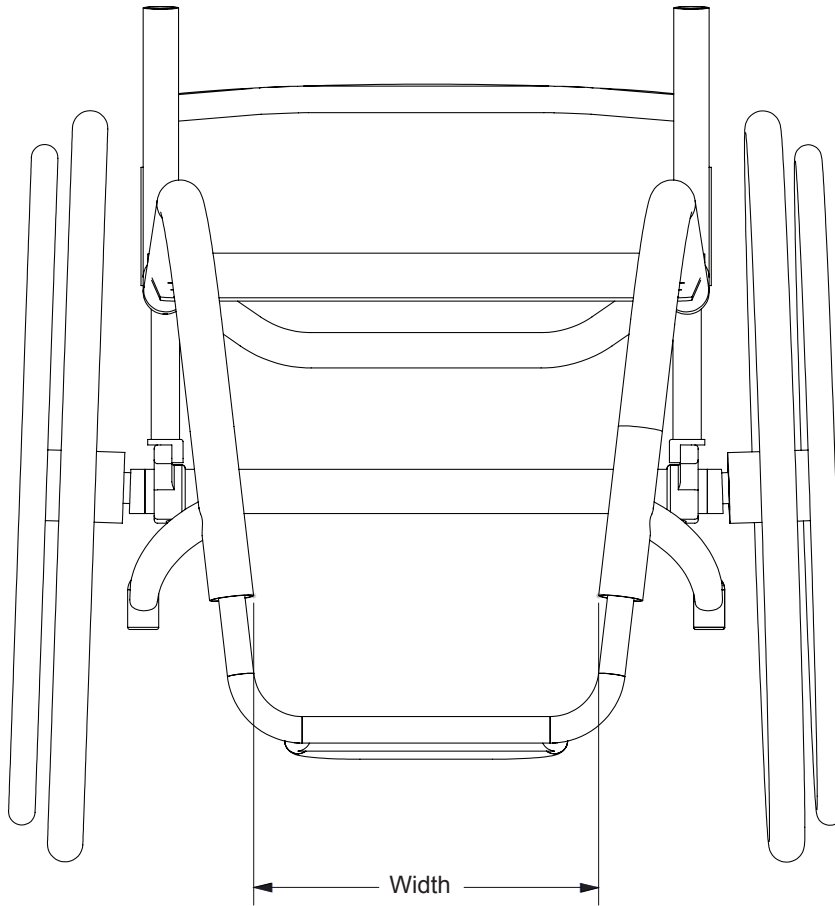
For Z series the max V-width is 3" narrower than the front seat outer width.

For T series the max V-width is 2.5" narrower than the front seat outer width.

Notes:

May not work with all chair configurations.

Width: _____



Special Instructions



2701 West Court St, Pasco Wa, 99301
P: +1 509.586.6117 800.545.2266
F: +1 509.586.2413 866.586.2413

△ NOTE: Permobil's warranty does not cover Creative Mobility Division frames and frame components, unless Permobil determines that the frame or frame component was defectively manufactured.

Backrest Options

Creative Mobility Division

Please Email or Fax this page with the Order Form to TiLite Customer Service, orders@tilite.com or 866.586.2413 or +1 509.586.2413

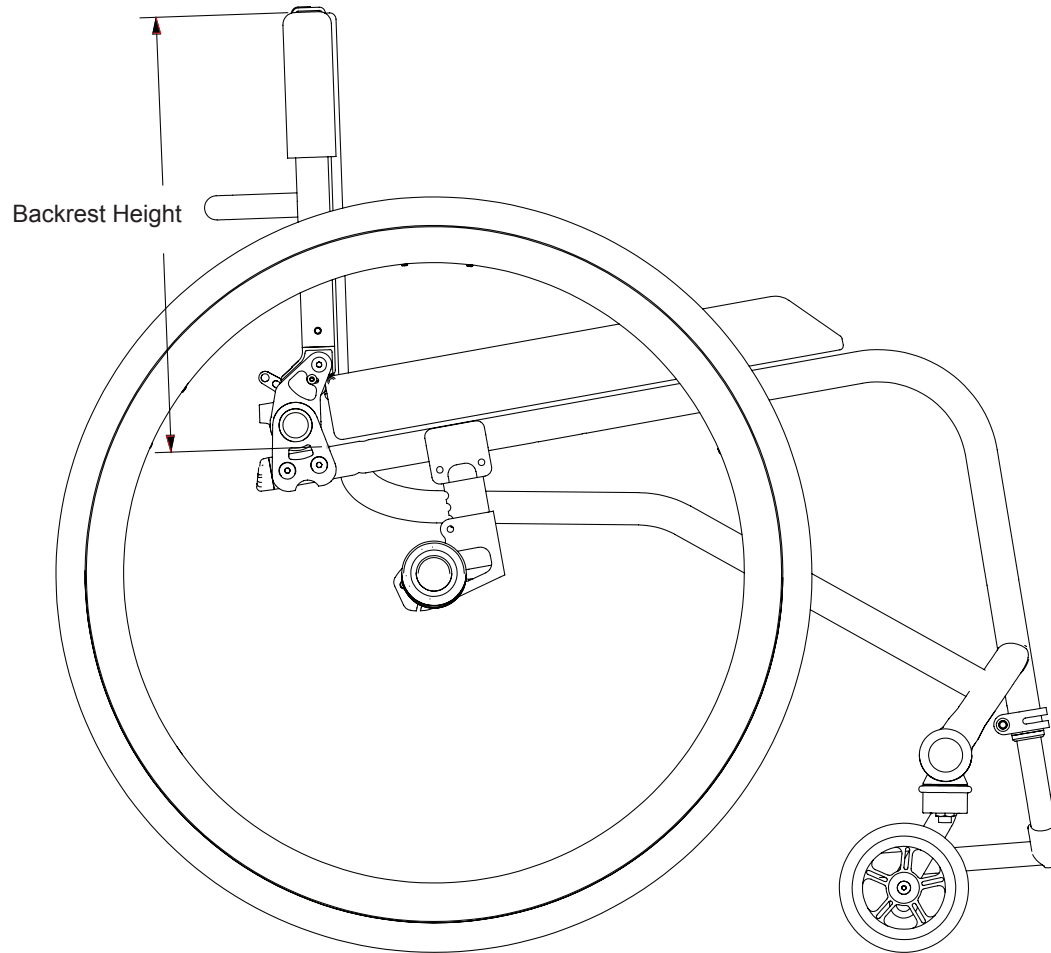
Dealer Name: _____

Customer Name: _____

Account Number: _____

PO Number: _____

EZ-Ti ID: _____



ADAPTED ADJUSTABLE HEIGHT FOLDING BACKREST

CMD Number: 9

Available On: TiLite TR, TiLite TRA, TiLite ZR, TiLite ZRA, TiLite Aero T, TiLite Aero Z, TiLite Twist

Requirements:

Choose Aluminum or Titanium back on order form. Only available on Rigid Frames.

Notes:

The height adjustment range is 2 1/2" upwards from the specified height. Please round desired height to the nearest 1/2". May not work with all chair configurations. Max height is 4" over standard.

Backrest Height: _____

Special Instructions



2701 West Court St, Pasco Wa, 99301
P: +1 509.586.6117 800.545.2266
F: +1 509.586.2413 866.586.2413

△ NOTE: Permobil's warranty does not cover Creative Mobility Division frames and frame components, unless Permobil determines that the frame or frame component was defectively manufactured.

Creative Mobility Division

Please Email or Fax this page with the Order Form to TiLite Customer Service, orders@tilite.com or 866.586.2413 or +1 509.586.2413

Dealer Name: _____

Customer Name: _____

Account Number: _____

PO Number: _____

EZ-Ti ID: _____

ADAPTED FIXED HEIGHT FOLDING BACKREST

CMD Number: 17

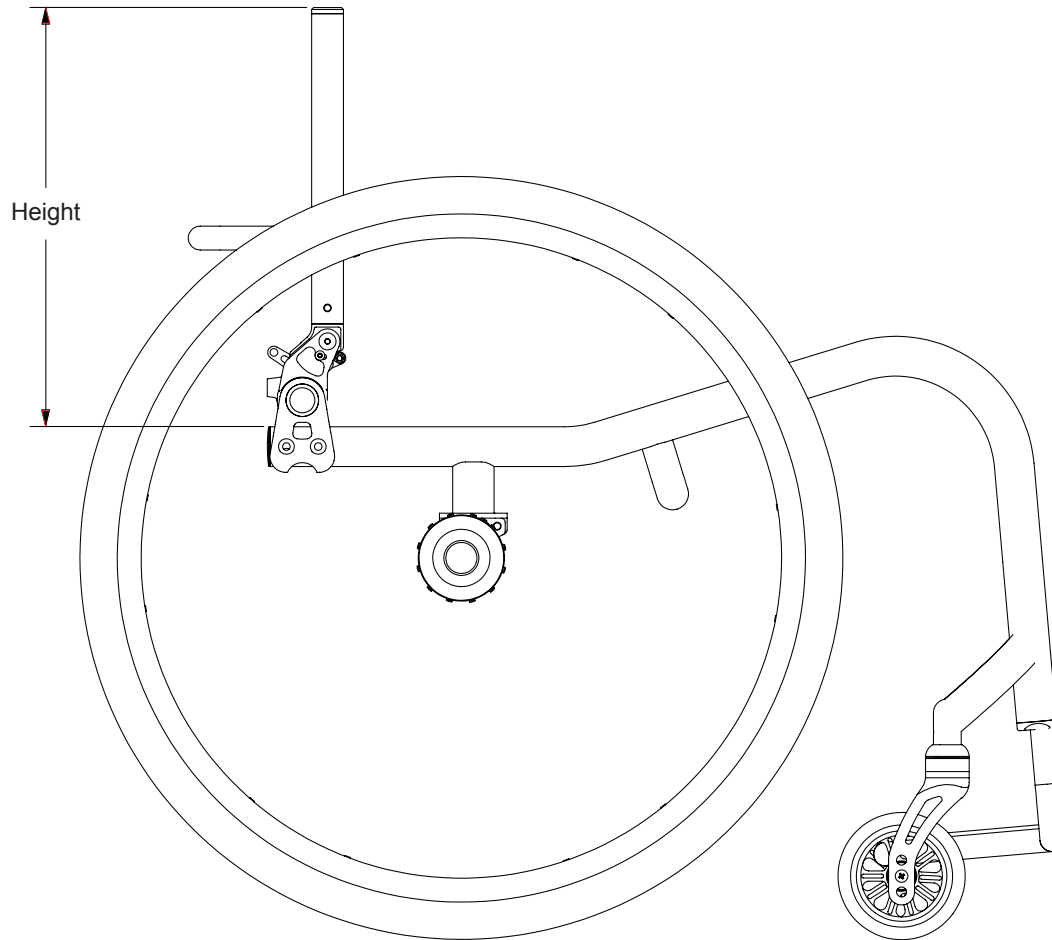
Available On: TiLite TR, TiLite TRA, TiLite ZR, TiLite ZRA, TiLite Aero T, TiLite Aero Z

Requirements:

Notes:

May not work with all chair configurations.

Height: _____



Special Instructions



2701 West Court St, Pasco Wa, 99301
P: +1 509.586.6117 800.545.2266
F: +1 509.586.2413 866.586.2413

△ NOTE: Permobil's warranty does not cover Creative Mobility Division frames and frame components, unless Permobil determines that the frame or frame component was defectively manufactured.

Creative Mobility Division

Please Email or Fax this page with the Order Form to TiLite Customer Service, orders@tilite.com or 866.586.2413 or +1 509.586.2413

Dealer Name: _____

Customer Name: _____

Account Number: _____

PO Number: _____

EZ-Ti ID: _____

CUSTOM SIZE ISLEEVE

CMD Number: 18

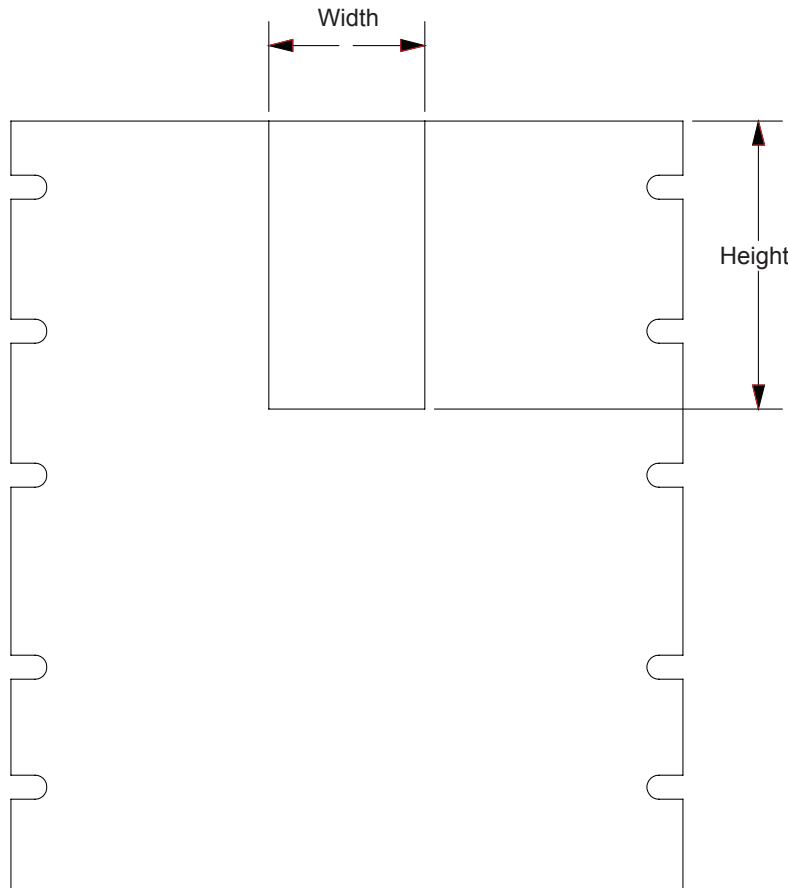
Available On: TiLite TR, TiLite TRA, TiLite ZR, TiLite ZRA, TiLite Aero T, TiLite Aero Z

Requirements:

Notes:

May not work with all chair configurations.

Height: _____



Special Instructions



2701 West Court St, Pasco Wa, 99301
P: +1 509.586.6117 800.545.2266
F: +1 509.586.2413 866.586.2413

△ NOTE: Permobil's warranty does not cover Creative Mobility Division frames and frame components, unless Permobil determines that the frame or frame component was defectively manufactured.

Creative Mobility Division

Please Email or Fax this page with the Order Form to TiLite Customer Service, orders@tilite.com or 866.586.2413 or +1 509.586.2413

Dealer Name: _____

Customer Name: _____

Account Number: _____

PO Number: _____

EZ-Ti ID: _____

ADJUSTABLE HEIGHT NONFOLDING BACKREST

CMD Number: 19

Available On: TiLite TR, TiLite TRA, TiLite ZR, TiLite ZRA

Requirements:

Only available on Titanium chairs.

Notes:

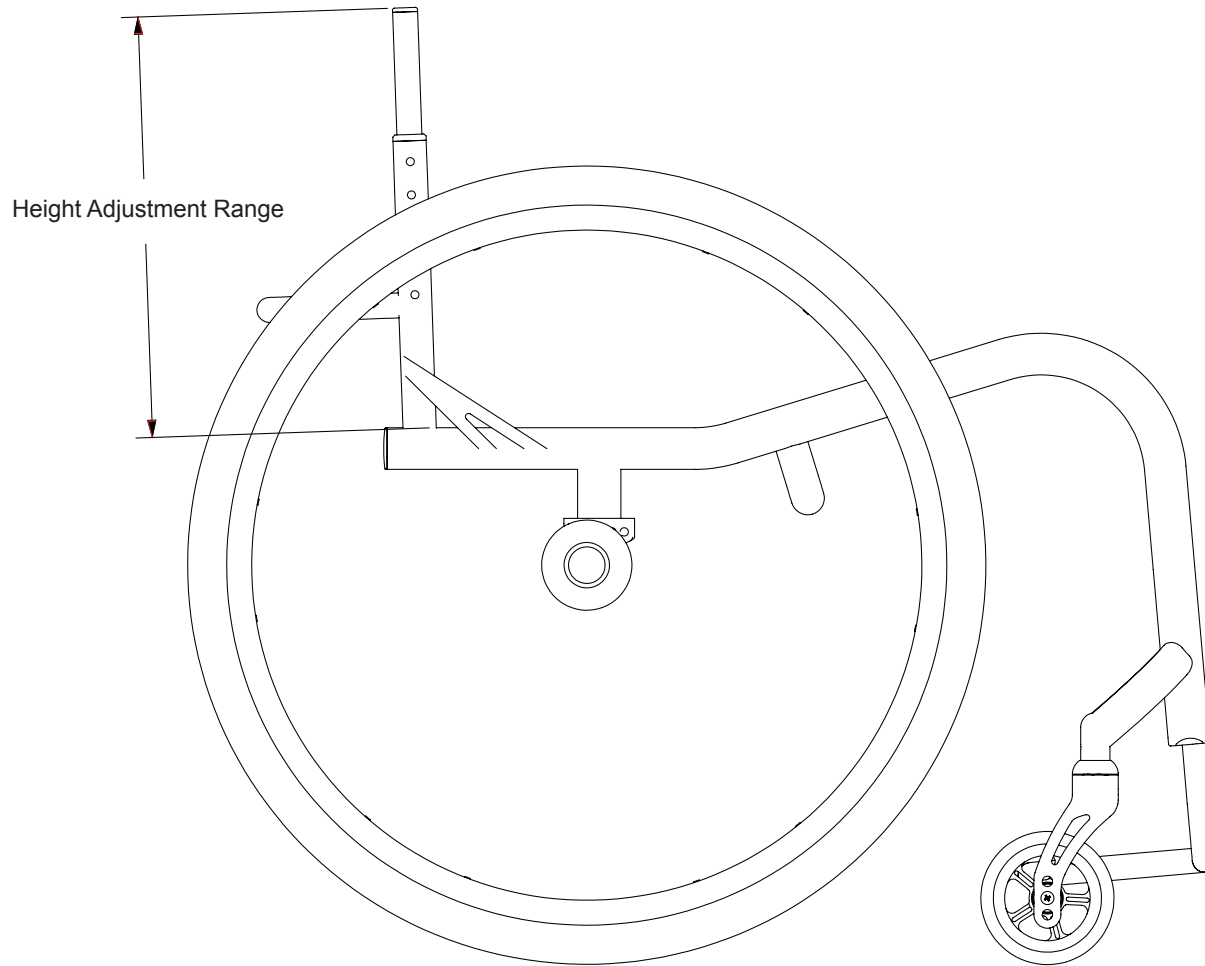
Minimum height is 9.5"

Maximum height is 22"

Also available with integrated or integrated fold-down push handles.

May not work with all chair configurations.

Height Adjustment Range: _____ to _____



Special Instructions



2701 West Court St, Pasco Wa, 99301
P: +1 509.586.6117 800.545.2266
F: +1 509.586.2413 866.586.2413

△ NOTE: Permobil's warranty does not cover Creative Mobility Division frames and frame components, unless Permobil determines that the frame or frame component was defectively manufactured.

Creative Mobility Division

Please Email or Fax this page with the Order Form to TiLite Customer Service, orders@tilite.com or 866.586.2413 or +1 509.586.2413

Dealer Name: _____

Customer Name: _____

Account Number: _____

PO Number: _____

EZ-Ti ID: _____

INWARD TAPERED SEAT BACK, FOLDING ADJUSTABLE HEIGHT

CMD Number: 26

Available On: TiLite TR, TiLite TRA, TiLite ZR, TiLite ZRA, TiLite Aero T, TiLite Aero Z.

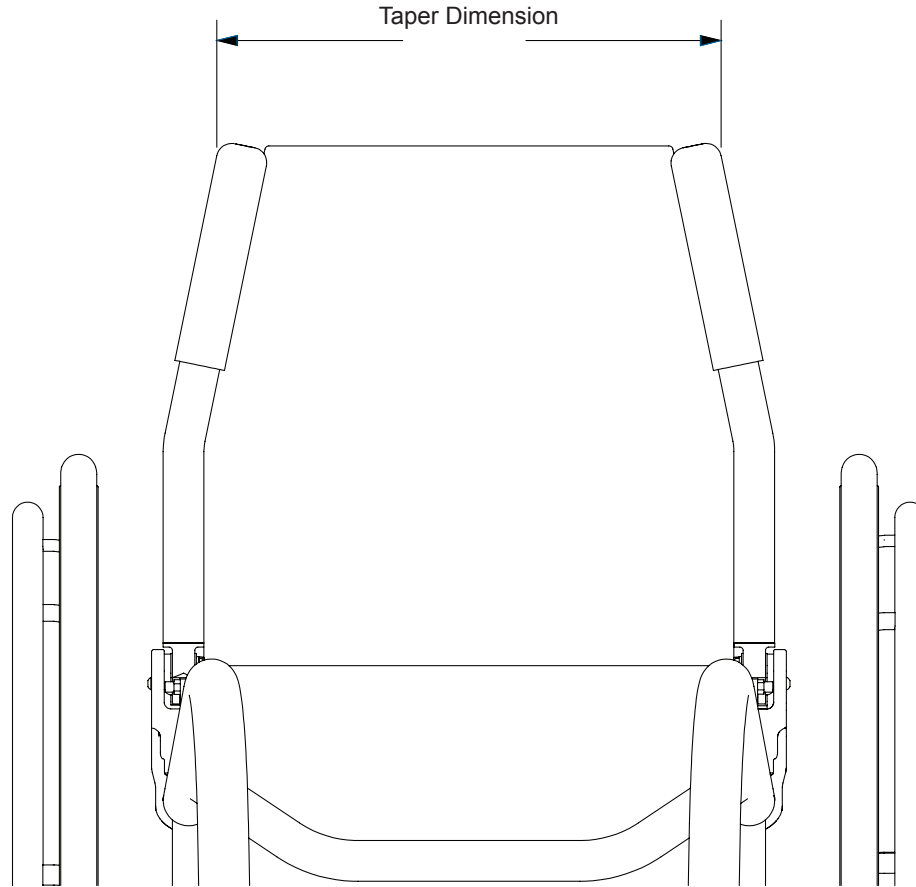
Requirements:

Chair must have a folding backrest.
Available on rigid chairs only.

Notes:

Taper dimension changes as seat back height is adjusted.
Height of rigidizer bar may vary with the amount of taper.
May not work with all chair configurations.

Taper Dimension: _____



Special Instructions



2701 West Court St, Pasco Wa, 99301
P: +1 509.586.6117 800.545.2266
F: +1 509.586.2413 866.586.2413

△ NOTE: Permobil's warranty does not cover Creative Mobility Division frames and frame components, unless Permobil determines that the frame or frame component was defectively manufactured.

Creative Mobility Division

Please Email or Fax this page with the Order Form to TiLite Customer Service, orders@tilite.com or 866.586.2413 or +1 509.586.2413

Dealer Name: _____

Customer Name: _____

Account Number: _____

PO Number: _____

EZ-Ti ID: _____

INWARD TAPERED S-CURVED SEAT BACK, FOLDING FIXED HEIGHT

CMD Number: 27

Available On: TiLite TR, TiLite TRA, TiLite ZR, TiLite ZRA, TiLite Aero T, TiLite Aero Z.

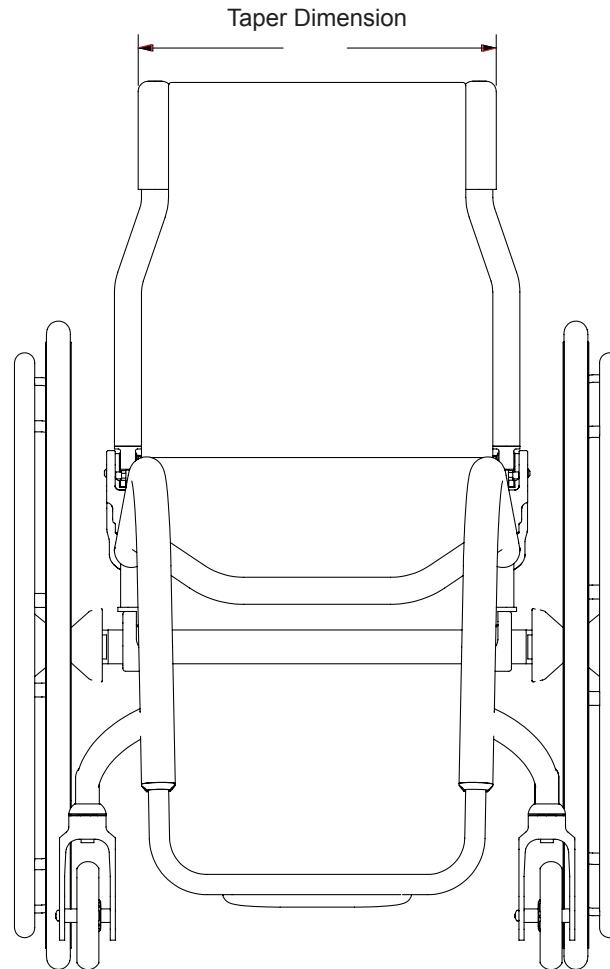
Requirements:

Available on rigid chairs only.
Chair must have a folding backrest.

Notes:

Height of rigidizer bar may vary with the amount of taper and height requested.
May not work with all chair configurations.

Taper Dimension: _____



Special Instructions



2701 West Court St, Pasco Wa, 99301
P: +1 509.586.6117 800.545.2266
F: +1 509.586.2413 866.586.2413

△ NOTE: Permobil's warranty does not cover Creative Mobility Division frames and frame components, unless Permobil determines that the frame or frame component was defectively manufactured.

Creative Mobility Division

Please Email or Fax this page with the Order Form to TiLite Customer Service, orders@tilite.com or 866.586.2413 or +1 509.586.2413

Dealer Name: _____

Customer Name: _____

Account Number: _____

PO Number: _____

EZ-Ti ID: _____

OUTWARD TAPERED S-CURVED SEAT BACK, FOLDING FIXED HEIGHT

CMD Number: 28

Available On: TiLite TR, TiLite TRA, TiLite ZR, TiLite ZRA, TiLite Aero T, TiLite Aero Z.

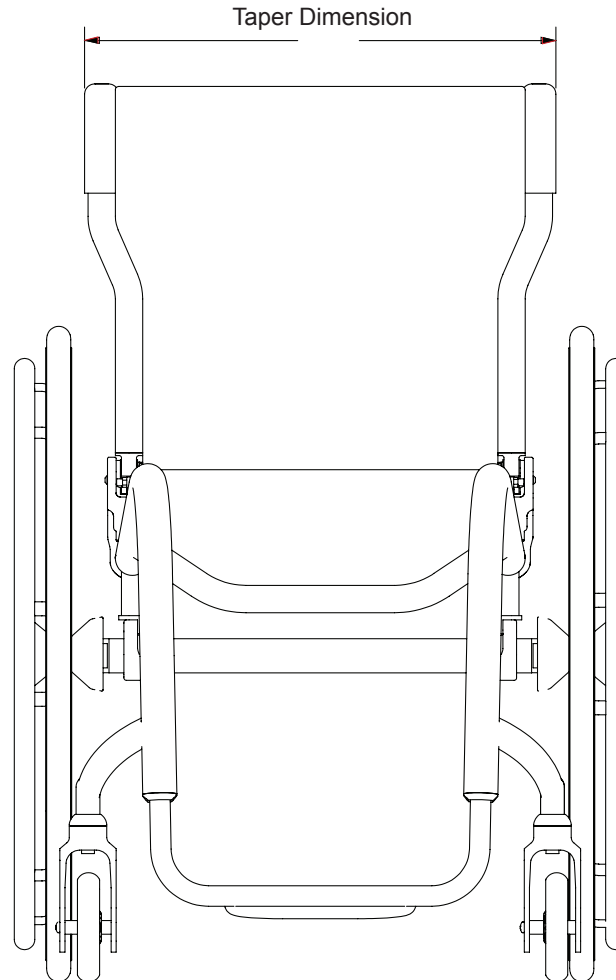
Requirements:

Available on rigid chairs only.
Chair must have a folding backrest.

Notes:

Height of rigidizer bar may vary with the amount of taper and height.
Outward tapered seat back may interfere with Swing Away Armrests.
May not work in certain chair configurations.

Taper Dimension: _____



Special Instructions



2701 West Court St, Pasco Wa, 99301
P: +1 509.586.6117 800.545.2266
F: +1 509.586.2413 866.586.2413

△ NOTE: Permobil's warranty does not cover Creative Mobility Division frames and frame components, unless Permobil determines that the frame or frame component was defectively manufactured.

Creative Mobility Division

Please Email or Fax this page with the Order Form to TiLite Customer Service, orders@tilite.com or 866.586.2413 or +1 509.586.2413

Dealer Name: _____

Customer Name: _____

Account Number: _____

PO Number: _____

EZ-Ti ID: _____

OUTWARD TAPERED SEAT BACK, FOLDING ADJUSTABLE HEIGHT

CMD Number: 29

Available On: TiLite TR, TiLite TRA, TiLite ZR, TiLite ZRA, TiLite Aero T, TiLite Aero Z.

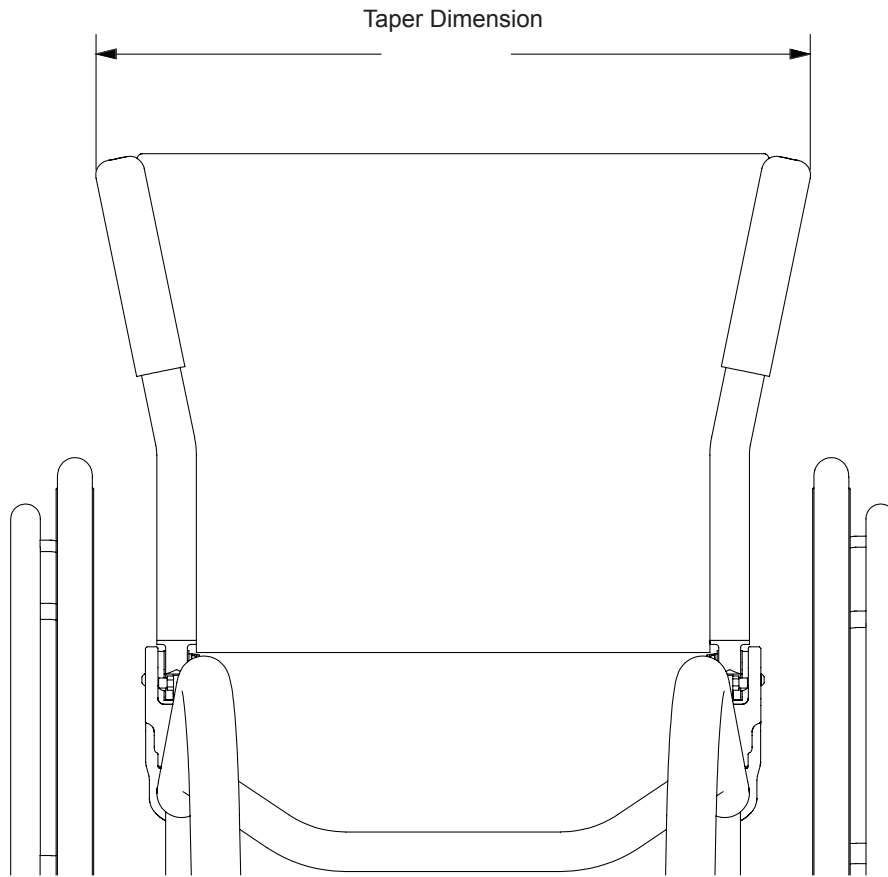
Requirements:

Chair must have a folding backrest.
Available on rigid chairs only.

Notes:

Taper dimension changes as seat back height is adjusted.
Height of rigidizer bar may vary with the amount of taper and height.
Outward tapered seat back may interfere with armrests.
May not work with all chair configurations.

Taper Dimension: _____



Special Instructions



2701 West Court St, Pasco Wa, 99301
P: +1 509.586.6117 800.545.2266
F: +1 509.586.2413 866.586.2413

△ NOTE: Permobil's warranty does not cover Creative Mobility Division frames and frame components, unless Permobil determines that the frame or frame component was defectively manufactured.

Creative Mobility Division

Please Email or Fax this page with the Order Form to TiLite Customer Service, orders@tilite.com or 866.586.2413 or +1 509.586.2413

Dealer Name: _____

Customer Name: _____

Account Number: _____

PO Number: _____

EZ-Ti ID: _____

ADAPTED HEIGHT FIXED BACKREST

CMD Number: 57

Available On: TiLite TR, TiLite TRA, TiLite ZR, TiLite ZRA

Requirements:

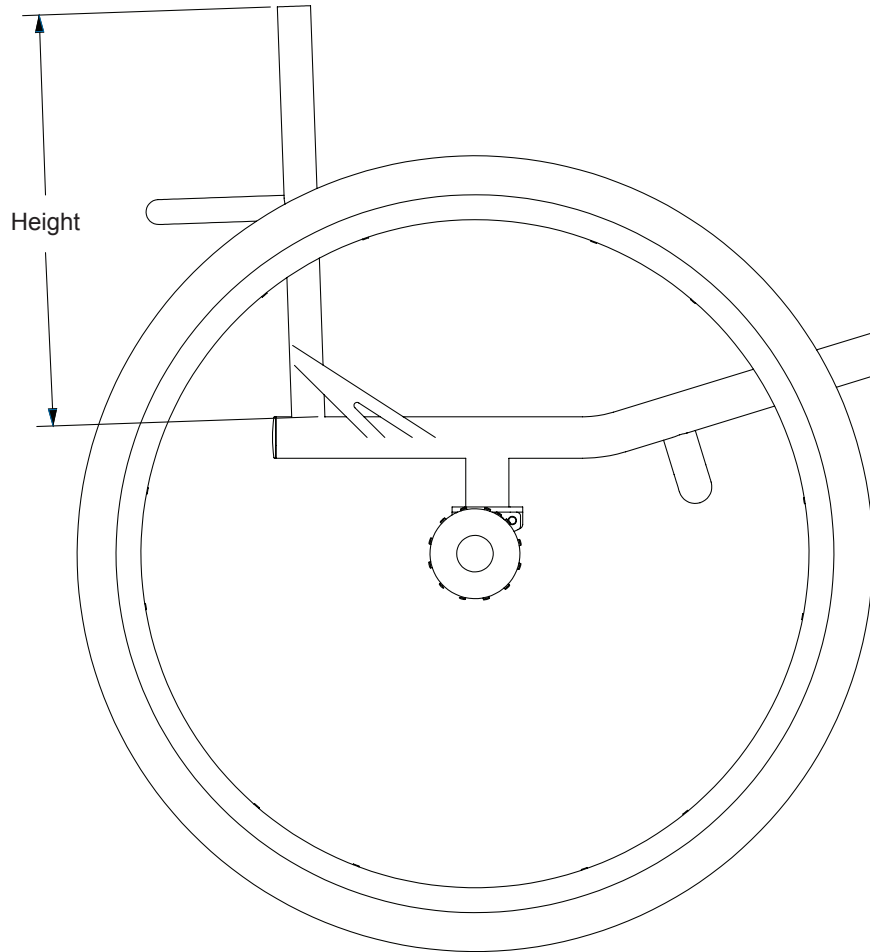
Only available on titanium rigid frames.

Notes:

Backrest height cannot be less than 5" and cannot exceed 20".

May not work with all chair configurations.

Backrest Height : _____



Special Instructions



2701 West Court St, Pasco Wa, 99301
P: +1 509.586.6117 800.545.2266
F: +1 509.586.2413 866.586.2413

△ NOTE: Permobil's warranty does not cover Creative Mobility Division frames and frame components, unless Permobil determines that the frame or frame component was defectively manufactured.

Creative Mobility Division

Please Email or Fax this page with the Order Form to TiLite Customer Service, orders@tilite.com or 866.586.2413 or +1 509.586.2413

Dealer Name: _____

Customer Name: _____

Account Number: _____

PO Number: _____

EZ-Ti ID: _____

UNIQUE-HEIGHT BACKREST RIGIDIZER BAR

CMD Number: 85

Available On: TiLite TR, TiLite TRA, TiLite ZR, TiLite ZRA, TiLite Aero T, TiLite Aero Z, TiLite Twist

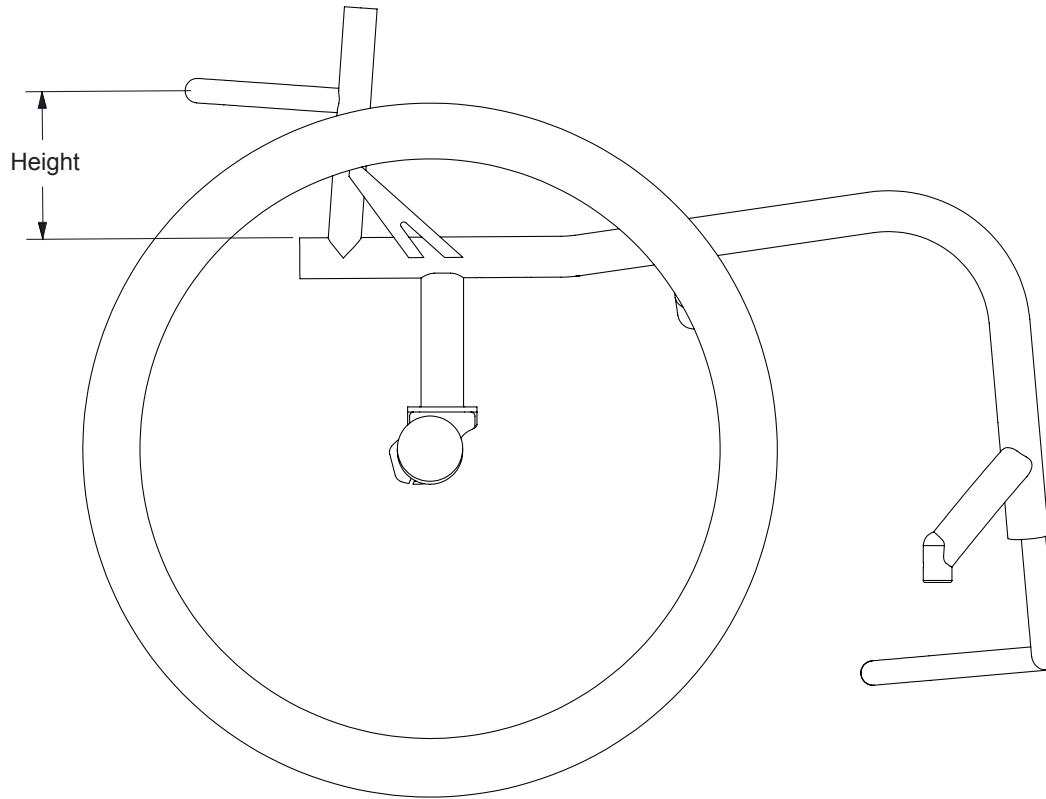
Requirements:

There needs to be 3" difference from the top of the rigidizer bar to the seat back height setting if back upholstery is ordered with the wheelchair. Bolt-on backrest-shell height and angle adjustments may be limited on some configurations.

Notes:

May not work with all chair configurations.

Height: _____



Special Instructions



2701 West Court St, Pasco Wa, 99301
P: +1 509.586.6117 800.545.2266
F: +1 509.586.2413 866.586.2413

△ NOTE: Permobil's warranty does not cover Creative Mobility Division frames and frame components, unless Permobil determines that the frame or frame component was defectively manufactured.

Sideguards and Armrests

Creative Mobility Division

Please Email or Fax this page with the Order Form to TiLite Customer Service, orders@tilite.com or 866.586.2413 or +1 509.586.2413

Dealer Name: _____

Customer Name: _____

Account Number: _____

PO Number: _____

EZ-Ti ID: _____

PROFILED RIGID REMOVABLE SIDEGUARD

CMD Number: 7

Available On: TiLite TR, TiLite TRA, TiLite Aero T, TiLite ZR, TiLite ZRA, TiLite Aero Z, TiLite Twist, TiLite Aero X, TiLite 2GX

Requirements:

Requires rigid removable side guards, available in Aluminum and Carbon Fiber.

Offset can be above or below the rear tire.

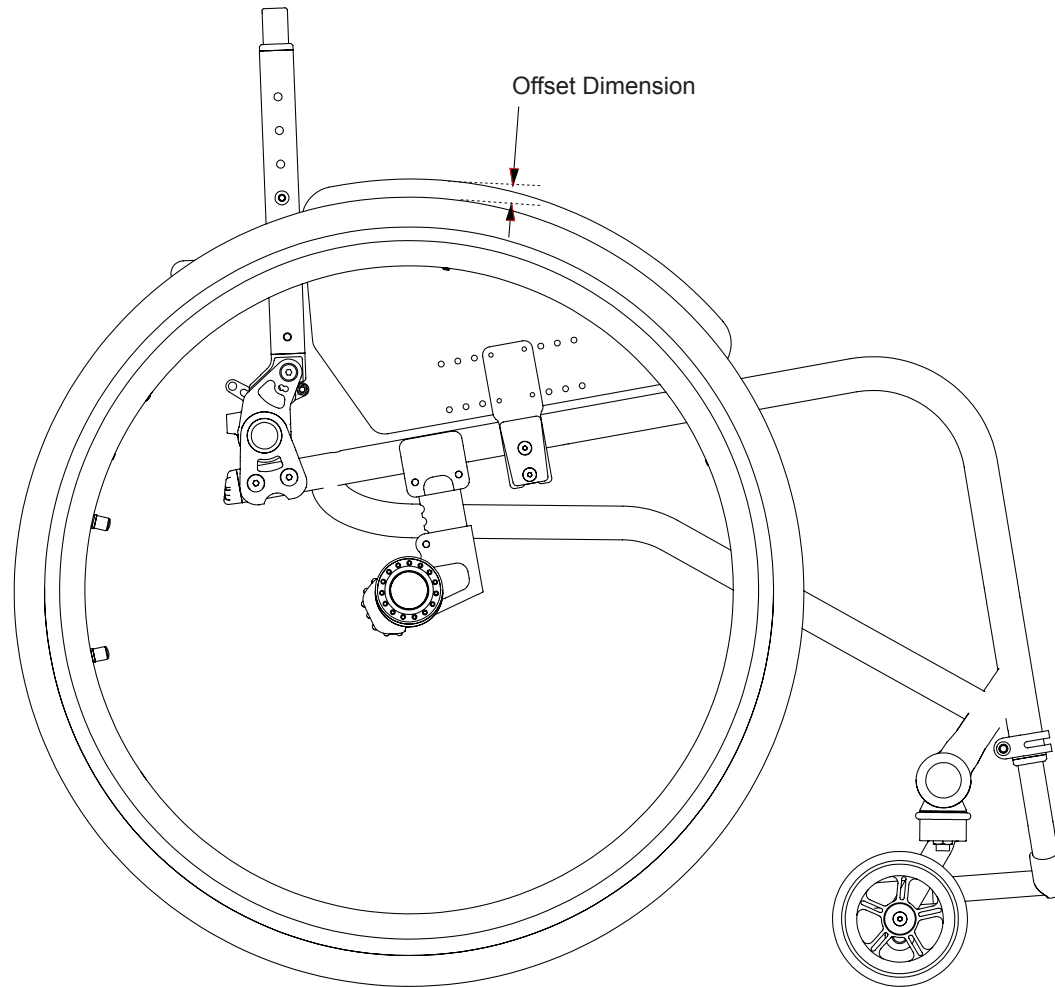
Side guards will be cut profiling the rear tire.

Notes:

Aluminum side guards are black powdercoated with edge molding.

May not work with all chair configurations.

Offset: _____ Above or Below _____



Special Instructions



2701 West Court St, Pasco Wa, 99301
P: +1 509.586.6117 800.545.2266
F: +1 509.586.2413 866.586.2413

△ NOTE: Permobil's warranty does not cover Creative Mobility Division frames and frame components, unless Permobil determines that the frame or frame component was defectively manufactured.

Creative Mobility Division

Please Email or Fax this page with the Order Form to TiLite Customer Service, orders@tilite.com or 866.586.2413 or +1 509.586.2413

Dealer Name: _____

Customer Name: _____

Account Number: _____

PO Number: _____

EZ-Ti ID: _____

ADAPTED SPACING ON DESK ARM

CMD Number: 12

Available On: TiLite TR, TiLite TRA, TiLite ZR, TiLite ZRA, TiLite Aero Z, TiLite Aero T, TiLite Twist

Requirements:

Only available on rigid frames or twist

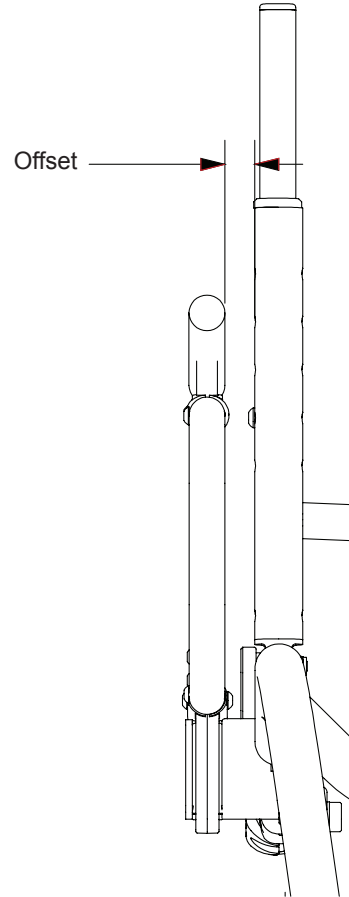
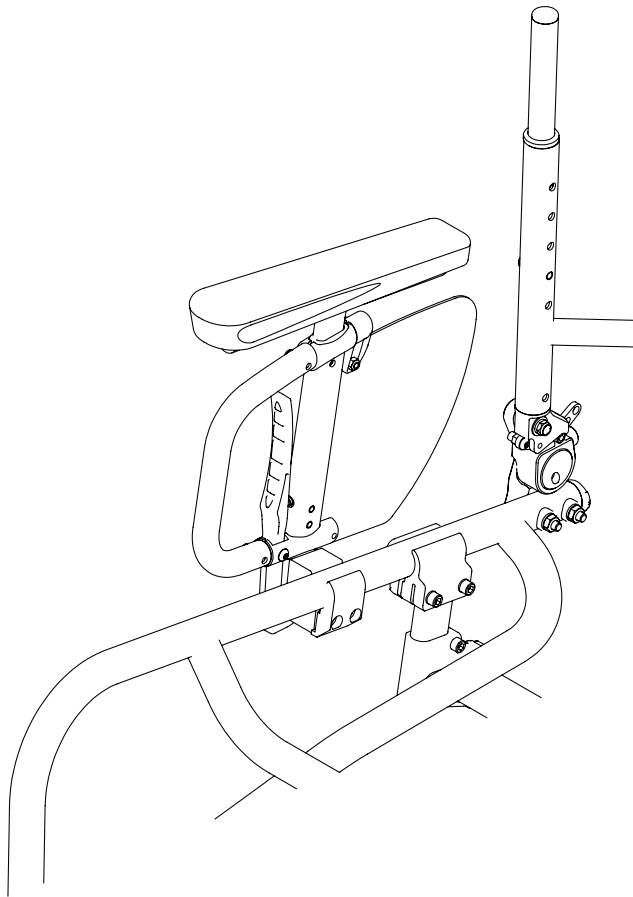
Notes:

Non-standard desk arm spacing may require rear wheels spacing to be increased for clearance.

Offsets are selectable in 1/4" increments up to 1".

May not work with all chair configurations.

Desk Arm Offset (1/4" increments only): _____



Special Instructions



2701 West Court St, Pasco Wa, 99301
P: +1 509.586.6117 800.545.2266
F: +1 509.586.2413 866.586.2413

△ NOTE: Permobil's warranty does not cover Creative Mobility Division frames and frame components, unless Permobil determines that the frame or frame component was defectively manufactured.

Creative Mobility Division

Please Email or Fax this page with the Order Form to TiLite Customer Service, orders@tilite.com or 866.586.2413 or +1 509.586.2413

Dealer Name: _____

Customer Name: _____

Account Number: _____

PO Number: _____

EZ-Ti ID: _____

ADAPTED SPACING ON SIDE GUARD

CMD Number: 15

Available On: TiLite TR, TiLite TRA, TiLite ZR, TiLite ZRA, TiLite Aero T, TiLite Aero Z, TiLite Twist

Requirements:

Only available on rigid frames or Twist.

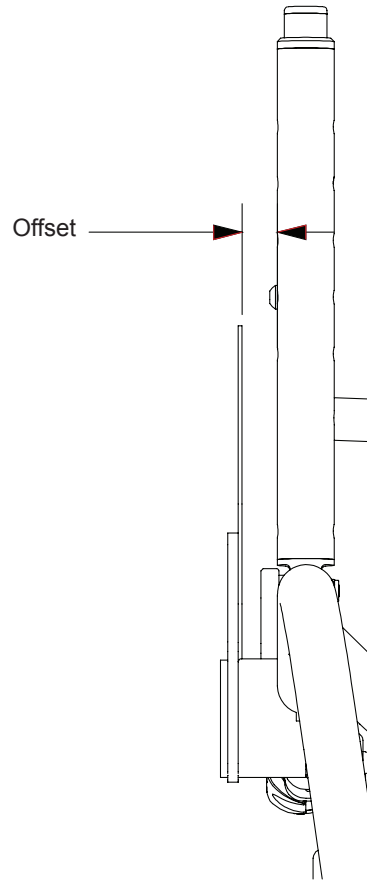
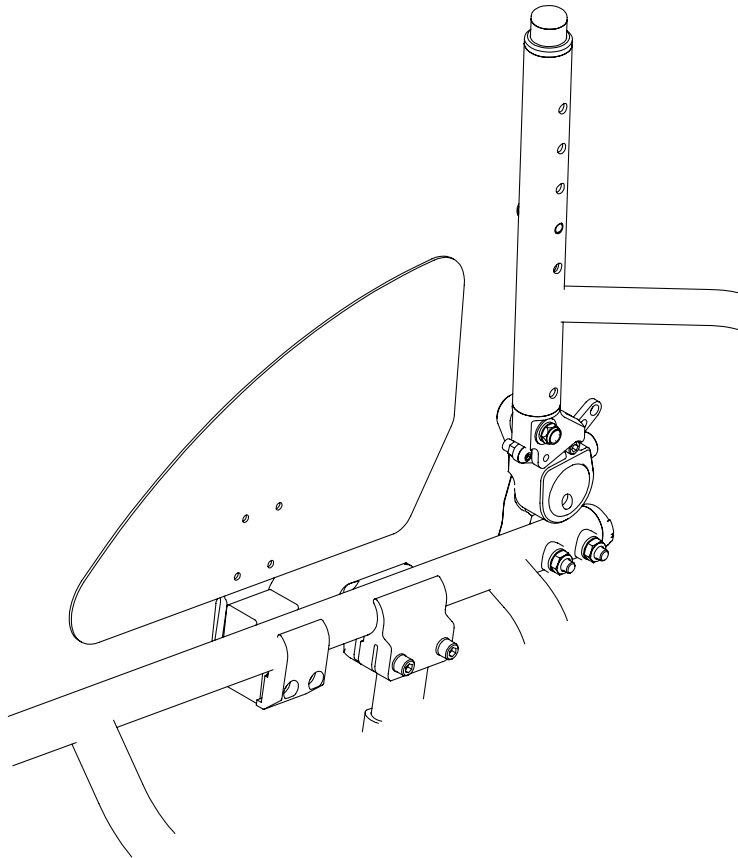
Notes:

Non-standard Side guard spacing may require rear wheels spacing to be increased for clearance.

Offsets are selectable in 1/4" increments up to 1".

May not work with all chair configurations.

Side Guard Offset (1/4" increments only): _____



Special Instructions



2701 West Court St, Pasco Wa, 99301
P: +1 509.586.6117 800.545.2266
F: +1 509.586.2413 866.586.2413

△ NOTE: Permobil's warranty does not cover Creative Mobility Division frames and frame components, unless Permobil determines that the frame or frame component was defectively manufactured.

Creative Mobility Division

Please Email or Fax this page with the Order Form to TiLite Customer Service, orders@tilite.com or 866.586.2413 or +1 509.586.2413

Dealer Name: _____

Customer Name: _____

Account Number: _____

PO Number: _____

EZ-Ti ID: _____

UNIQUE RANGE HEIGHT ADJUSTABLE FLIP-BACK ARMREST

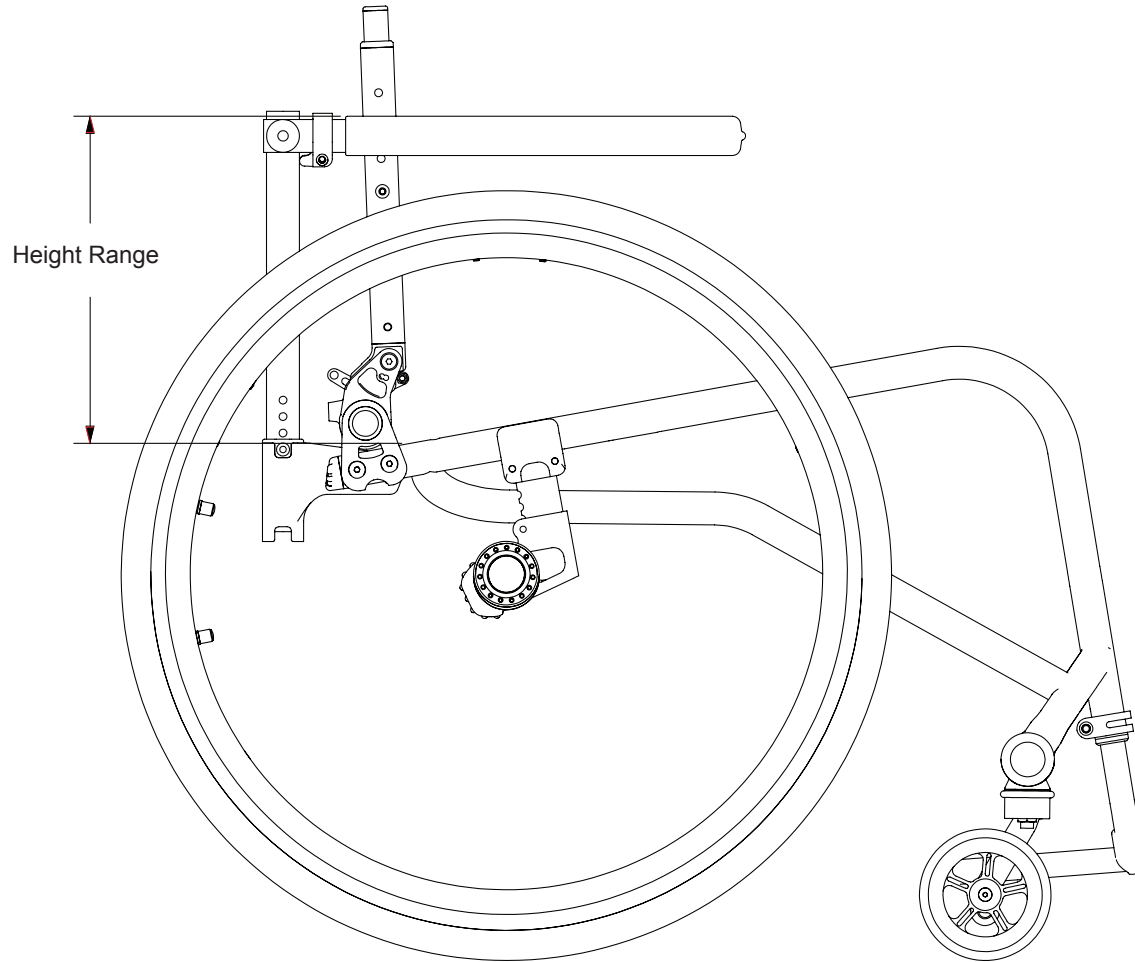
CMD Number: 24

Available On: TiLite TR, TiLite TRA, TiLite ZR, TiLite ZRA, TiLite Aero T, TiLite Aero Z

Requirements:
Only available on Rigid Frames.

Notes:
Height range must not exceed 3".
May not work with all chair configurations.

Height Range: _____ to _____



Special Instructions



2701 West Court St, Pasco Wa, 99301
P: +1 509.586.6117 800.545.2266
F: +1 509.586.2413 866.586.2413

⚠ NOTE: Permobil's warranty does not cover Creative Mobility Division frames and frame components, unless Permobil determines that the frame or frame component was defectively manufactured.

Creative Mobility Division

Please Email or Fax this page with the Order Form to TiLite Customer Service, orders@tilite.com or 866.586.2413 or +1 509.586.2413

Dealer Name: _____

Customer Name: _____

Account Number: _____

PO Number: _____

EZ-Ti ID: _____

FIXED FENDERED SIDE GUARDS

CMD Number: 33

Available On: TiLite TR, TiLite TRA, TiLite ZR, TiLite ZRA.

Requirements:

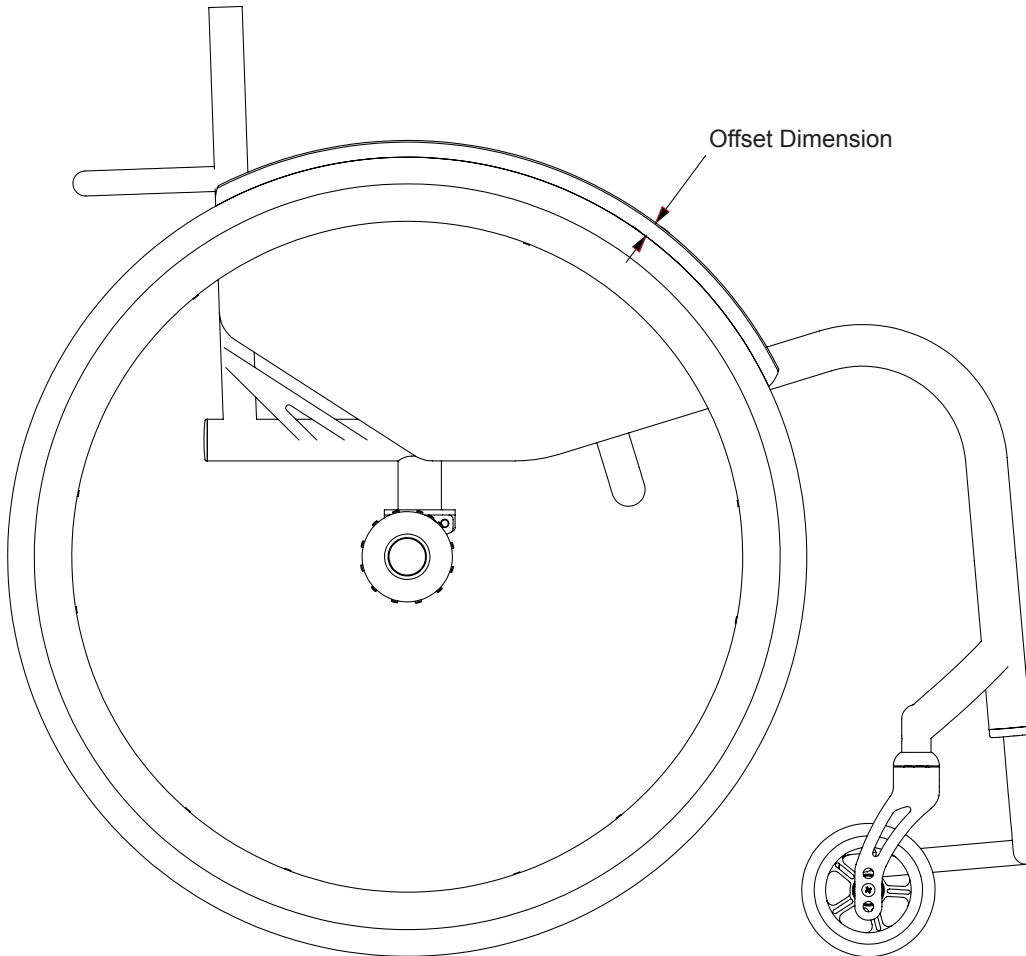
Fixed Carbon Fiber Side Guard only available with non-folding backrest Offset dimension must be no less than 1/4" above rear wheel.

Notes:

Fixed Fendered Side Guard is profiled above rear wheel. Available in Aluminum or Carbon Fiber.

Aluminum or Carbon Fiber

Offset Dimension: _____



Special Instructions



2701 West Court St, Pasco Wa, 99301
P: +1 509.586.6117 800.545.2266
F: +1 509.586.2413 866.586.2413

△ NOTE: Permobil's warranty does not cover Creative Mobility Division frames and frame components, unless Permobil determines that the frame or frame component was defectively manufactured.

Creative Mobility Division

Please Email or Fax this page with the Order Form to TiLite Customer Service, orders@tilite.com or 866.586.2413 or +1 509.586.2413

Dealer Name: _____

Customer Name: _____

Account Number: _____

PO Number: _____

EZ-Ti ID: _____

POLISHED ALUMINUM FIXED SIDE GUARDS

CMD Number: 41

Available On: TiLite TR, TiLite TRA, TiLite ZR, TiLite ZRA.

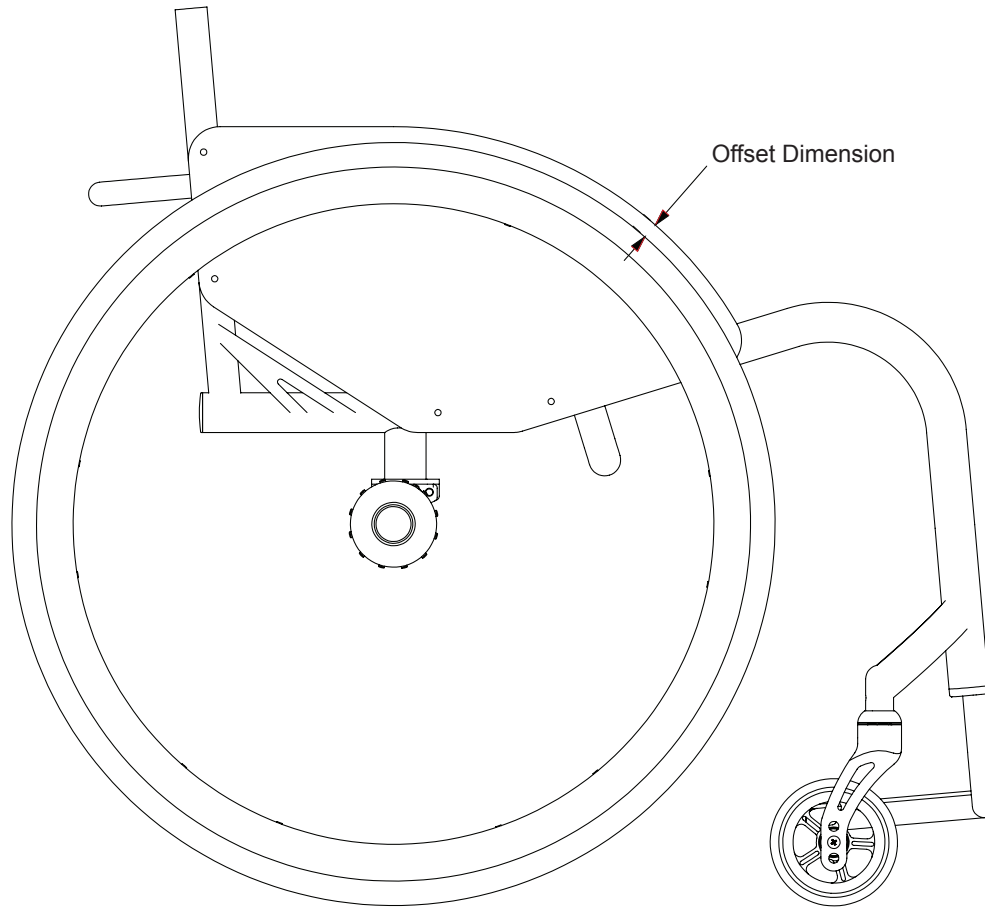
Requirements:

Only available with non-folding backrest.

Notes:

Side Guard panel is profiled to rear wheel.
May not work with all chair configurations.

Offset Dimension: _____



Special Instructions



2701 West Court St, Pasco Wa, 99301
P: +1 509.586.6117 800.545.2266
F: +1 509.586.2413 866.586.2413

△ NOTE: Permobil's warranty does not cover Creative Mobility Division frames and frame components, unless Permobil determines that the frame or frame component was defectively manufactured.

Creative Mobility Division

Please Email or Fax this page with the Order Form to TiLite Customer Service, orders@tilite.com or 866.586.2413 or +1 509.586.2413

Dealer Name: _____

Customer Name: _____

Account Number: _____

PO Number: _____

EZ-Ti ID: _____

ADAPTED HEIGHT AND THICKNESS SWING AWAY ARMREST

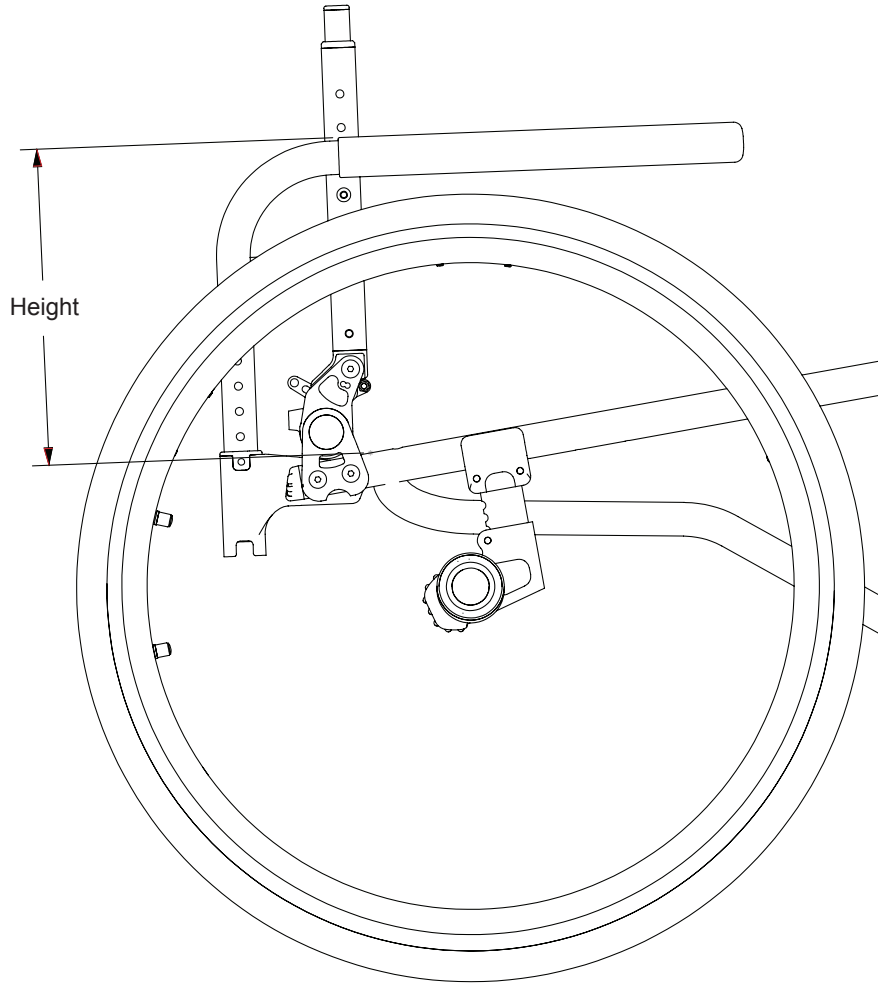
CMD Number: 51

Available On: TiLite TR, TiLite TRA, TiLite ZR, TiLite ZRA, TiLite Aero T, TiLite Aero Z

Requirements:
Available on rigid chairs only.

Notes:
Swing away armrest tube is 1/8" thick.
May not work with all chair configurations.

Height: _____



Special Instructions



2701 West Court St, Pasco Wa, 99301
P: +1 509.586.6117 800.545.2266
F: +1 509.586.2413 866.586.2413

△ NOTE: Permobil's warranty does not cover Creative Mobility Division frames and frame components, unless Permobil determines that the frame or frame component was defectively manufactured.

Creative Mobility Division

Please Email or Fax this page with the Order Form to TiLite Customer Service, orders@tilite.com or 866.586.2413 or +1 509.586.2413

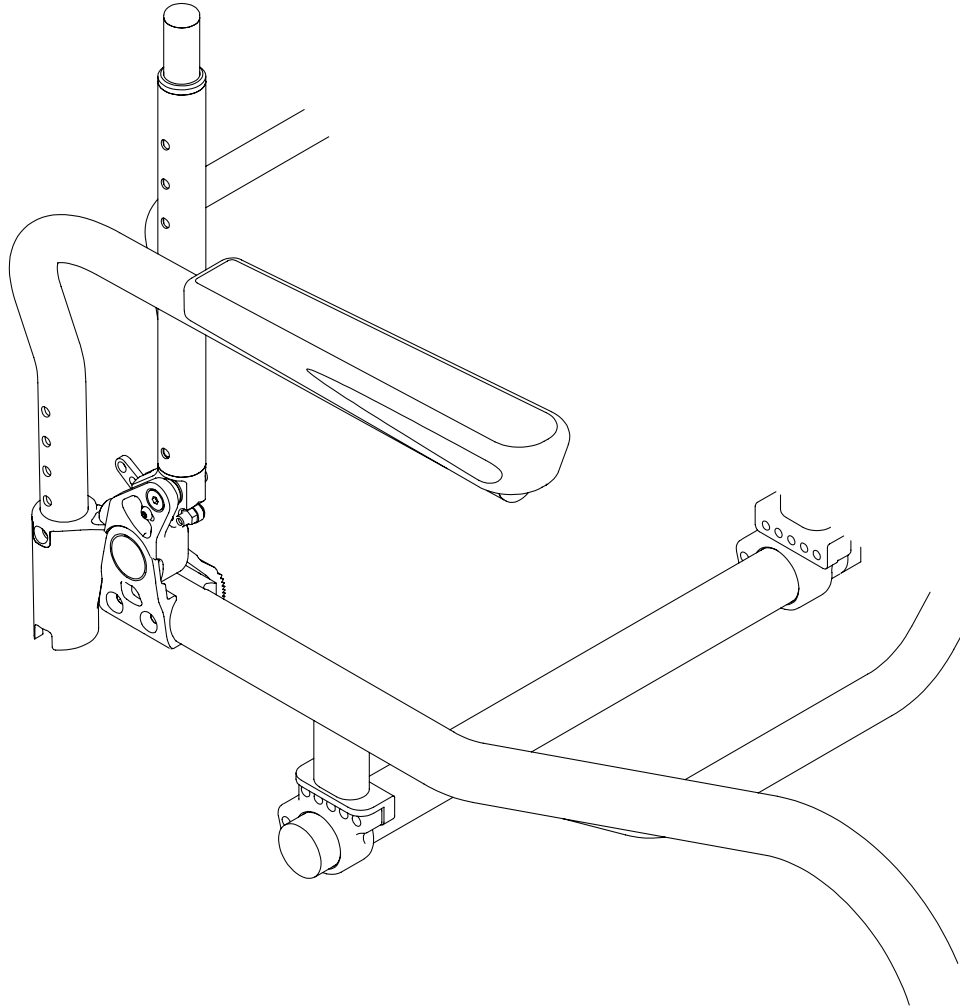
Dealer Name: _____

Customer Name: _____

Account Number: _____

PO Number: _____

EZ-Ti ID: _____



SWING AWAY TUBULAR ARMREST WITH DESK ARM PAD

CMD Number: 58

Available On: TiLite TR, TiLite TRA, TiLite ZR, TiLite ZRA, TiLite Aero T, TiLite Aero Z.

Requirements:
Folding backrest required.

Notes:
Desk arm pad attached to swing away tubular armrest.
May not work with all chair configurations.

Pad Length Standard or 10" extended

Special Instructions



2701 West Court St, Pasco Wa, 99301
P: +1 509.586.6117 800.545.2266
F: +1 509.586.2413 866.586.2413

△ NOTE: Permobil's warranty does not cover Creative Mobility Division frames and frame components, unless Permobil determines that the frame or frame component was defectively manufactured.

Creative Mobility Division

Please Email or Fax this page with the Order Form to TiLite Customer Service, orders@tilite.com or 866.586.2413 or +1 509.586.2413

Dealer Name: _____

Customer Name: _____

Account Number: _____

PO Number: _____

EZ-Ti ID: _____

SWING AWAY TUBULAR ARMREST WITH FULL LENGTH DESK ARM PAD

CMD Number: 59

Available On: TiLite TR, TiLite TRA, TiLite ZR, TiLite ZRA, TiLite Aero T, TiLite Aero Z.

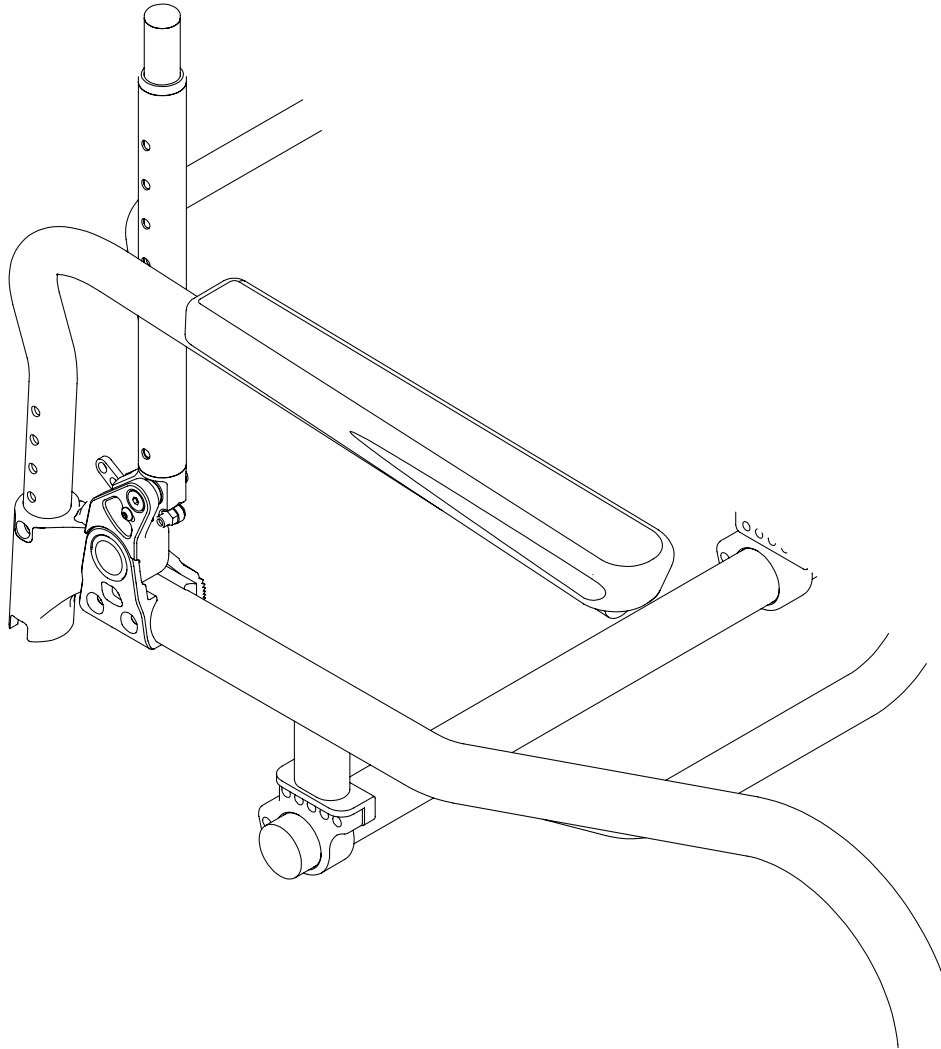
Requirements:

Folding backrest required.

Notes:

Full length desk arm pad attached to swing away armrest tube.

May not work with all chair configurations.



Special Instructions



2701 West Court St, Pasco Wa, 99301
P: +1 509.586.6117 800.545.2266
F: +1 509.586.2413 866.586.2413

△ NOTE: Permobil's warranty does not cover Creative Mobility Division frames and frame components, unless Permobil determines that the frame or frame component was defectively manufactured.

Creative Mobility Division

Please Email or Fax this page with the Order Form to TiLite Customer Service, orders@tilite.com or 866.586.2413 or +1 509.586.2413

Dealer Name: _____

Customer Name: _____

Account Number: _____

PO Number: _____

EZ-Ti ID: _____

FOLDING CHAIR CLAMP ON SIDE GUARDS

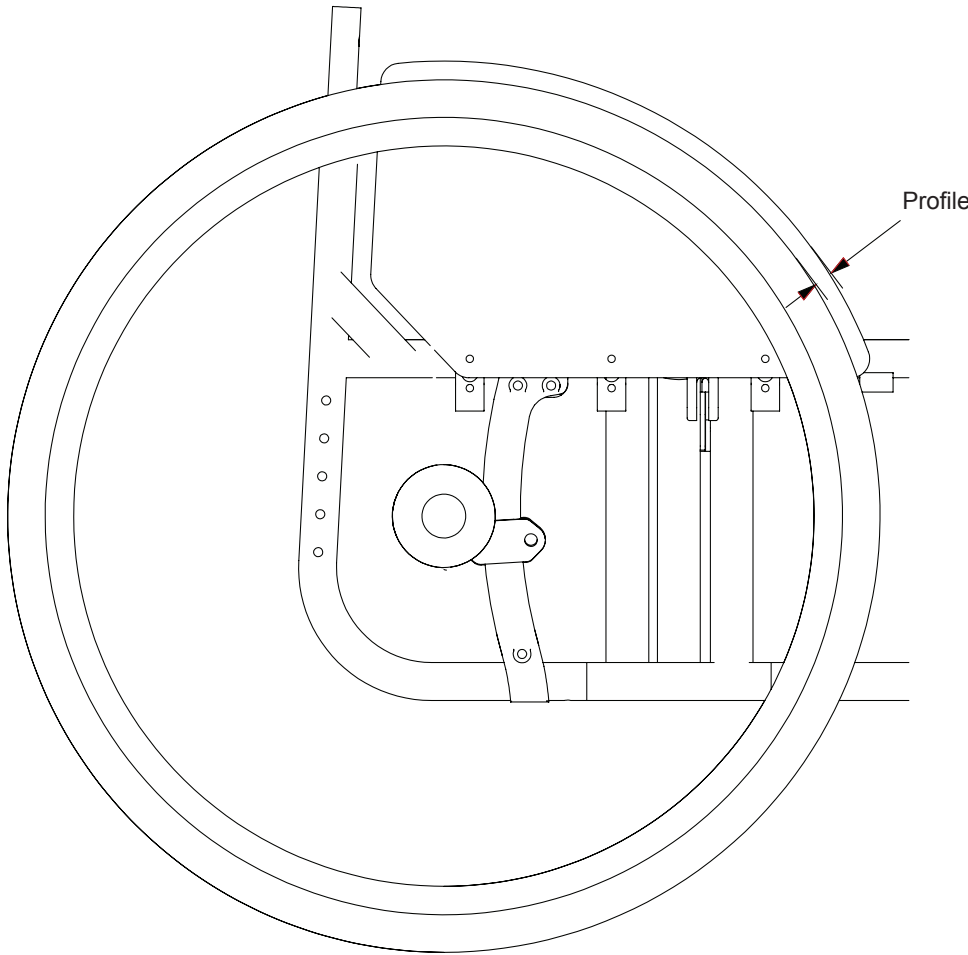
CMD Number: 60

Available On: TiLite Aero X, TiLite 2GX

Requirements:
Only available on Folding Frames.

Notes:
Side guard panel is profiled to rear wheel
May not work with all chair configurations.

Profile: _____



Special Instructions



2701 West Court St, Pasco Wa, 99301
P: +1 509.586.6117 800.545.2266
F: +1 509.586.2413 866.586.2413

⚠ NOTE: Permobil's warranty does not cover Creative Mobility Division frames and frame components, unless Permobil determines that the frame or frame component was defectively manufactured.

Creative Mobility Division

Please Email or Fax this page with the Order Form to TiLite Customer Service, orders@tilite.com or 866.586.2413 or +1 509.586.2413

Dealer Name: _____

Customer Name: _____

Account Number: _____

PO Number: _____

EZ-Ti ID: _____

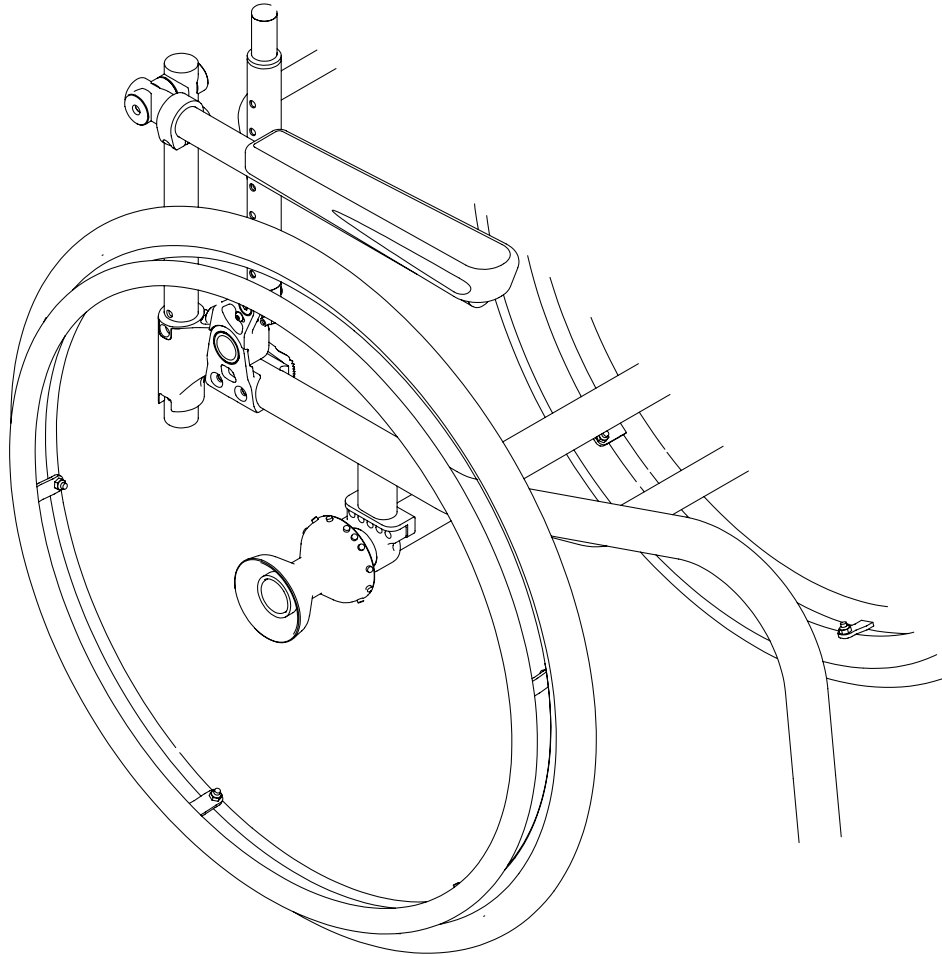
FLIP-BACK ARMREST WITH DESK ARM PAD

CMD Number: 66

Available On: TiLite TR, TiLite TRA, TiLite ZR, TiLite ZRA, TiLite Aero Z, TiLite Aero T.

Requirements:
Only available on rigid chairs.

Notes:
May not work with all chair configurations.



Special Instructions



2701 West Court St, Pasco Wa, 99301
P: +1 509.586.6117 800.545.2266
F: +1 509.586.2413 866.586.2413

△ NOTE: Permobil's warranty does not cover Creative Mobility Division frames and frame components, unless Permobil determines that the frame or frame component was defectively manufactured.

Creative Mobility Division

Please Email or Fax this page with the Order Form to TiLite Customer Service, orders@tilite.com or 866.586.2413 or +1 509.586.2413

Dealer Name: _____

Customer Name: _____

Account Number: _____

PO Number: _____

EZ-Ti ID: _____

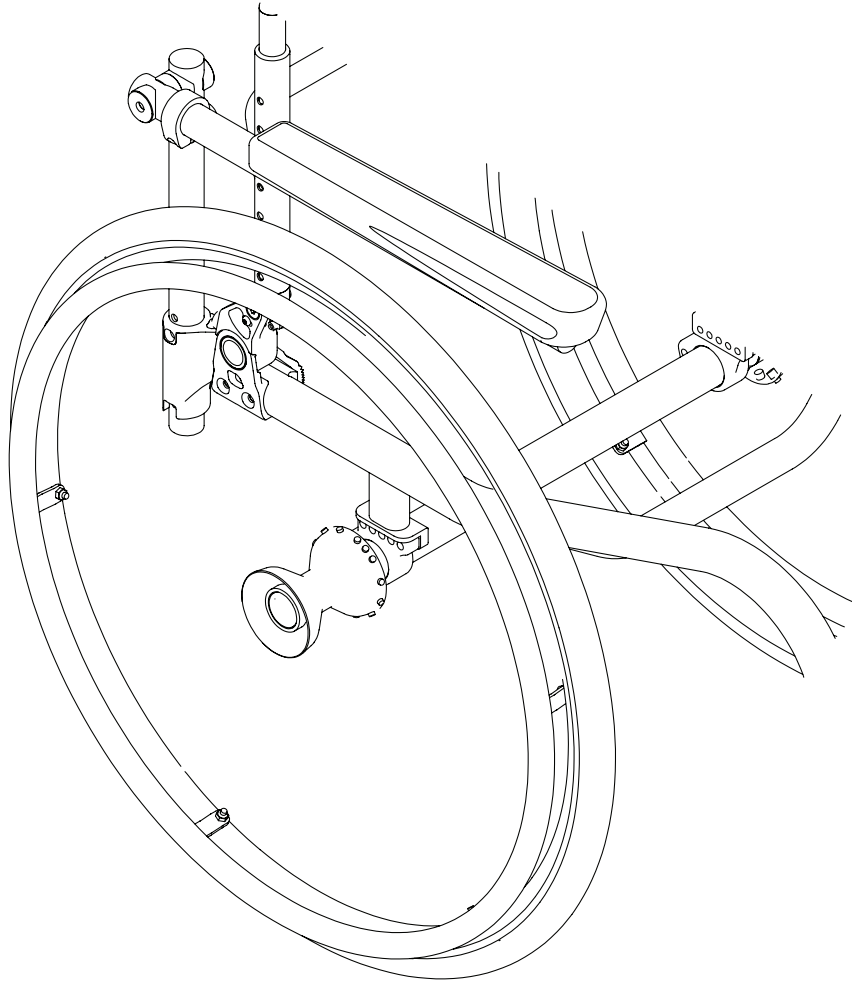
FLIP BACK ARMREST WITH FULL LENGTH DESK ARM PAD

CMD Number: 67

Available On: TiLite TR, TiLite TRA, TiLite ZR, TiLite ZRA, TiLite Aero Z, TiLite Aero T.

Requirements:
Only available on rigid chairs.

Notes:
May not work with all chair configurations.



Special Instructions



2701 West Court St, Pasco Wa, 99301
P: +1 509.586.6117 800.545.2266
F: +1 509.586.2413 866.586.2413

△ NOTE: Permobil's warranty does not cover Creative Mobility Division frames and frame components, unless Permobil determines that the frame or frame component was defectively manufactured.

Creative Mobility Division

Please Email or Fax this page with the Order Form to TiLite Customer Service, orders@tilite.com or 866.586.2413 or +1 509.586.2413

Dealer Name: _____

Customer Name: _____

Account Number: _____

PO Number: _____

EZ-Ti ID: _____

FIXED CARBON FIBER SIDE GUARD

CMD Number: 73

Available On: TiLite TR, TiLite TRA, TiLite ZR, TiLite ZRA.

Requirements:

Non-folding backrest required

Notes:

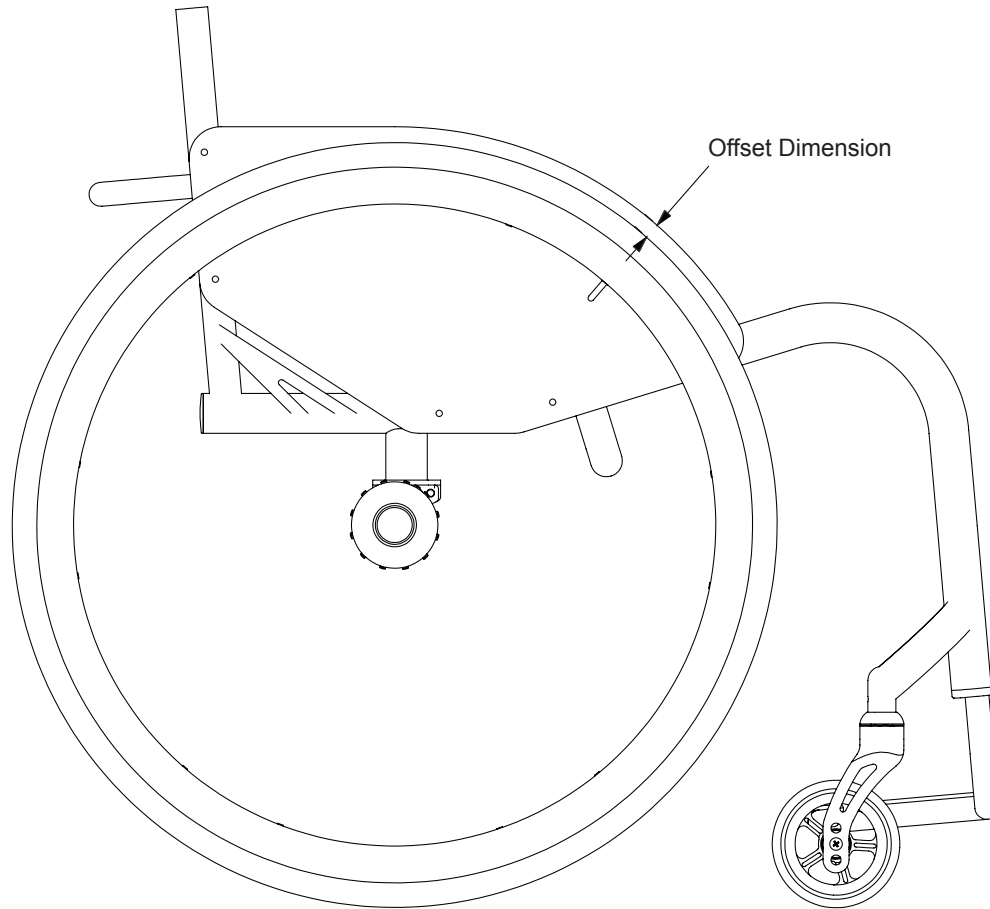
May not work with all chair configurations.

Side Guard panel is profiled to rear wheel.

Side Guard panel can be Aluminum or Carbon Fiber.

Offset Dimension: _____

Aluminum or Carbon Fiber



Special Instructions



2701 West Court St, Pasco Wa, 99301
P: +1 509.586.6117 800.545.2266
F: +1 509.586.2413 866.586.2413

△ NOTE: Permobil's warranty does not cover Creative Mobility Division frames and frame components, unless Permobil determines that the frame or frame component was defectively manufactured.

Creative Mobility Division

Seating and Upholstery

Creative Mobility Division

Please Email or Fax this page with the Order Form to TiLite Customer Service, orders@tilite.com or 866.586.2413 or +1 509.586.2413

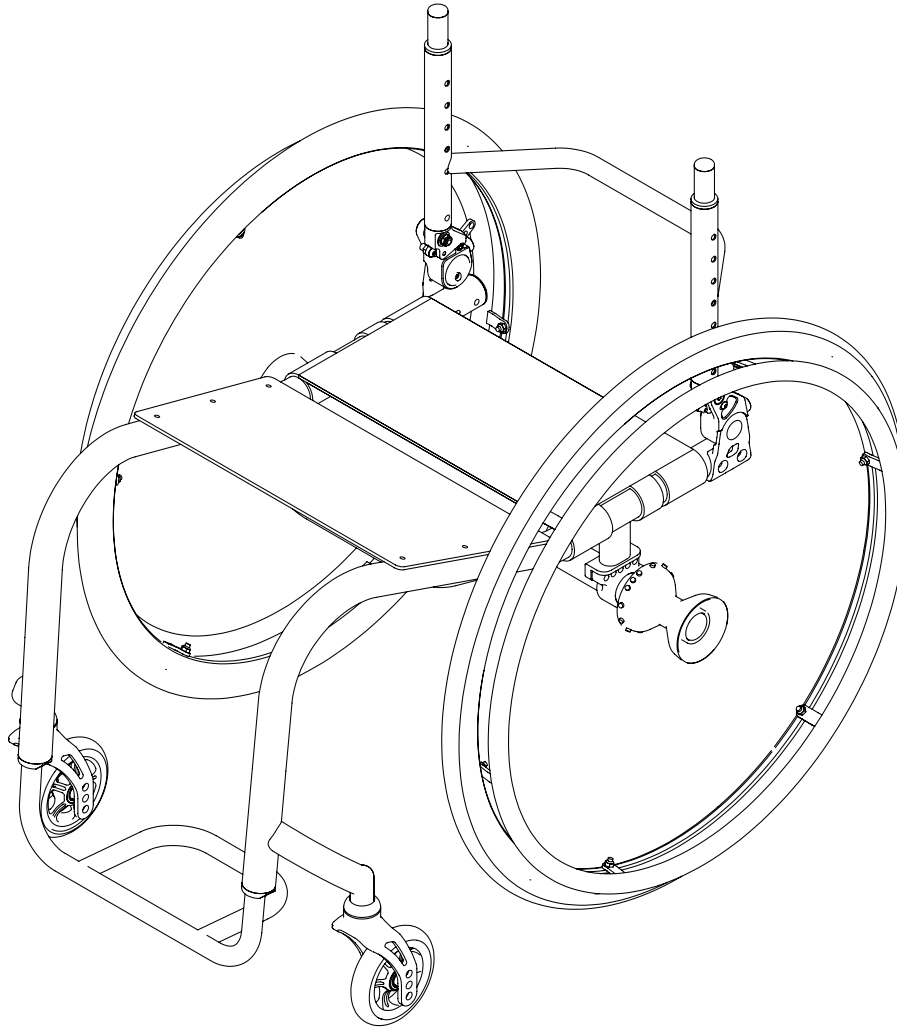
Dealer Name: _____

Customer Name: _____

Account Number: _____

PO Number: _____

EZ-Ti ID: _____



HYBRID SEAT PAN TENSION ADJUSTABLE BY-STRAP SEAT UPHOLSTERY

CMD Number: 13

Available On: TiLite TR, TiLite TRA, TiLite ZR, TiLite ZRA, TiLite Aero T, TiLite Aero Z

Requirements:

Only available for rigid frames.

Available for all non-tapered, tapered, and ergo frames.

Notes:

Seat pan may be placed on rear or front section of seat upholstery.

May not work with all chair configurations.

Seat Pan Location: Front or Rear

Special Instructions



2701 West Court St, Pasco Wa, 99301
P: +1 509.586.6117 800.545.2266
F: +1 509.586.2413 866.586.2413

△ NOTE: Permobil's warranty does not cover Creative Mobility Division frames and frame components, unless Permobil determines that the frame or frame component was defectively manufactured.

Creative Mobility Division

Please Email or Fax this page with the Order Form to TiLite Customer Service, orders@tilite.com or 866.586.2413 or +1 509.586.2413

Dealer Name: _____

Customer Name: _____

Account Number: _____

PO Number: _____

EZ-Ti ID: _____

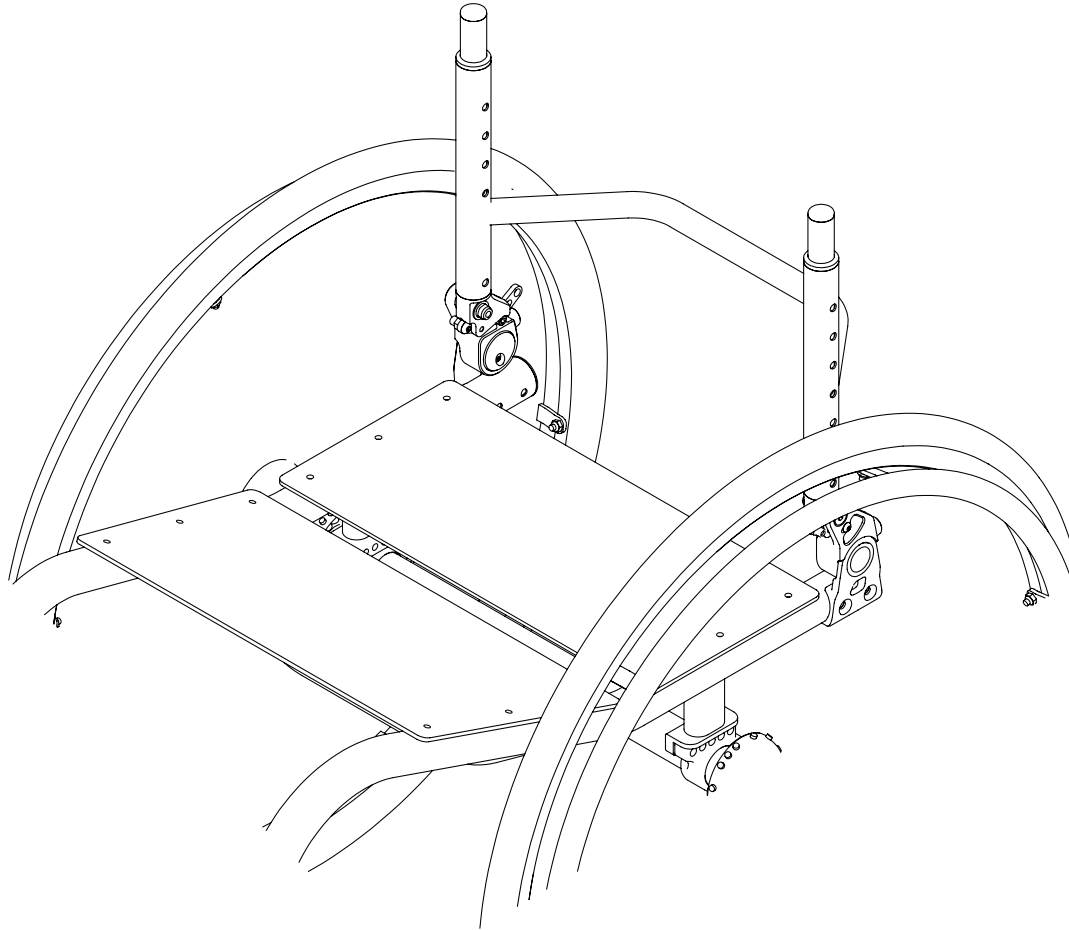
ERGO SEAT PAN

CMD Number: 16

Available On: TiLite TR, TiLite TRA, TiLite Aero T, TiLite ZR, TiLite ZRA, TiLite Aero Z

Requirements:
Only available for Ergonomic Frames

Notes:
Seat Pan size is dependent on Ergo Seat dimension and will be built based off of seat depth.
May not work with all chair configurations.



Special Instructions



2701 West Court St, Pasco Wa, 99301
P: +1 509.586.6117 800.545.2266
F: +1 509.586.2413 866.586.2413

△ NOTE: Permobil's warranty does not cover Creative Mobility Division frames and frame components, unless Permobil determines that the frame or frame component was defectively manufactured.

Creative Mobility Division

Please Email or Fax this page with the Order Form to TiLite Customer Service, orders@tilite.com or 866.586.2413 or +1 509.586.2413

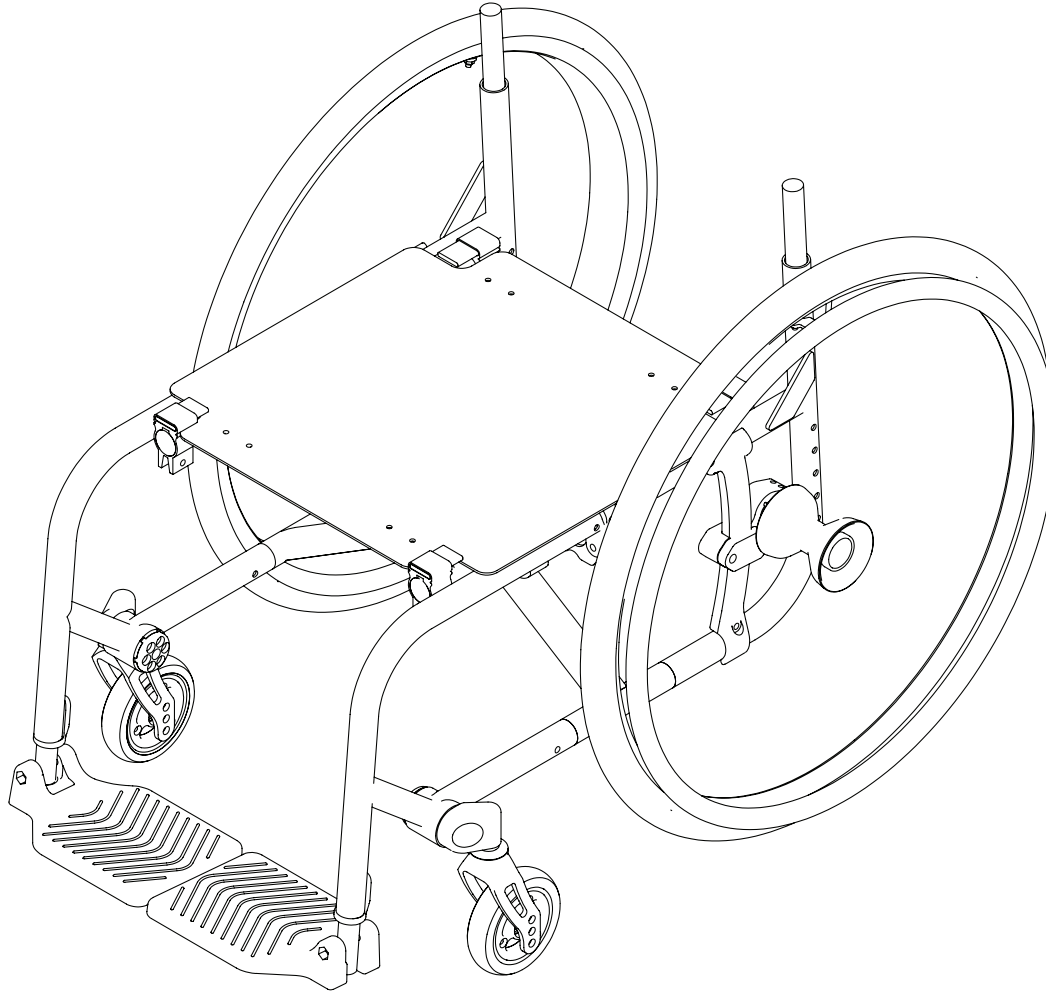
Dealer Name: _____

Customer Name: _____

Account Number: _____

PO Number: _____

EZ-Ti ID: _____



QUICK RELEASE SEAT PAN

CMD Number: 38

Available On: TiLite Aero X, TiLite 2GX

Requirements:

Only available for folding frames.

Notes:

May not work with all chair configurations.

Special Instructions



2701 West Court St, Pasco Wa, 99301
P: +1 509.586.6117 800.545.2266
F: +1 509.586.2413 866.586.2413

△ NOTE: Permobobil's warranty does not cover Creative Mobility Division frames and frame components, unless Permobobil determines that the frame or frame component was defectively manufactured.

Creative Mobility Division

Please Email or Fax this page with the Order Form to TiLite Customer Service, orders@tilite.com or 866.586.2413 or +1 509.586.2413

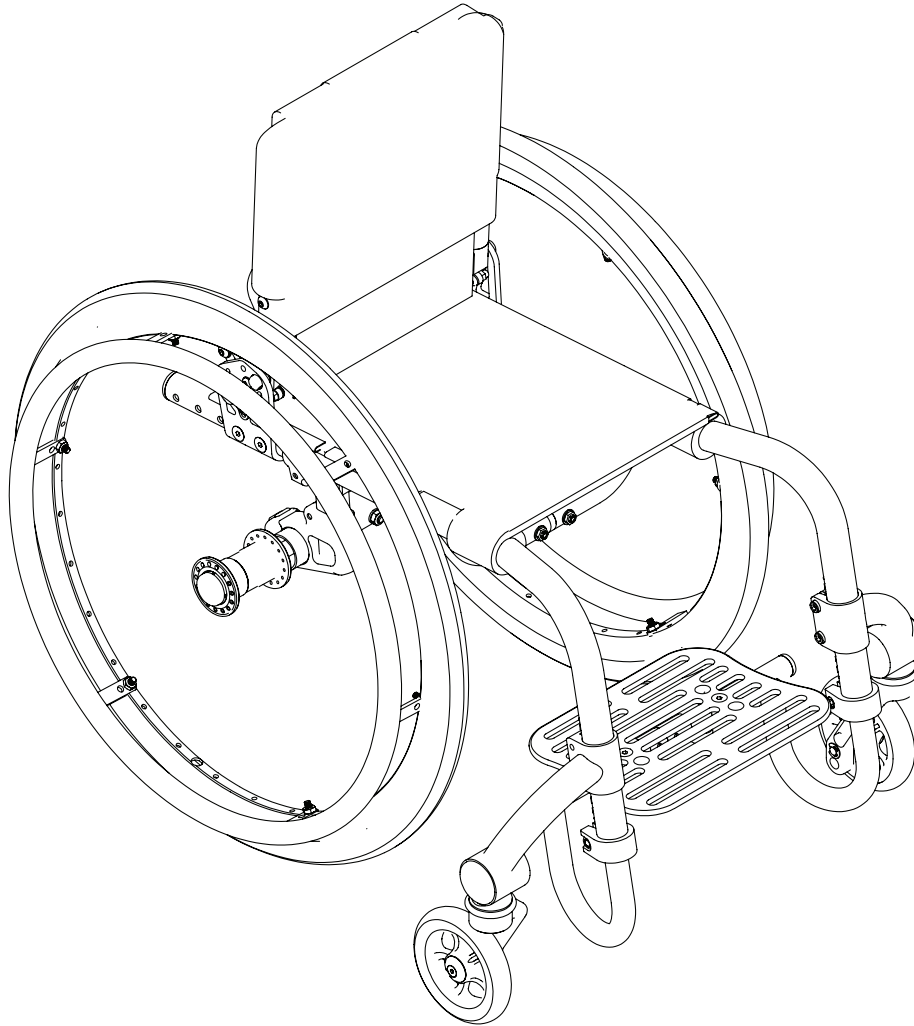
Dealer Name: _____

Customer Name: _____

Account Number: _____

PO Number: _____

EZ-Ti ID: _____



TWIST SOLID SEAT INSERT

CMD Number: 78

Available On: TiLite TWIST

Requirements:

Only available for Twist.

Notes:

Available with Bolt-on seat upholstery or directly bolting solid seat pan onto frame.

May not work with all chair configurations.

Special Instructions



2701 West Court St, Pasco Wa, 99301
P: +1 509.586.6117 800.545.2266
F: +1 509.586.2413 866.586.2413

△ NOTE: Permobility's warranty does not cover Creative Mobility Division frames and frame components, unless Permobility determines that the frame or frame component was defectively manufactured.

Push Handle Options (coming soon)

Finish Options

Creative Mobility Division

Please Email or Fax this page with the Order Form to TiLite Customer Service, orders@tilite.com or 866.586.2413 or +1 509.586.2413

Dealer Name: _____

Customer Name: _____

Account Number: _____

PO Number: _____

EZ-Ti ID: _____

HYDROGRAPHIC FINISH

CMD Number: 36

Available On: TiLite TR, TiLite TRA, TiLite Aero T, TiLite ZR, TiLite ZRA, TiLite Aero Z

Requirements:

Notes:

May not work with all chair configurations.



Special Instructions



2701 West Court St, Pasco Wa, 99301
P: +1 509.586.6117 800.545.2266
F: +1 509.586.2413 866.586.2413

△ NOTE: Permobil's warranty does not cover Creative Mobility Division frames and frame components, unless Permobil determines that the frame or frame component was defectively manufactured.

Creative Mobility Division

Please Email or Fax this page with the Order Form to TiLite Customer Service, orders@tilite.com or 866.586.2413 or +1 509.586.2413

Dealer Name: _____

Customer Name: _____

Account Number: _____

PO Number: _____

EZ-Ti ID: _____

CUSTOM COLORED ANO

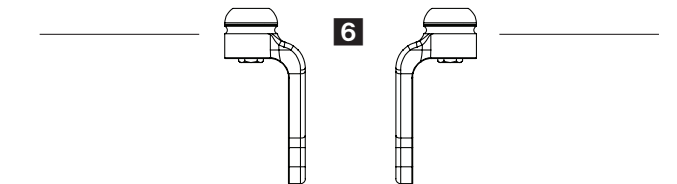
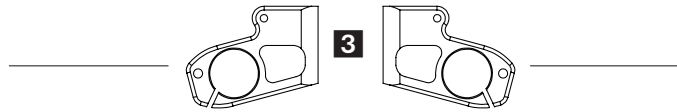
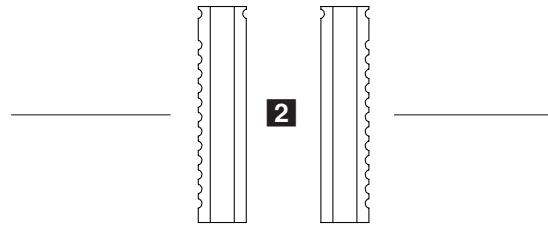
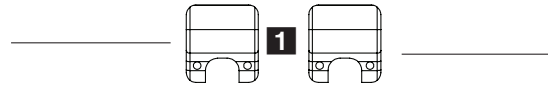
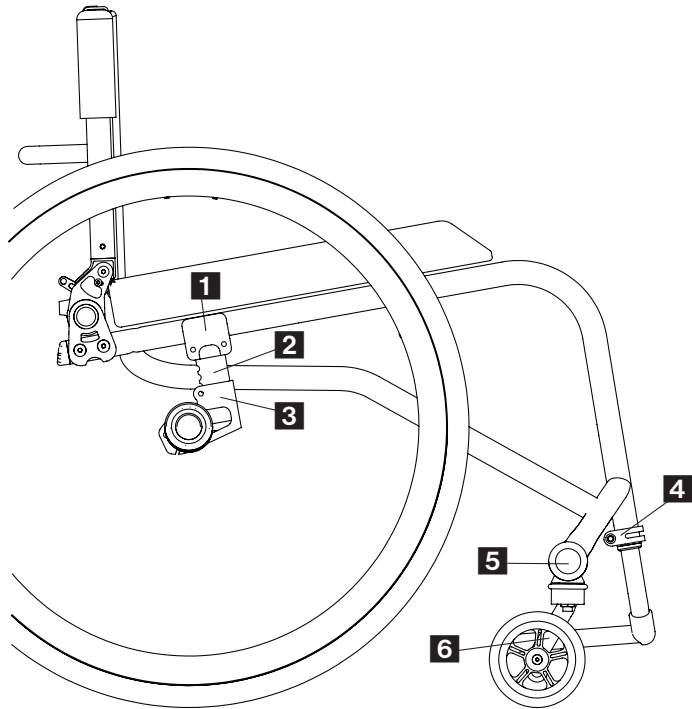
CMD Number: 75

Available On: TiLite TR, TiLite TRA, TiLite ZR, TiLite ZRA, TiLite Aero T, TiLite Aero Z, TiLite Aero X, TiLite 2GX, TiLite Twist

Requirements:

Notes:

Fill in desired color next to each part.
Black, Sapphire, Red Pepper, Burnt Orange, Ultraviolet, or Fuchsia.



Special Instructions



2701 West Court St, Pasco Wa, 99301
P: +1 509.586.6117 800.545.2266
F: +1 509.586.2413 866.586.2413

△ NOTE: Permobil's warranty does not cover Creative Mobility Division frames and frame components, unless Permobil determines that the frame or frame component was defectively manufactured.

Creative Mobility Division

Please Email or Fax this page with the Order Form to TiLite Customer Service, orders@tilite.com or 866.586.2413 or +1 509.586.2413

Dealer Name: _____

Customer Name: _____

Account Number: _____

PO Number: _____

EZ-Ti ID: _____

ARMED FORCES PATCHES

CMD Number: 74

Available On: TiLite TR, TiLite TRA, TiLite ZR, TiLite ZRA, TiLite Aero T, TiLite Aero Z, TiLite Aero X, TiLite 2GX, TiLite Twist

Requirements:

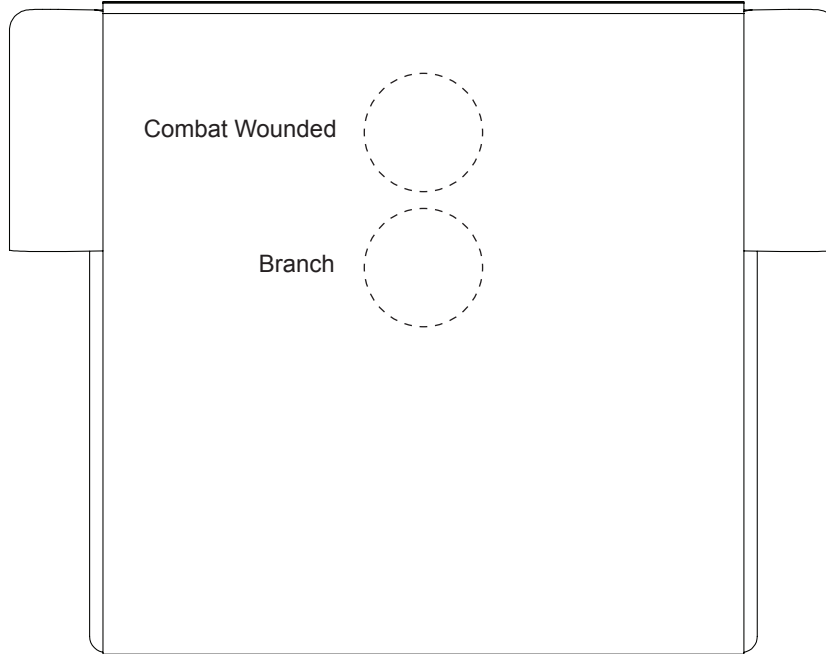
Notes:

Armed forces patches will be centered on back upholstery.

Branch logo patch will be underneath Combat Wounded patch if applicable.

Branch: _____

Combat Wounded: YES or NO



Special Instructions



2701 West Court St, Pasco Wa, 99301
P: +1 509.586.6117 800.545.2266
F: +1 509.586.2413 866.586.2413

△ NOTE: Permobil's warranty does not cover Creative Mobility Division frames and frame components, unless Permobil determines that the frame or frame component was defectively manufactured.

Full Chair Options

Creative Mobility Division

Please Email or Fax this page with the Order Form to TiLite Customer Service, orders@tilite.com or 866.586.2413 or +1 509.586.2413

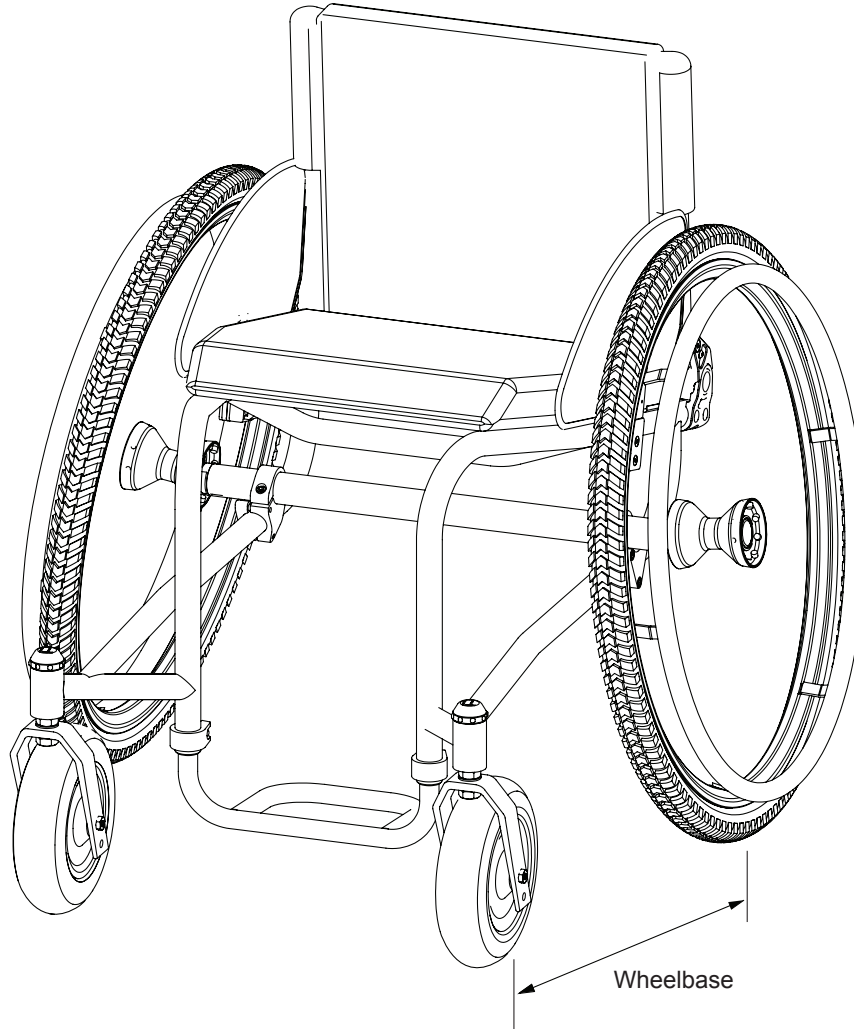
Dealer Name: _____

Customer Name: _____

Account Number: _____

PO Number: _____

EZ-Ti ID: _____



ALL TERRAIN TR

CMD Number: 3

Available On: TiLite TR

Requirements:
Use TR order form.

Notes:
Forward mounted 8" x 2" pneumatic caster wheels.
Front angles greater than 90° are possible.
May not work with all chair configurations.

Wheelbase: _____

Special Instructions



2701 West Court St, Pasco Wa, 99301
P: +1 509.586.6117 800.545.2266
F: +1 509.586.2413 866.586.2413

△ NOTE: Permobility's warranty does not cover Creative Mobility Division frames and frame components, unless Permobility determines that the frame or frame component was defectively manufactured.

Wheel and Tire Options

Creative Mobility Division

Please Email or Fax this page with the Order Form to TiLite Customer Service, orders@tilite.com or 866.586.2413 or +1 509.586.2413

Dealer Name: _____

Customer Name: _____

Account Number: _____

PO Number: _____

EZ-Ti ID: _____

CUSTOMER SPECIFIED WHEEL/TIRE COMBINATION

CMD Number: 43

Available On: TiLite TR, TiLite TRA, TiLite ZR, TiLite ZRA, TiLite Aero T, TiLite Aero Z, TiLite Aero X, TiLite 2GX, TiLite Twist

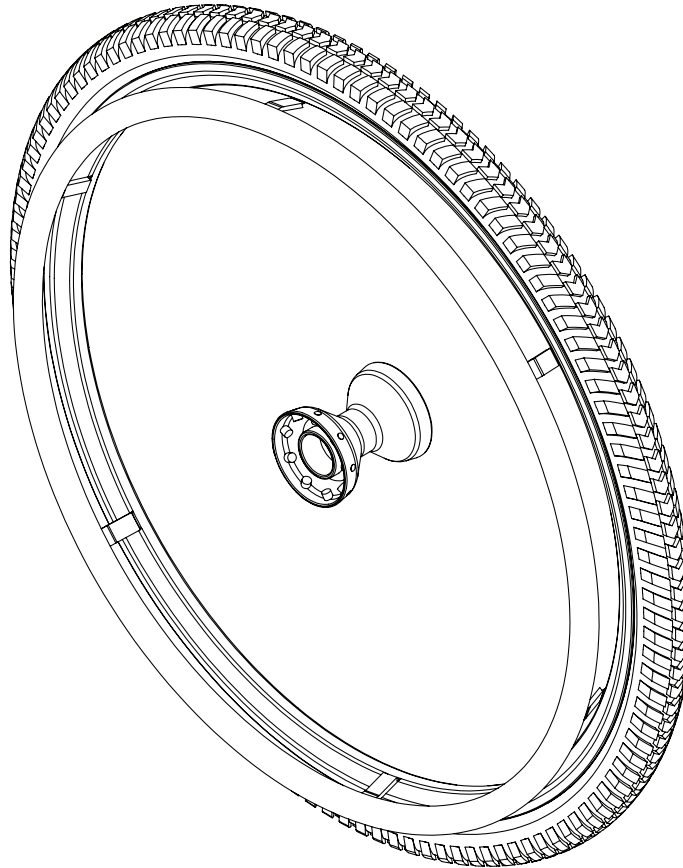
Requirements:

Notes:

May not work with all chair configurations.

Wheel: _____

Tire: _____



Special Instructions



2701 West Court St, Pasco Wa, 99301
P: +1 509.586.6117 800.545.2266
F: +1 509.586.2413 866.586.2413

△ NOTE: Permobility's warranty does not cover Creative Mobility Division frames and frame components, unless Permobility determines that the frame or frame component was defectively manufactured.

Creative Mobility Division

Please Email or Fax this page with the Order Form to TiLite Customer Service, orders@tilite.com or 866.586.2413 or +1 509.586.2413

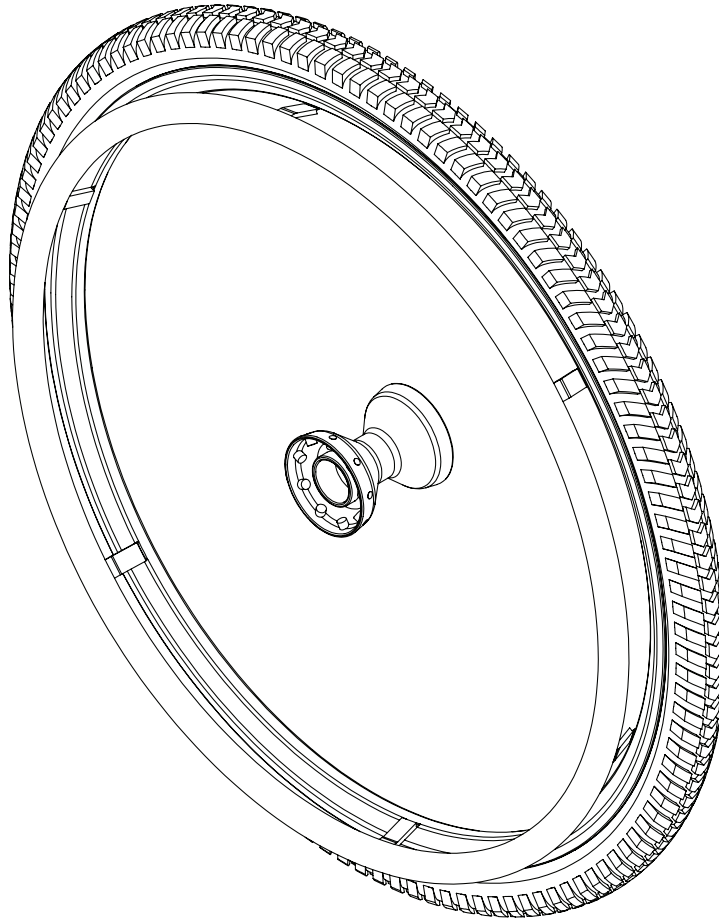
Dealer Name: _____

Customer Name: _____

Account Nmbre: _____

PO Number: _____

EZ-Ti ID: _____



KNOBBY TIRES

CMD Number: 79

Available On: TiLite TR, TiLite TRA, TiLite Aero T, TiLite ZR, TiLite ZRA, TiLite Aero Z.

Requirements:

Notes:

24" (540) Available on Shadow Wheels

26" (590) Available on Shadow, Spinergy LX, and Spinergy SPOX.

May not work with all chair configurations.

Special Instructions



2701 West Court St, Pasco Wa, 99301
P: +1 509.586.6117 800.545.2266
F: +1 509.586.2413 866.586.2413

△ NOTE: Permobil's warranty does not cover Creative Mobility Division frames and frame components, unless Permobil determines that the frame or frame component was defectively manufactured.

Creative Mobility Division

Please Email or Fax this page with the Order Form to TiLite Customer Service, orders@tilite.com or 866.586.2413 or +1 509.586.2413

Dealer Name: _____

Customer Name: _____

Account Number: _____

PO Number: _____

EZ-Ti ID: _____

PROJECTION HANDRIMS (STANDARD OR OBLIQUE)

CMD Number: 86

Available On: TiLite TR, TiLite TRA, TiLite ZR, TiLite ZRA, TiLite Aero T, TiLite Aero Z, TiLite Aero X, TiLite 2GX, TiLite Twist

Requirements:

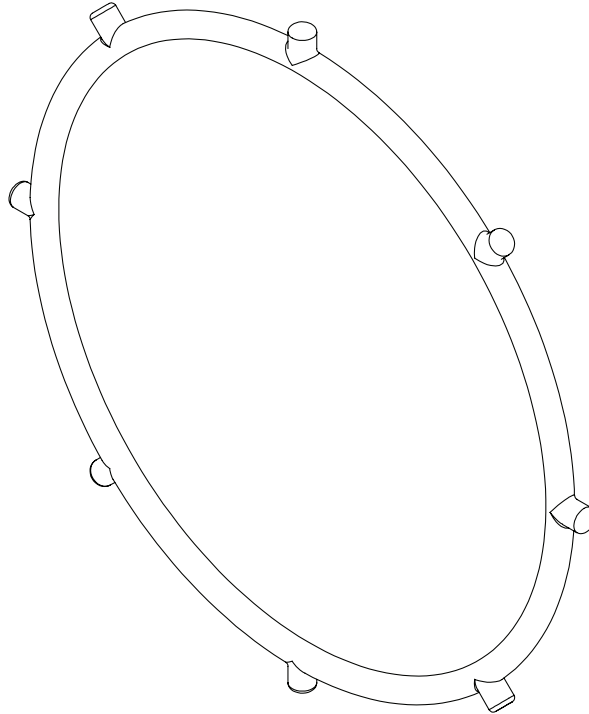
Limited to 24" (540) and 25" (554) wheel sizes.
Excludes carbon blade wheels.

Notes:

May not work with all chair configurations.

Standard or Oblique

Number of projections: Eight or Ten



Special Instructions



2701 West Court St, Pasco Wa, 99301
P: +1 509.586.6117 800.545.2266
F: +1 509.586.2413 866.586.2413

△ NOTE: Permobility's warranty does not cover Creative Mobility Division frames and frame components, unless Permobility determines that the frame or frame component was defectively manufactured.