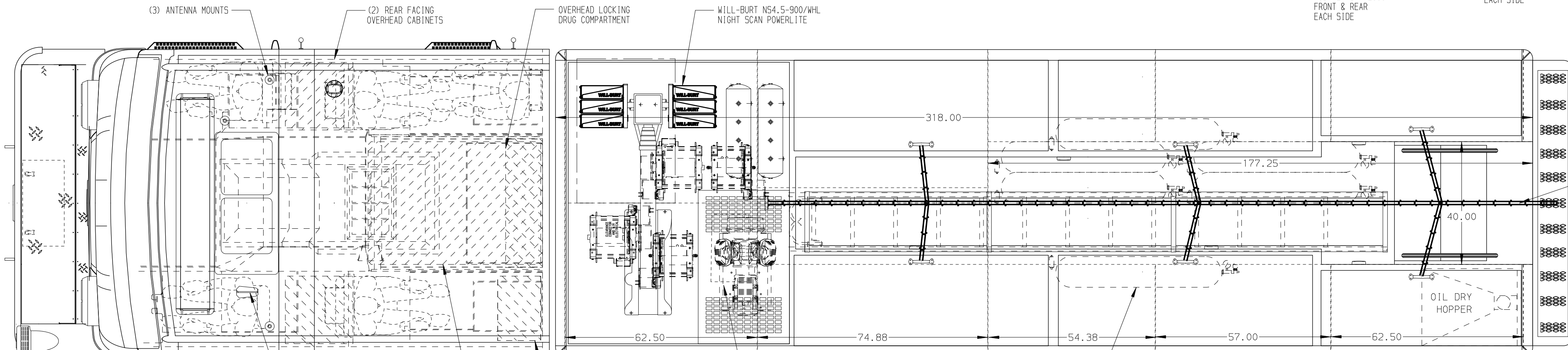
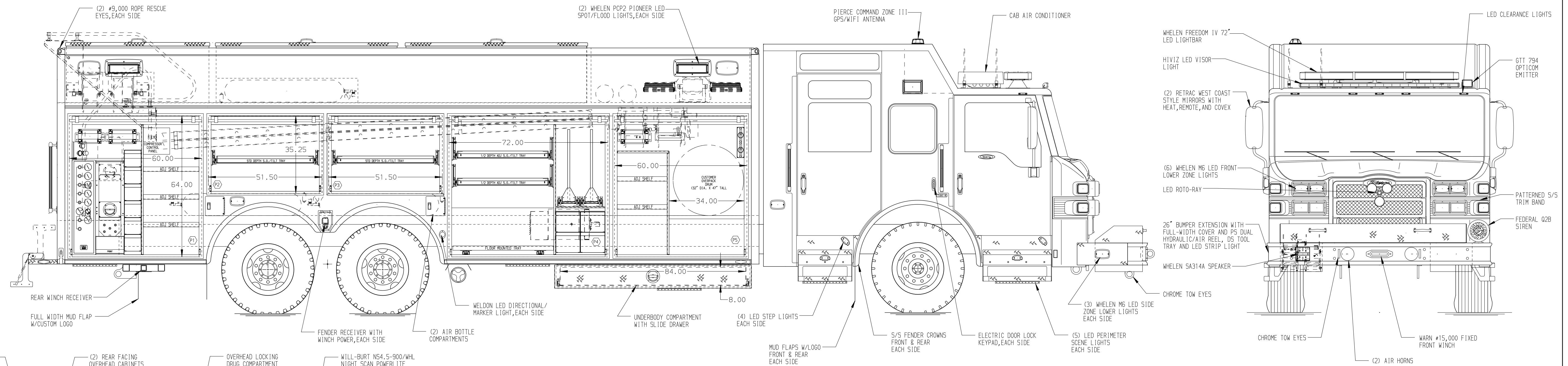


PASSENGER'S SIDE COMPARTMENTS CONTAIN THE FOLLOWING:

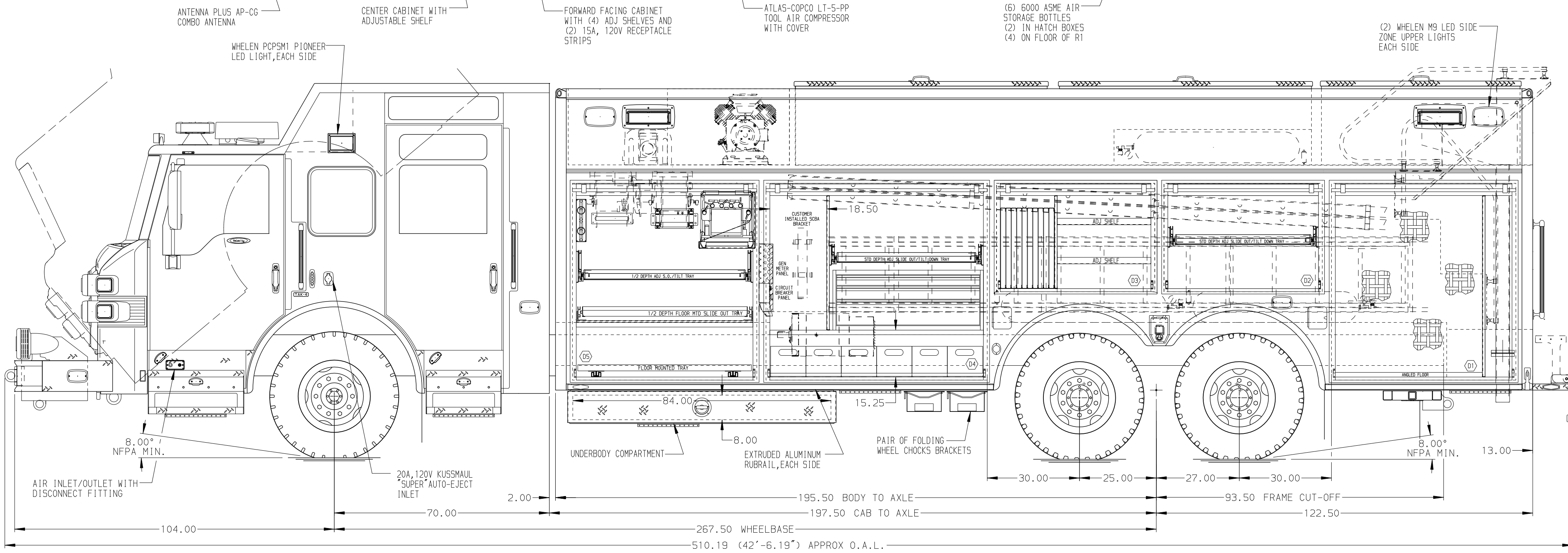
- COMPARTMENT P1 CONTAINS:**
 - (1) VERTICAL COMPARTMENT DIVIDER
 - (3) STD DEPTH ADJ SHELVES
 - RACK FOR SIX SCBA BOTTLES
 - (1) SPACE SAVER 2-BOTTLE FILL ENCLOSURE
 - (1) CASCADE SYSTEM CONTROL PANEL
 - REGULATOR AND GAUGE FOR TOOL AIR REEL
 - (1) HIGH PRESSURE AIR REEL W/200' OF HOSE
 - (1) TOOL AIR REEL W/200' OF HOSE
 - TOOL COMPRESSOR CONTROL PANEL
- COMPARTMENT P2 CONTAINS:**
 - (1) STD DEPTH ADJ SLIDE OUT/TILT TRAY
- COMPARTMENT P3 CONTAINS:**
 - (1) STD DEPTH ADJ SLIDE OUT/TILT TRAY
- COMPARTMENT P4 CONTAINS:**
 - (1) HORIZONTAL FLOOR EXTENSION
 - (2) 1/2 DEPTH ADJ SLIDE OUT/TILT TRAYS
 - (1) STD DEPTH FLOOR MOUNTED TRAY
 - (1) VERTICAL COMPARTMENT DIVIDER
 - RACK FOR FOUR EXTINGUISHERS
 - (2) 1/2 DEPTH SLIDE OUT TOOLBOARDS
 - (1) VERTICAL REAR WALL DIVIDER
- COMPARTMENT P5 CONTAINS:**
 - (1) RACK FOR 2 PIKE POLES
 - (1) HORIZONTAL FLOOR EXTENSION
 - (1) L-SHAPED COMPARTMENT DIVIDER
 - (2) STD DEPTH ADJ SHELVES
 - (1) VERTICAL REAR WALL DIVIDER
 - (1) ELECTRIC CORD REEL WITH 200' OF 10/3 YELLOW CORD
 - (1) HYDRAULIC REEL WITH 100' OF HOSE



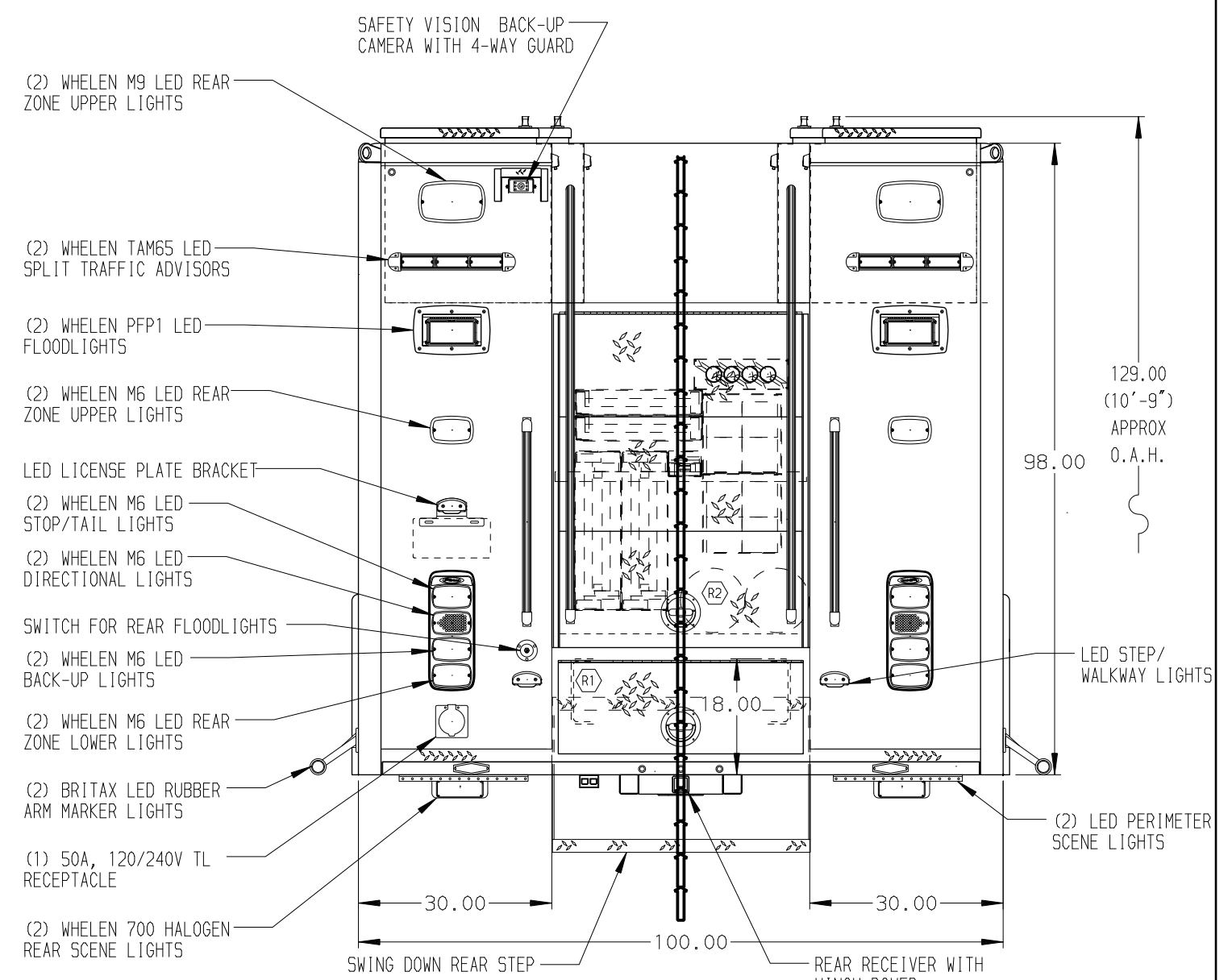
REAR COMPARTMENT CONTAINS THE FOLLOWING:

COMPARTMENT R1 CONTAINS:

COMPARTMENT R2 CONTAINS:
 - (1) RACK FOR THE FOLLOWING:
 - (2) 28\"/>



- DRIVER'S SIDE COMPARTMENTS CONTAIN THE FOLLOWING:**
- COMPARTMENT D1 CONTAINS:**
 - (1) OIL DRY HOPPER
 - (1) VERTICAL COMPARTMENT DIVIDER
 - CARGO NETTING
 - ALUMINUM TREADPLATE ON COMPARTMENT FLOOR
 - FLOOR PITCHED 5 DEGREES IN COMPARTMENT
- COMPARTMENT D2 CONTAINS:**
 - (1) STD DEPTH ADJ SLIDE OUT/TILT TRAY
- COMPARTMENT D3 CONTAINS:**
 - (1) RACK FOR 10 AIR BAGS
 - (1) VERTICAL COMPARTMENT DIVIDER
 - (2) STD DEPTH ADJ SHELVES
- COMPARTMENT D4 CONTAINS:**
 - (6) POLY TOOL BOXES W/ROLLER AND DURASURF
 - (1) HORIZONTAL FLOOR EXTENSION
 - (1) 3-DRAWER C-TECH CABINET
 - (1) VERTICAL REAR WALL DIVIDER
 - (1) STD DEPTH ADJ SLIDE OUT/TILT TRAY
 - (1) CIRCUIT BREAKER PANEL
 - (1) GENERATOR METER PANEL
 - (1) NIGHT SCAN CONTROLLER
 - (1) VERTICAL COMPARTMENT DIVIDER
- COMPARTMENT D5 CONTAINS:**
 - (1) HORIZONTAL FLOOR EXTENSION
 - (1) 1/2 DEPTH ADJ SLIDE OUT/TILT TRAY
 - (1) VERTICAL REAR WALL DIVIDER
 - (1) ELECTRIC CORD REEL WITH 200' OF 10/3 YELLOW CORD
 - (1) GUSSETED SHELF FOR POWER UNIT
 - (1) 30A, 240V T.L. RECEPTACLE
 - (1) HYDRAULIC REEL WITH 100' OF HOSE
 - (1) 1/2 DEPTH FLOOR MTD SLIDE OUT TRAY
 - (1) STD DEPTH FLOOR MTD SLIDE OUT TRAY



NOTE
 DIMENSIONS SHOWN ARE APPROXIMATE AND ARE SUBJECT TO MINOR DEVIATIONS AS MAY OCCUR OR BE NECESSARY IN CONSTRUCTION. MINOR DETAILS NOT SHOWN.

- NOTES:**
- POLISHED S/S SCUFFPLATES ON CAB DOOR JAMBS
 - FLOOR IN CAB AND CREW CAB TO BE ALUMINUM TREADPLATE
 - DAVID CLARK 5 POSITION INTERCOM SYSTEM
 - 100A 75 AMP CHARGER LOCATED BEHIND THE DRIVER'S SEAT
 - BATTERY CHARGE INDICATOR LOCATED ON DRIVER'S SEAT WITH BRACKET
 - PULL STRAPS ON ALL BODY ROLL-UP DOORS
 - S/S GUARDS ON ALL BODY ROLL-UP DOORS
 - AMOR LED STRIP LIGHTS IN ALL BODY AND HATCH COMPARTMENTS
 - ONAN 30KW SINGLE PHASE PTO DRIVEN GENERATOR WITH SPLASH GUARD LOCATED BETWEEN THE FRAME RAILS

TAK-4 T-3 REAR SUSPENSION
SIDE ROLL AND FRONTAL IMPACT PROTECTION

CLEAR DOOR WIDTH KEY		CHASSIS DATA	TITLE
AMOR ROLL UP DOORS:	-2 1/4"	11 JUN 18	HEAVY DUTY RESCUE NON-WALKIN
CURTITE ROLL UP DOORS:	-2 1/2"	04 MAY 18	HENRICO COUNTY HENRICO, VA
PIERCE DOUBLE LAP DOORS:	-4 1/4"	06 FEB 18	
PIERCE LIFT-UP LAP DOORS:	-1 1/2"		
(EX: 60" F-F - 2 1/4" = 57 3/4" CLEAR) (F-F) = FRAME TO FRAME		DATE	DWG NO.

Pierce MANUFACTURING INC.		JOB NO.	32024
		SCALE	DATE
		DRAWN BY	17 JAN 18
		CHECKED BY	19 JAN 18
		SHEET SIZE	SHEET NO.
		D	1 OF 1