

**PUMPER
BODY**

Medium Aluminum 2nd Gen Pumper

CHASSIS

Sober FR Chassis

**CHASSIS
AXLE, FRONT, CUSTOM**

16,000 Lb Dana Axle

AXLE, REAR

24,000 Lb Dana Axle

ENGINE

330 HP Ford Powerstroke Engine

TRANSMISSION

Ford Torq Shift

BUMPER

19" Extended Stainless Steel

CAB

6010 Sober FR Cab

BODY

WATER TANK

1000 Gallon Poly Water Tank

COMPT, PUMPER, REAR

51.25" FF RollUp Rear Compt

COMPT, PUMPER, DRIVER SIDE

152" RollUp Full Height Front & Rear FDLR

COMPT, PUMPER PASS. SIDE

152" RollUp Full Height Front & Rear FDLR

**FIRE SUPPRESSION
PUMPHOUSE**

45" Control Zone Side Mount

PUMP

1250 GPM Hale D5D

CROSSLAYS, 1.50"

(2) 1.50" Standard Capacity

CROSSLAYS, 2.50"

2.50" Crosslay Not Required

SPEEDLAYS

Speedlays Not Required

GENERATOR

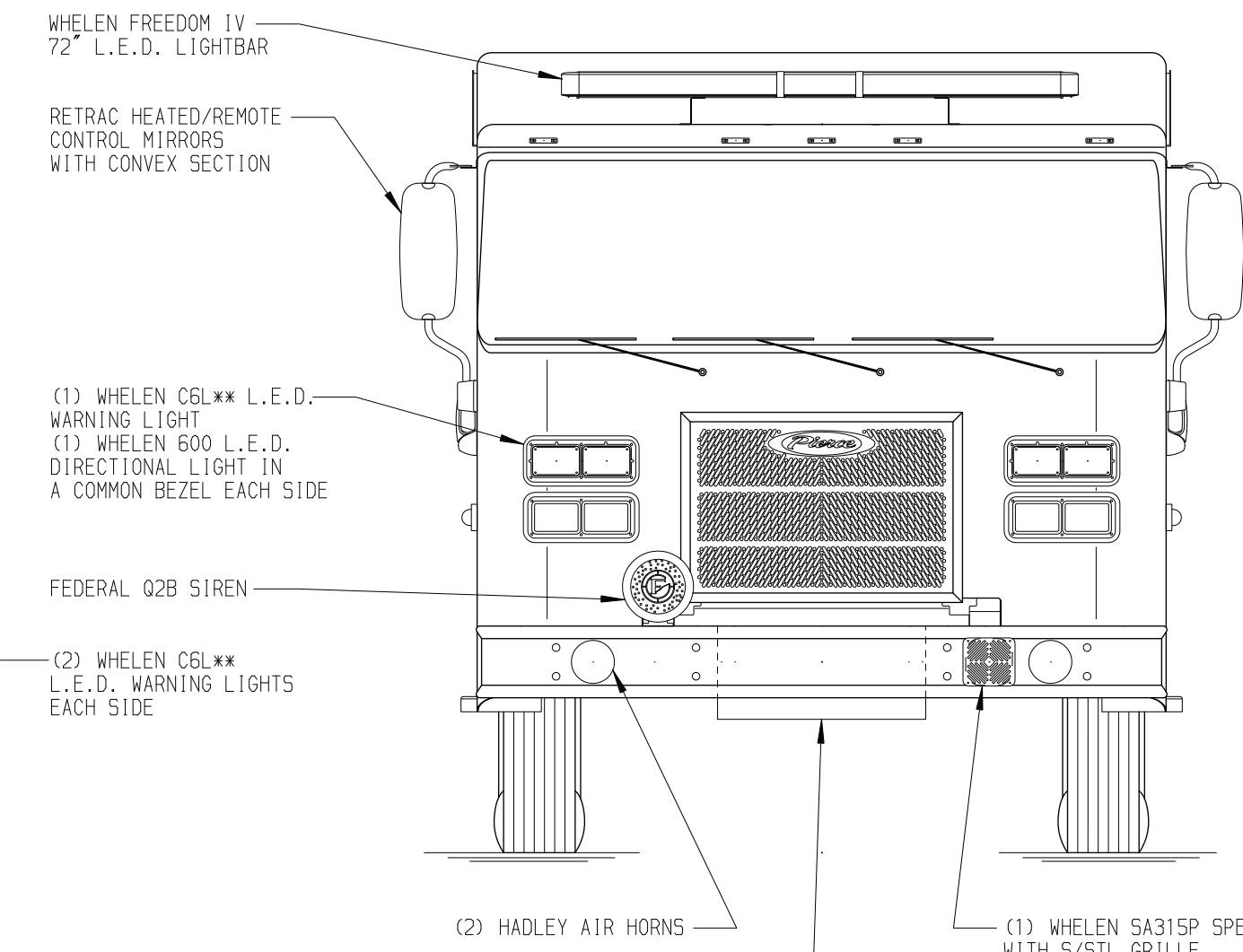
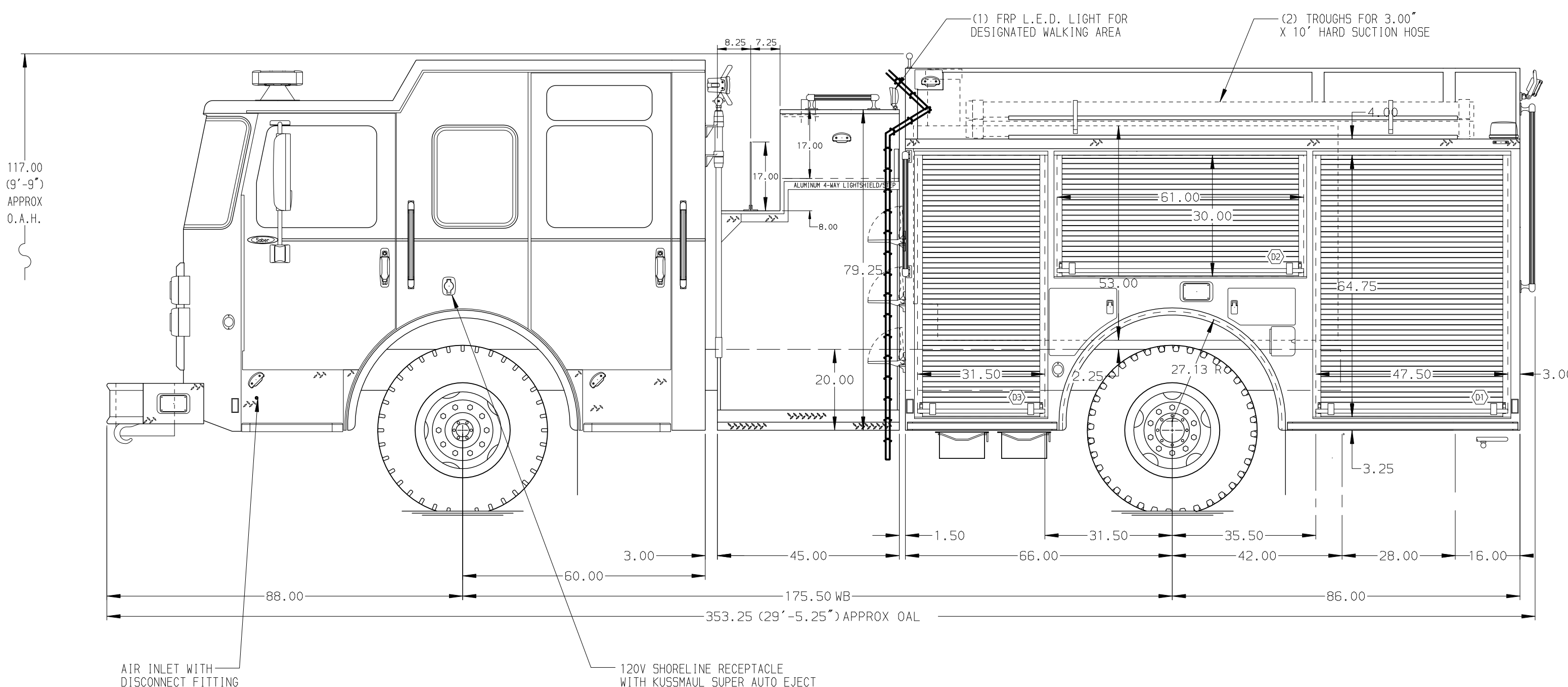
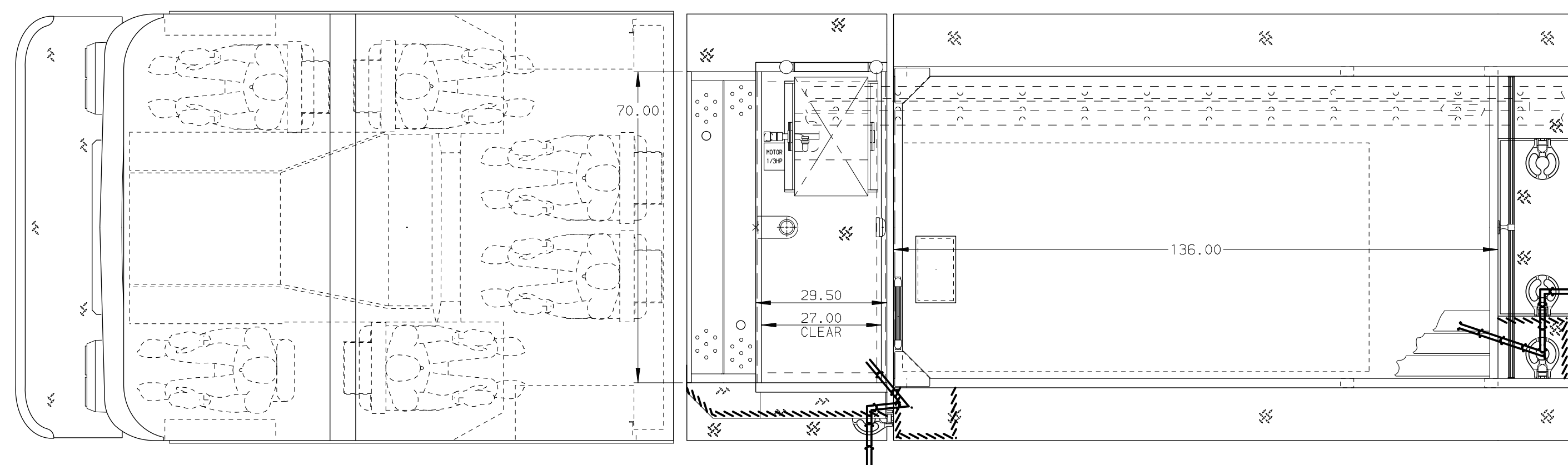
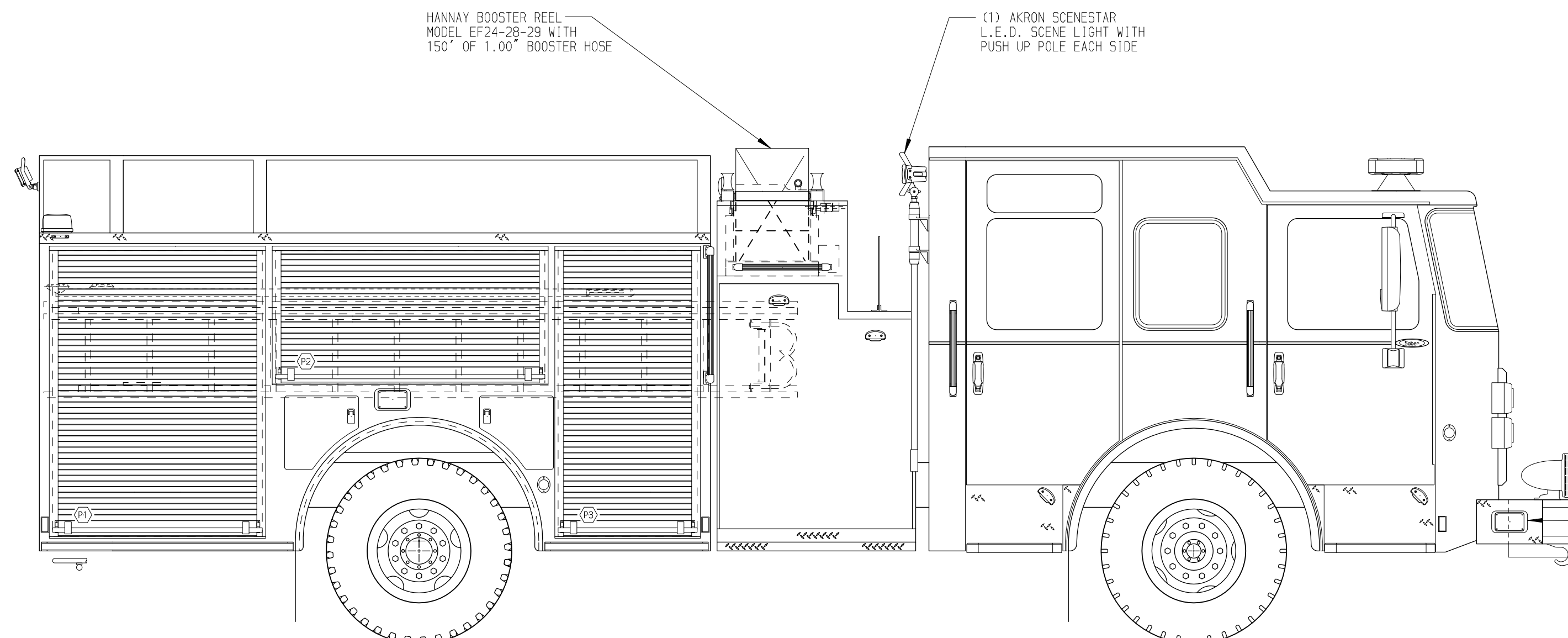
Generator Not Required

Foam System

Foam System Not Required

Foam Cell

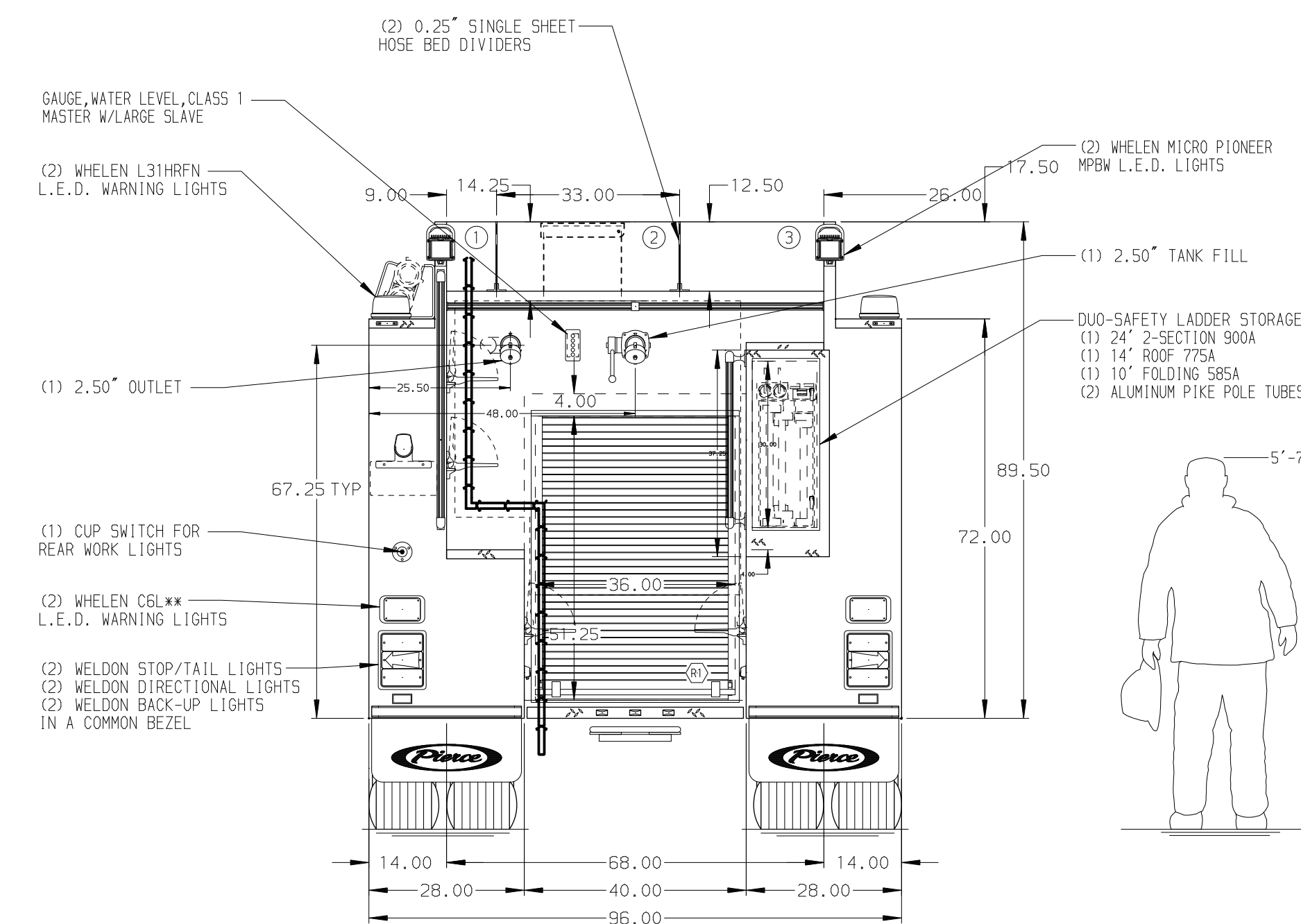
Foam Cell Not Required



HOSEBED CAPACITY

- BED 1**
200' OF 2.50" D.J. POLY HOSE
- BED 2**
600' OF 4.00" D.J. POLY HOSE
- BED 3**
600' OF 3.00" D.J. POLY HOSE

CENTER HOSE TRAY
FOR 125' OF 1.75" HOSE
AND 1.50" OUTLET WITH
2.00" PIPING TERMINATING
IN HOSE TRAY



NOTE
DIMENSIONS SHOWN ARE APPROXIMATE
AND ARE SUBJECT TO MINOR DEVIATIONS
AS MAY OCCUR OR BE NECESSARY IN
CONSTRUCTION.
MINOR DETAILS NOT SHOWN.

						JOB NO.	32087
						SCALE	1:24
						DATE	
				TITLE Pierce Pumper Approval Drawing CHASSIS DATA - MAKE PIERCE MODEL - SABER FR		DRAWN BY	COL
				FOR Lafayette County		CHECKED BY	03JAN18
				DWG NO. 32087AD		SHEET SIZE	D
						SHEET NO.	1 OF 1