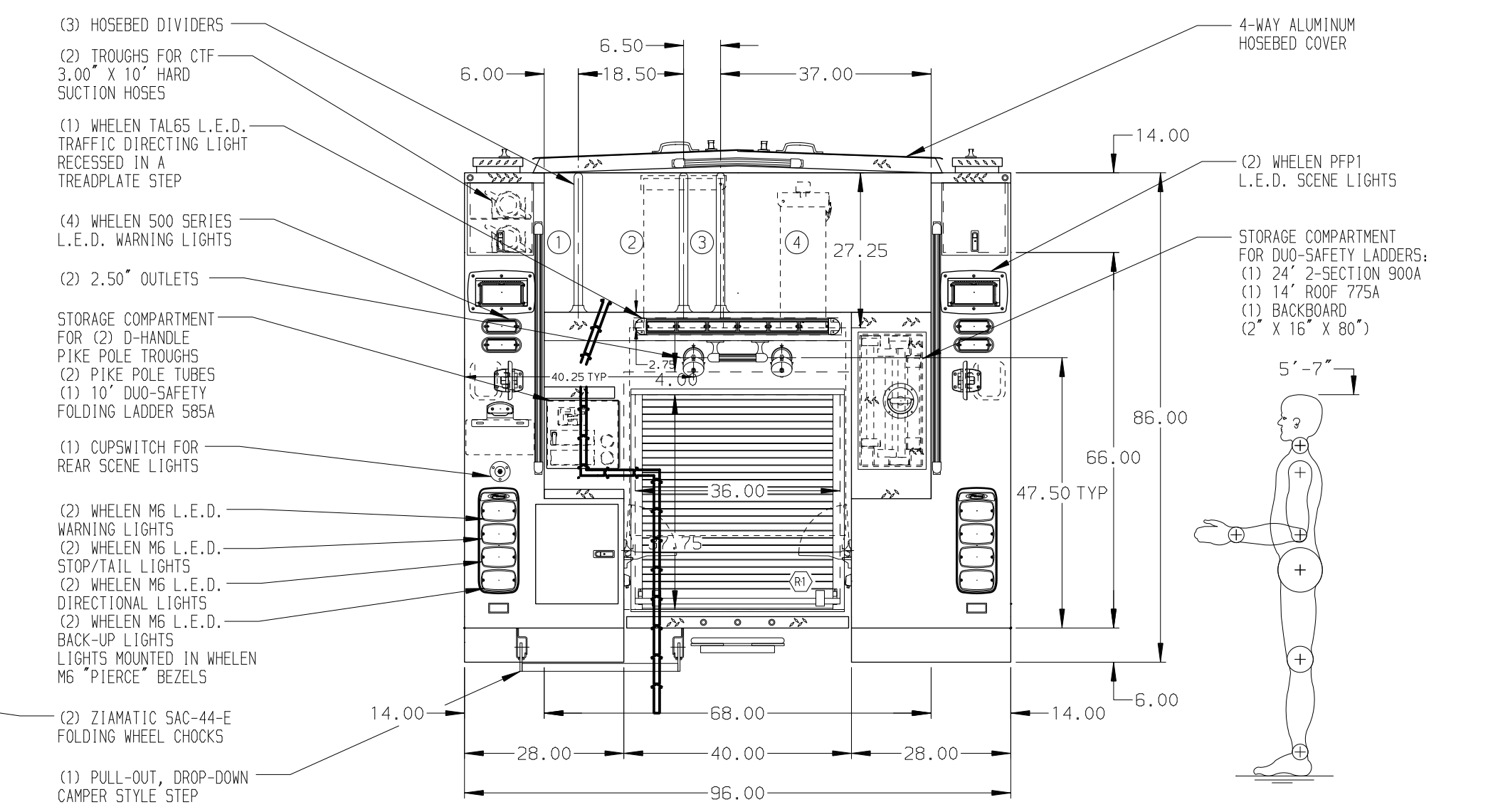
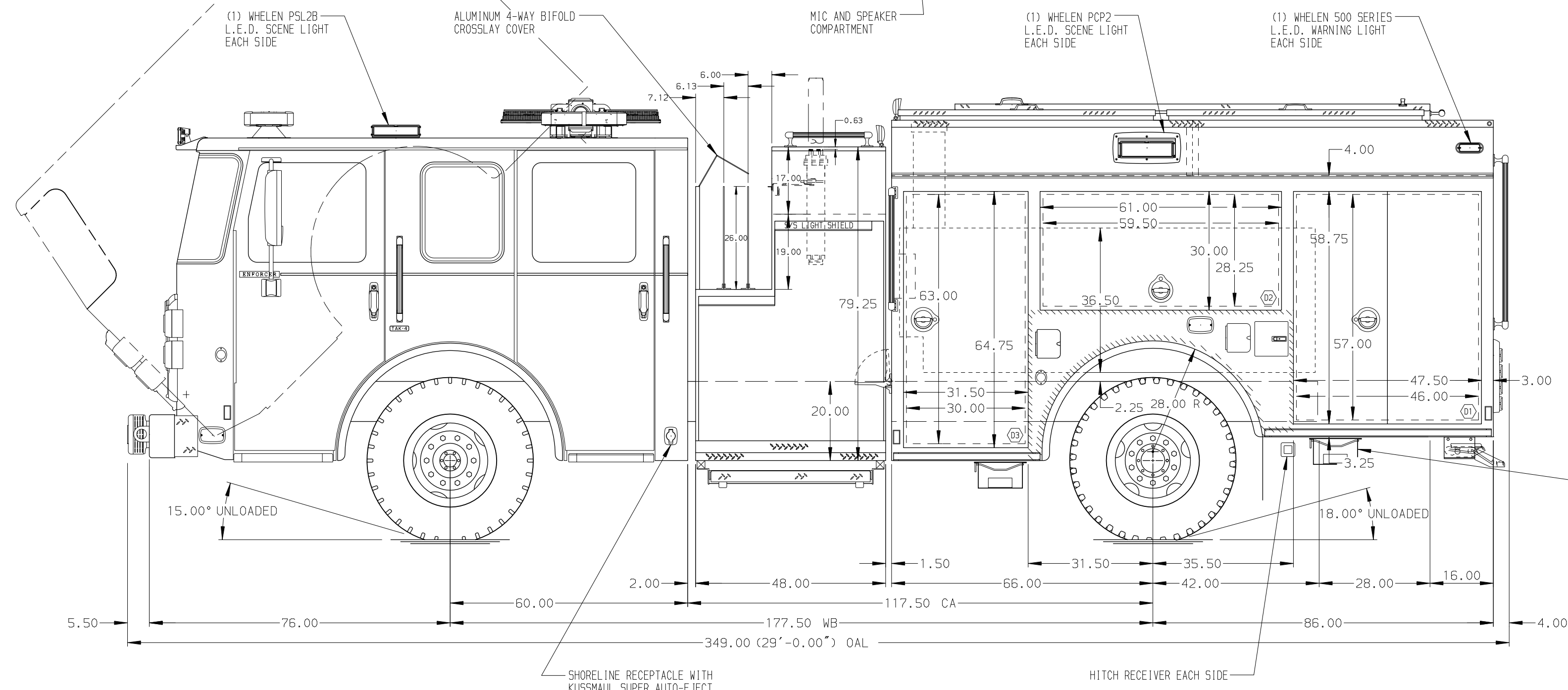


- HOSEBED CAPACITIES
- ① 150' OF 1.75" D.J. POLY HOSE
 - ② 700' OF 2.50" D.J. POLY HOSE
 - ③ 150' OF 1.75" D.J. POLY HOSE
 - ④ 1000' OF 4.00" D.J. POLY HOSE



GALVANNEAL

MAXIMUM O.A.H. 117.00"

NOTE
DIMENSIONS SHOWN ARE APPROXIMATE AND ARE SUBJECT TO MINOR DEVIATIONS AS MAY OCCUR OR BE NECESSARY IN CONSTRUCTION. MINOR DETAILS NOT SHOWN.

- 1. AIR INLET W/ DISCONNECT FITTING LOCATED ON DS PUMP PANEL
- 2. BATTERY CHARGER LOCATED BEHIND DRIVER'S SEAT
- 3. BATTERY CHARGE INDICATOR LOCATED ON D.S. SEAT RISER
- 4. KEYPAD LATCHES LOCATED ON COMPARTMENTS D1, D2, D3, P1, P2, & P3
- 5. REVERSED HINGED DOOR ON COMPARTMENT D3
- 6. ONE FULL WIDTH/DEPTH PAINTED ADJUSTABLE SHELF IN COMPARTMENT D2; TWO IN D1 & D3; THREE IN P1 & P3
- 7. ONE ADJUSTABLE TILTING SLIDE-OUT TRAY IN COMPARTMENT R1
- 8. ONE FLOOR MOUNTED SLIDE-OUT TRAY IN COMPARTMENTS D3 & R1
- 9. ONE VERTICAL PARTITION IN COMPARTMENTS D1 & P1
- 10. HORIZONTAL EQUIPMENT MOUNTING TRACKS IN COMPARTMENT P2
- 11. ONE FLOOR MOUNTED SLIDE-OUT TRAY WITH SPECIAL SIDES LOCATED IN COMPARTMENT D1
- 12. PARTITION BETWEEN COMPARTMENTS D1/R1 AND P1/R1

REV	DATE	BY	CH	ENFORCER
07APR17	JRO	KWI		
22AUG16	COL	CHR		
20JUL16	COL	CHR		
23MAY16	COL	SMA		

		JOB NO.	30103
		SCALE	DATE
TITLE	1250-D-500P W/20 GAL FOAM, 152" FDLER-6" RAISED REAR (3) XLAYS, DELUGE, LADDERS BESIDE TANK, REAR STEERING	DRAWN BY	COL
FOR	SCOTT'S VALLEY FPD SCOTT'S VALLEY, CALIFORNIA	CHECKED BY	SMA
DWG NO.	30103AD	SHEET SIZE	SHEET NO.
		D	1 OF 1