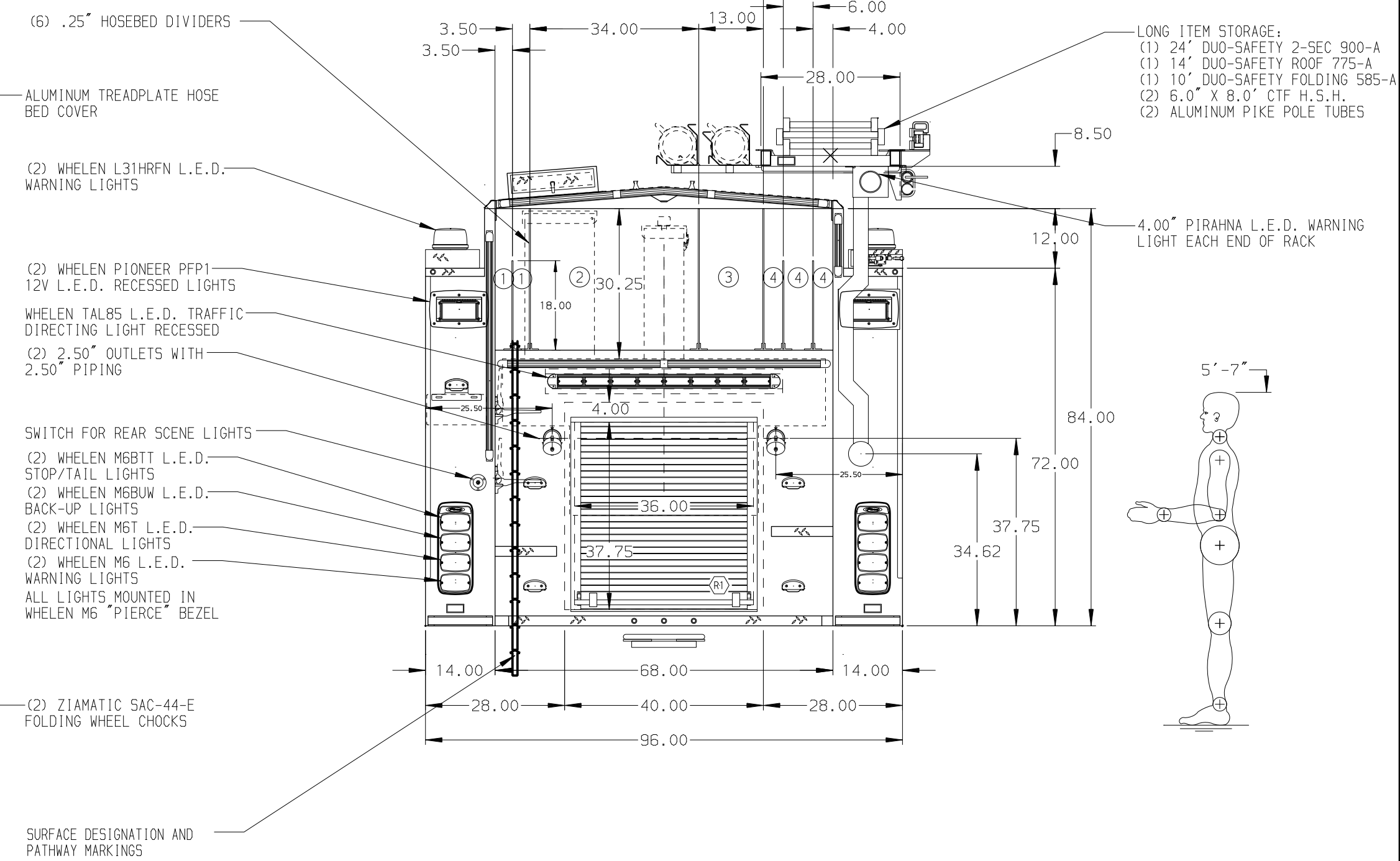
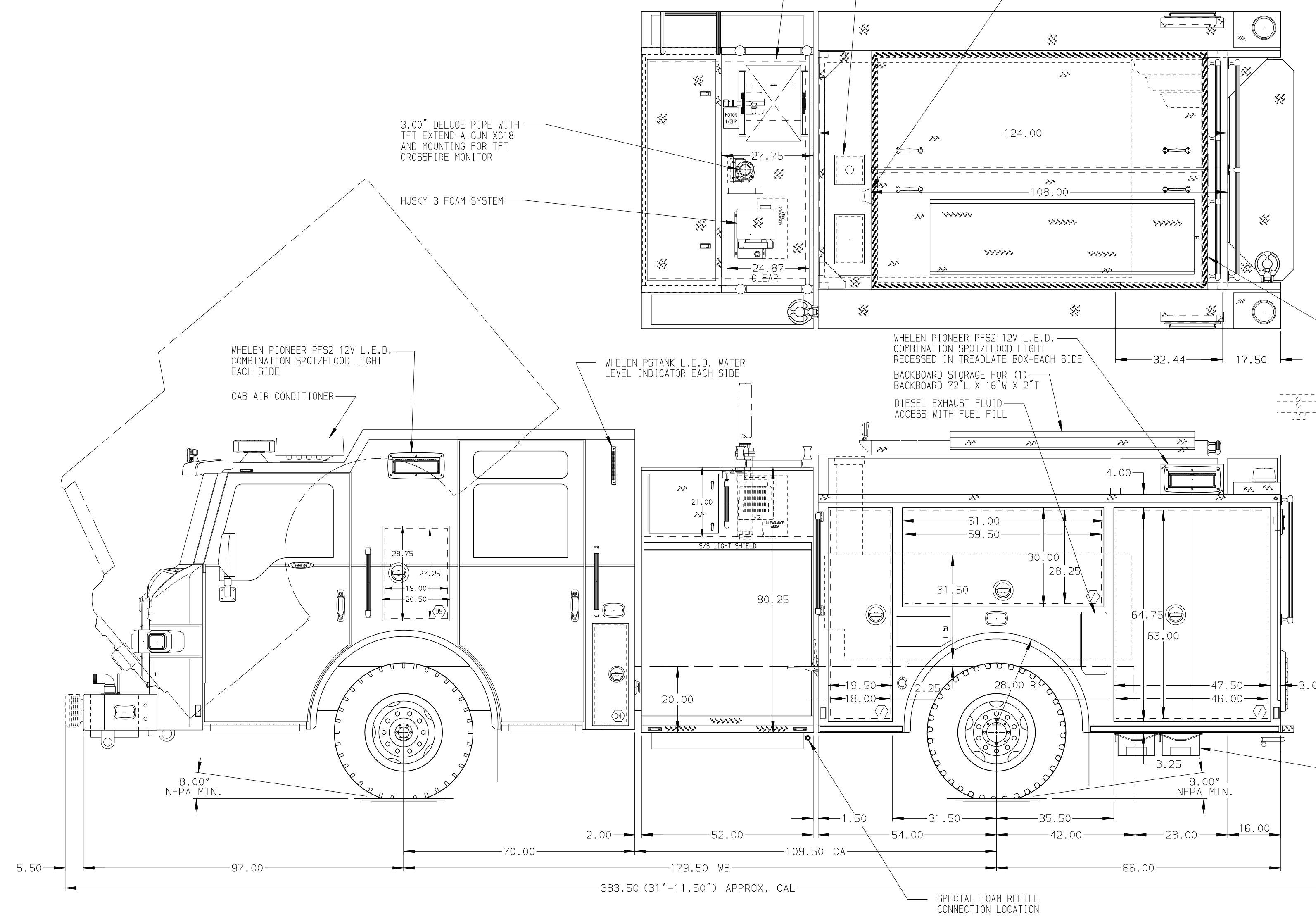


- HOSEBED CAPACITIES
- ① 150' OF 1.75" D.J. POLY HOSE
 - ② 1000' OF 5.00" D.J. POLY HOSE
 - ③ 600' OF 3.00" D.J. POLY HOSE
 - ④ 150' OF 1.75" D.J. POLY HOSE



GALVANNEAL BODY SIDE ROLL AND FRONTAL PROTECTION MAXIMUM O.A.L. 383.50" MAXIMUM O.A.H. 128.00"

NOTE
DIMENSIONS SHOWN ARE APPROXIMATE AND ARE SUBJECT TO MINOR DEVIATIONS AS MAY OCCUR OR BE NECESSARY IN CONSTRUCTION. MINOR DETAILS NOT SHOWN.

- 1. BATTERY CHARGER LOCATED BEHIND DRIVER SEAT
- 2. BATTERY CHARGE INDICATOR LOCATED NEAR D.S. SEAT RISER WITH BRACKET
- 3. ONE ADJUSTABLE SLIDE-OUT TRAY IN COMPARTMENT R1
- 4. CHECH DRAWER ASSEMBLY IN COMPARTMENT D3
- 5. ONE VERTICAL PARTITION IN COMPARTMENT TBO
- 6. AIR INLET WITH DISCONNECT FITTING LOCATED IN DRIVER'S SIDE STEP WELL
- 7. AIR OUTLET WITH SHUT OFF VALVE LOCATED ON DRIVER'S SIDE PUMP PANEL
- 8. 120V SHORELINE RECEPTACLE LOCATED IN DRIVER SIDE STEP WELL
- 9. ONE ADJUSTABLE FULL WIDTH/DEPTH SELF IN COMPARTMENT D2, P2, & R1, TWO IN D1, THREE IN D3 & P1, & FOUR IN P3

REV	DATE	BY	CH	VELOCITY
25MAY17	MMF	LPA	MAKE	
20APR17	BST	LPA	PIERCE	
03MAR17	MMF	JBL	MODEL	

		JOB NO.	30973
		SCALE	01-05
MANUFACTURING INC.		DATE	16FEB17
		DRAWN BY	MMF
TITLE 1500-D-520P, 500 GAL WATER W/20 GAL FOAM, DELUGE FULL HGT COMP FRNT & REAR, HYDRAULIC LADDER RACK		CHECKED BY	JBL
		DATE	21FEB17
FOR MODESTO REGIONAL FIRE AUTHORITY MODESTO, CALIFORNIA		SHEET SIZE	D
		SHEET NO.	1 OF 1
DWG NO. 30973AD			