

PASSENGER'S SIDE COMPARTMENTS CONTAIN THE FOLLOWING:

COMPARTMENT P1 CONTAINS:

- (1) 10' HANGING ELECTRIC CORD REEL WITH 300' OF 10/4 YELLOW HOSE
- (1) ADJUSTABLE SHELF
- (2) FULL WIDTH/DEPTH POLY TRAYS WITH 1' 00" TALL SIDES

COMPARTMENT P2 CONTAINS:

- (1) ADJUSTABLE SHELF
- (2) FULL WIDTH POLY TRAY WITH 1' 00" TALL SIDES

COMPARTMENT P3 CONTAINS:

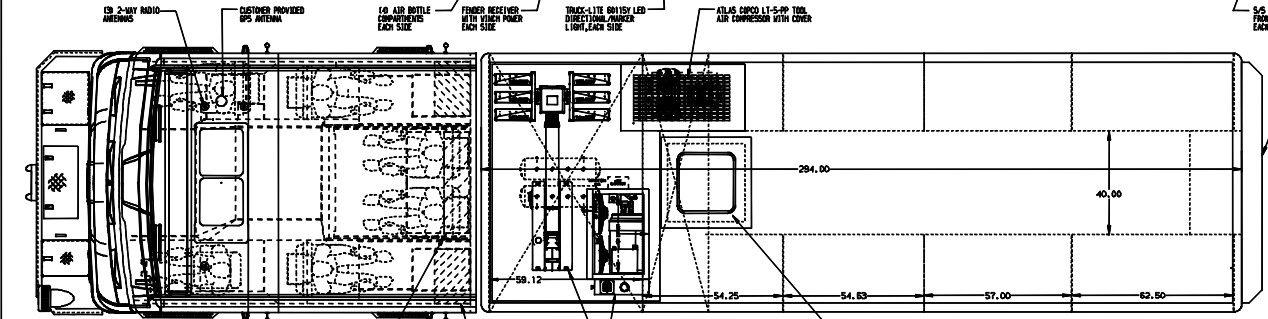
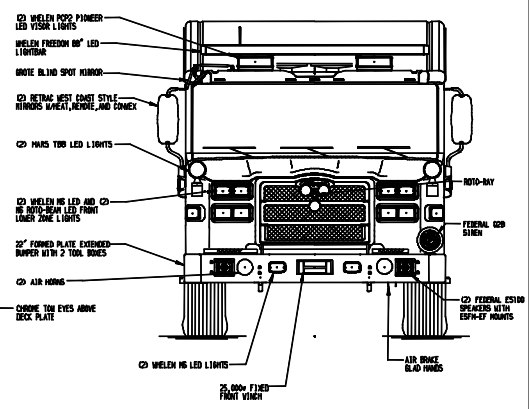
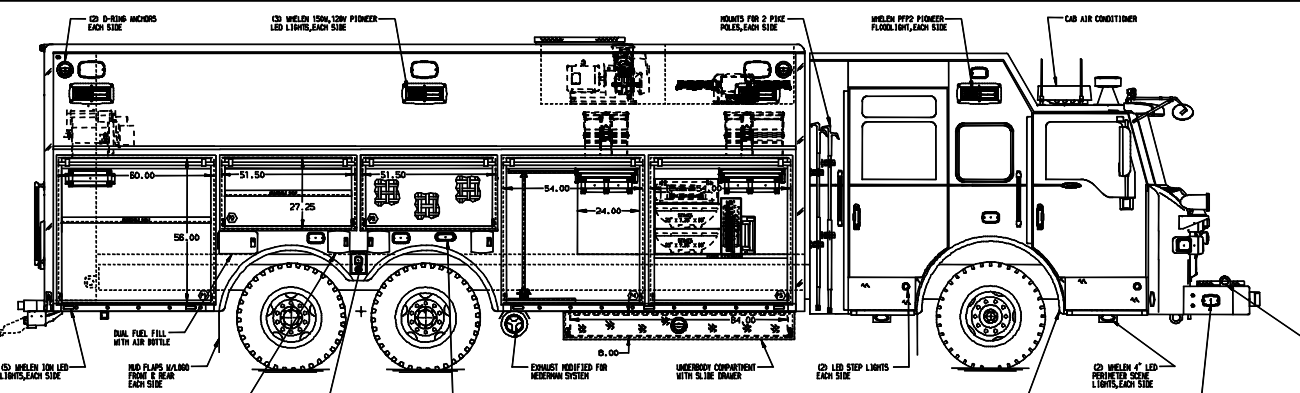
- CARGO RETENTION NETTING

COMPARTMENT P4 CONTAINS:

- (1) CHW MODEL 8021 DUAL ELECTRIC REWIND HYDRAULIC HOSE REELS
- (1) 30A 240V TL RECEPTACLE LOCATED IN MIDDLE OF TRANSCHESE AREA FRONT WALL
- (1) SLIT-OUT TOOLBOARD

COMPARTMENT P5 CONTAINS:

- (1) CHW MODEL 8021 DUAL ELECTRIC/TOOL TRAYS
- (1) BACK FOR COMWELDEN POPCOT TRIPPOD LIGHTS
- (1) BACK FOR LITTLE KAMM LADDER
- (1) BACK FOR 30A SAFETY 700 TL LADDER
- (2) BASKETS FOR STICKS
- (1) FLOOR EXTENSION



DRIVER'S SIDE COMPARTMENTS CONTAIN THE FOLLOWING:

COMPARTMENT D1 CONTAINS:

- (1) 10' HANGING ELECTRIC CORD REEL WITH 300' OF 10/4 YELLOW HOSE
- (1) ADJUSTABLE SHELVES
- (1) AIR TOOL COMPRESSOR CONTROL BOX
- (1) VERTICAL DIVIDER

COMPARTMENT D2 CONTAINS:

- (1) ADJUSTABLE SHELF
- (1) BACK FOR 24 AIR BAGS

COMPARTMENT D3 CONTAINS:

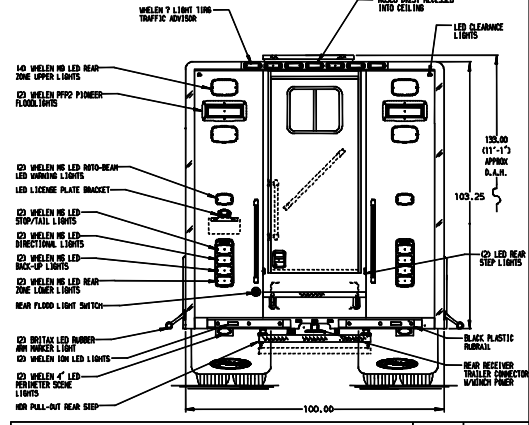
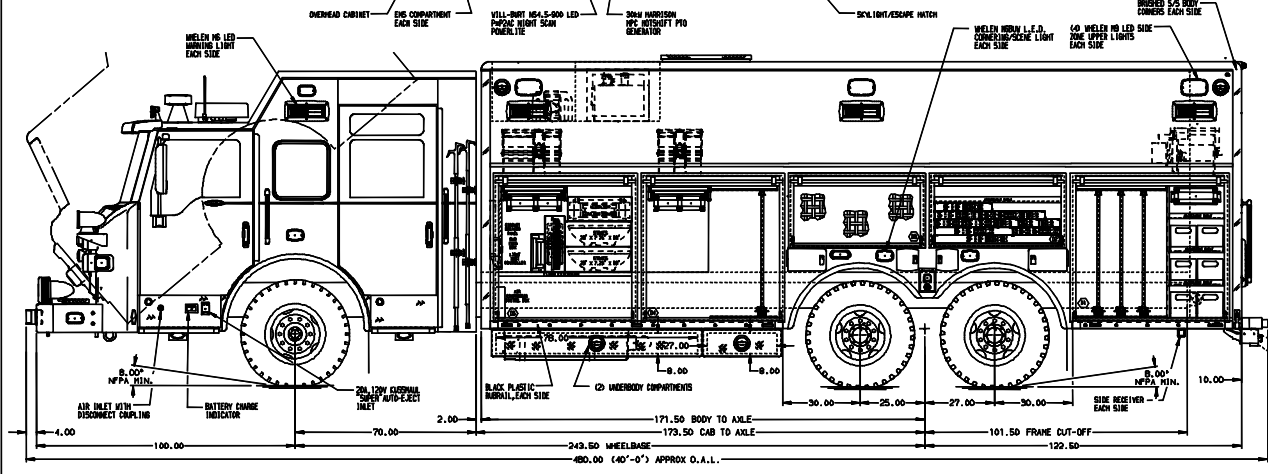
- CARGO RETENTION NETTING

COMPARTMENT D4 CONTAINS:

- (1) CHW MODEL 8021 DUAL ELECTRIC REWIND HYDRAULIC HOSE REELS
- (1) 30A 240V TL RECEPTACLE LOCATED IN MIDDLE OF TRANSCHESE AREA FRONT WALL
- (1) SLIT-OUT TOOL BOARD

COMPARTMENT D5 CONTAINS:

- (1) CHW MODEL 8021 DUAL ELECTRIC/TOOL TRAYS
- (1) AIR BOTTLE
- (1) REWINDER METER PANEL
- (1) CRIGHT BRASSER PANEL
- (1) REGRULATOR AND GAUGES FOR TOOL AIR REEL
- (1) BACK FOR LITTLE KAMM LADDER
- (1) BACK FOR COMWELDEN POPCOT TRIPPOD LIGHTS
- (1) BACK FOR 30A SAFETY 700 TL LADDER
- (1) 30A 240V TL SHORELINE RECEPTACLE
- (1) FLOOR EXTENSION



NOTE:
DIMENSIONS SHOWN ARE APPROXIMATE AND ARE SUBJECT TO MINOR DEVIATIONS AS MAY OCCUR OR BE NECESSARY IN CONSTRUCTION.
MINOR DETAILS NOT SHOWN.

- NOTES:**
1. MAIN ZEM 10-S 10,000 PORTABLE WINCH
 2. BRUSHED S/S SUPPLIES ON CAB AND GREY CAB DOOR JAMBS
 3. FLAME IN CAB AND GREY CAB TO BE PULSED BARRED
 4. FLOORING 5-POSITION THERMO STOPS
 5. GENERAL PAUP BARS TO BE CHANGED LOCATED BEHIND DRIVER'S SEAT
 6. 30\"/>

SIDE ROLL & FRONTAL IMPACT PROTECTION

REV	DATE	BY	CHK	REV	DATE	BY	CHK
1	10SEP14	DNE	AJU	1	17JAN14	DNE	AJU
2				2			

Pierce MANUFACTURING INC.		JOB NO.	27476
TITLE		SCALE	DATE
HEAVY DUTY RESCUE NON-WALKIN/WALKIN COMBO		1:24	
FOR PRINCE GEORGE'S COUNTY FIRE & EMS		DRAWN BY	DHE
PRINCE GEORGE'S COUNTY		DESIGNED BY	AJU
DWG NO. 27476AD-SH1		SHEET SIZE	14JAN14
		SHEET NO.	1 OF 1