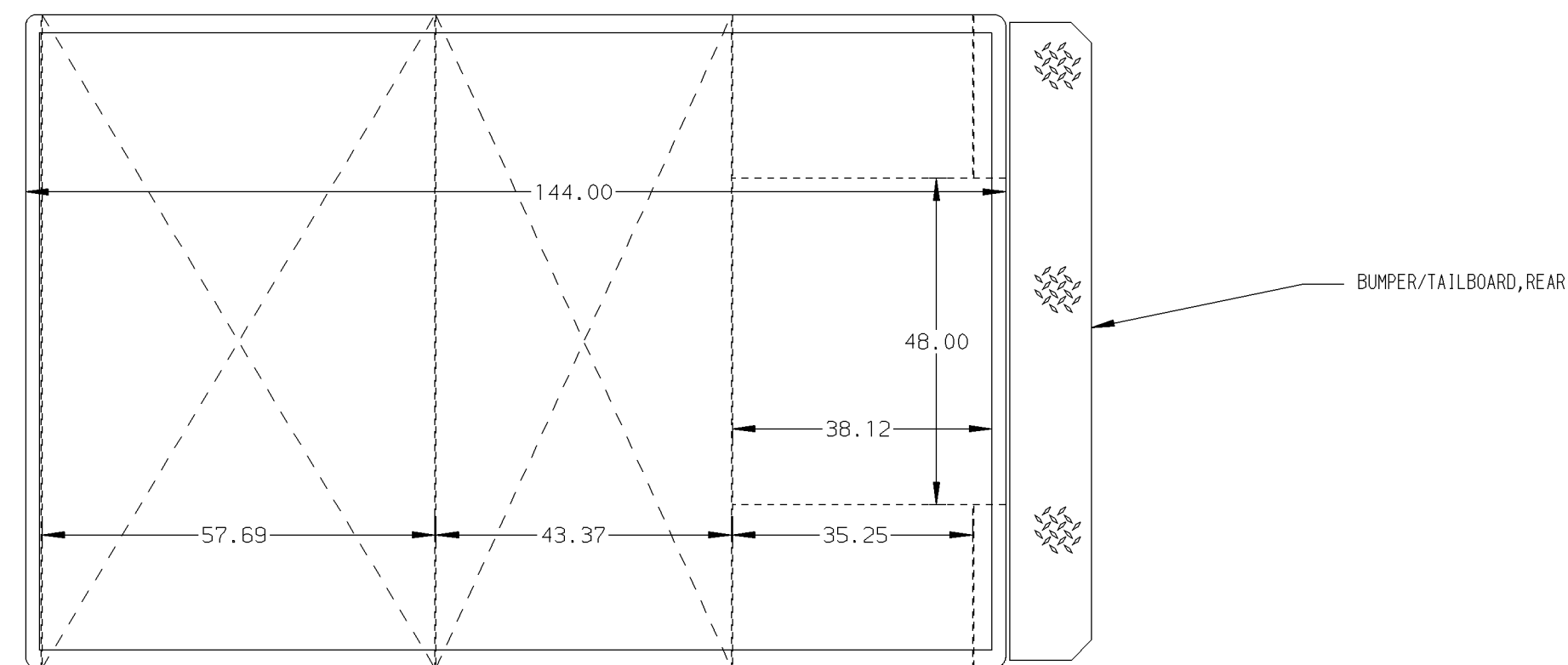
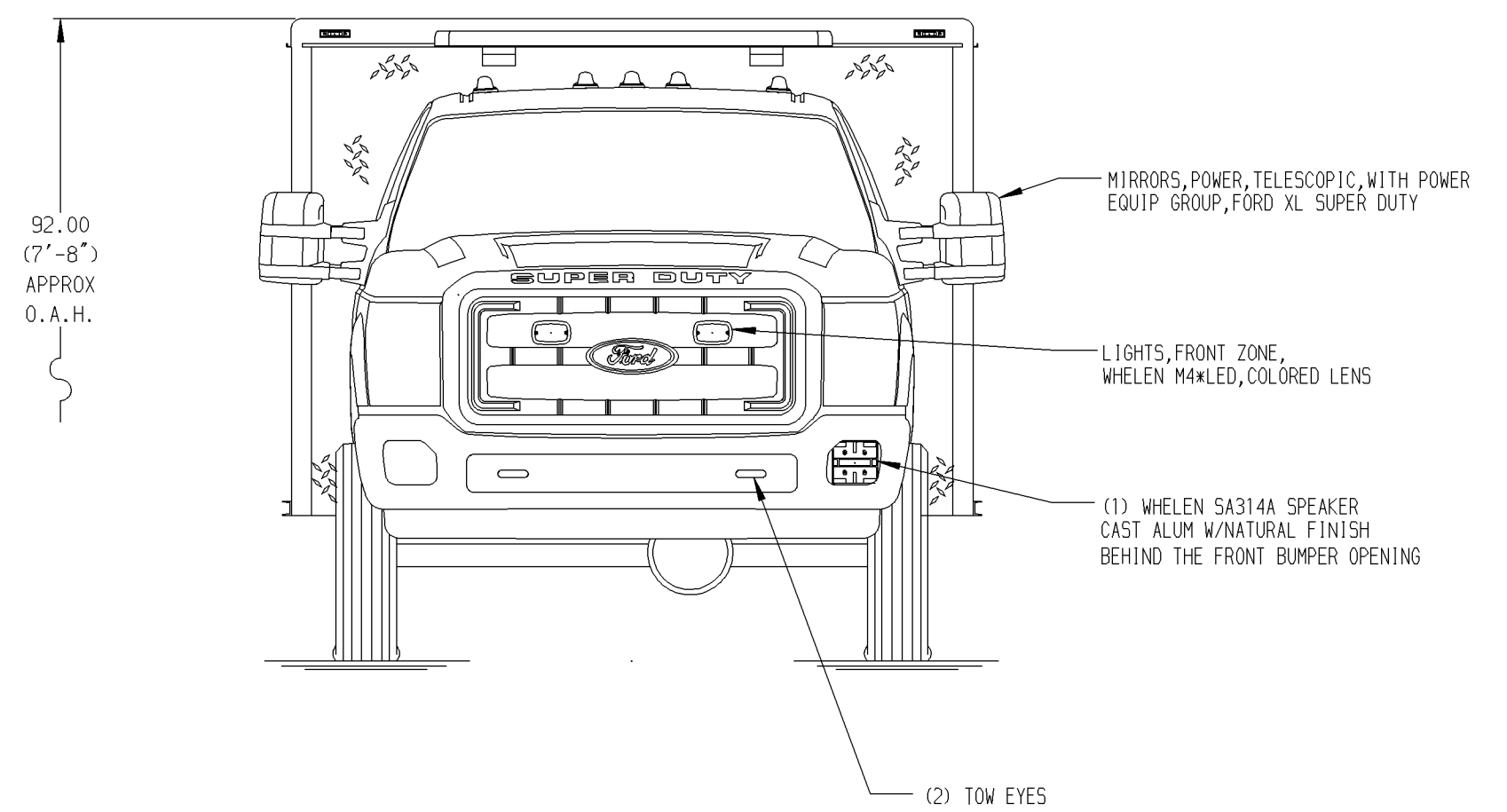
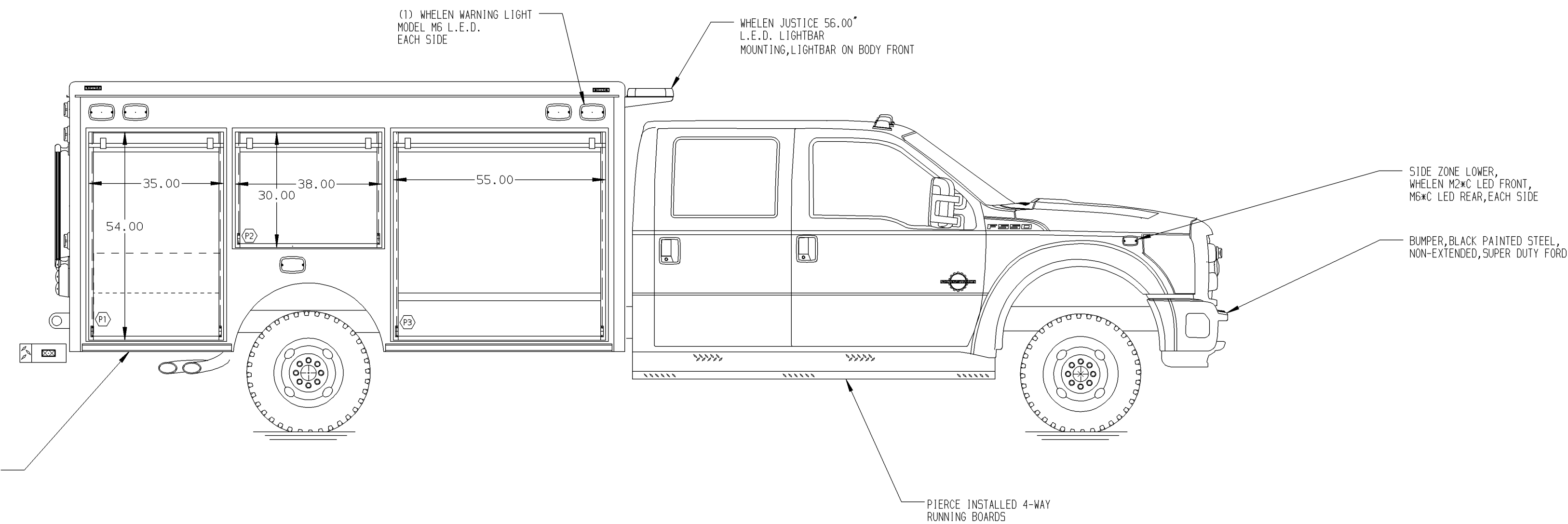


PASSENGER'S SIDE COMPARTMENTS
CONTAIN THE FOLLOWING:

COMPARTMENT P1 CONTAINS:

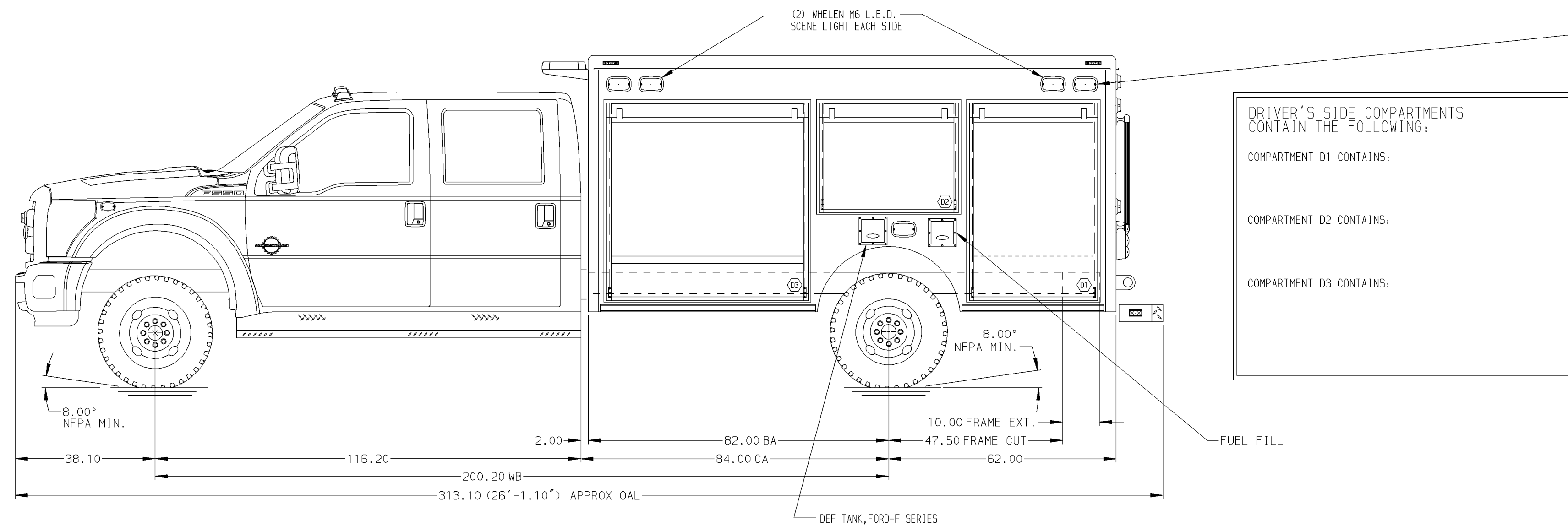
COMPARTMENT P2 CONTAINS:

COMPARTMENT P3 CONTAINS:



REAR COMPARTMENT R1 CONTAINS THE FOLLOWING:

COMPARTMENT R1 CONTAINS:

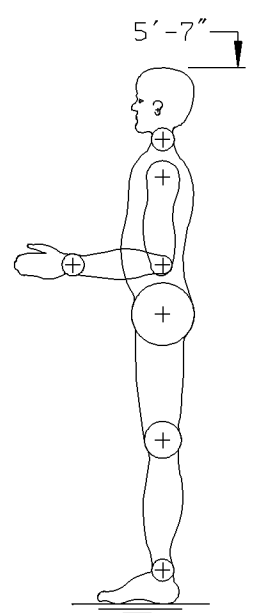
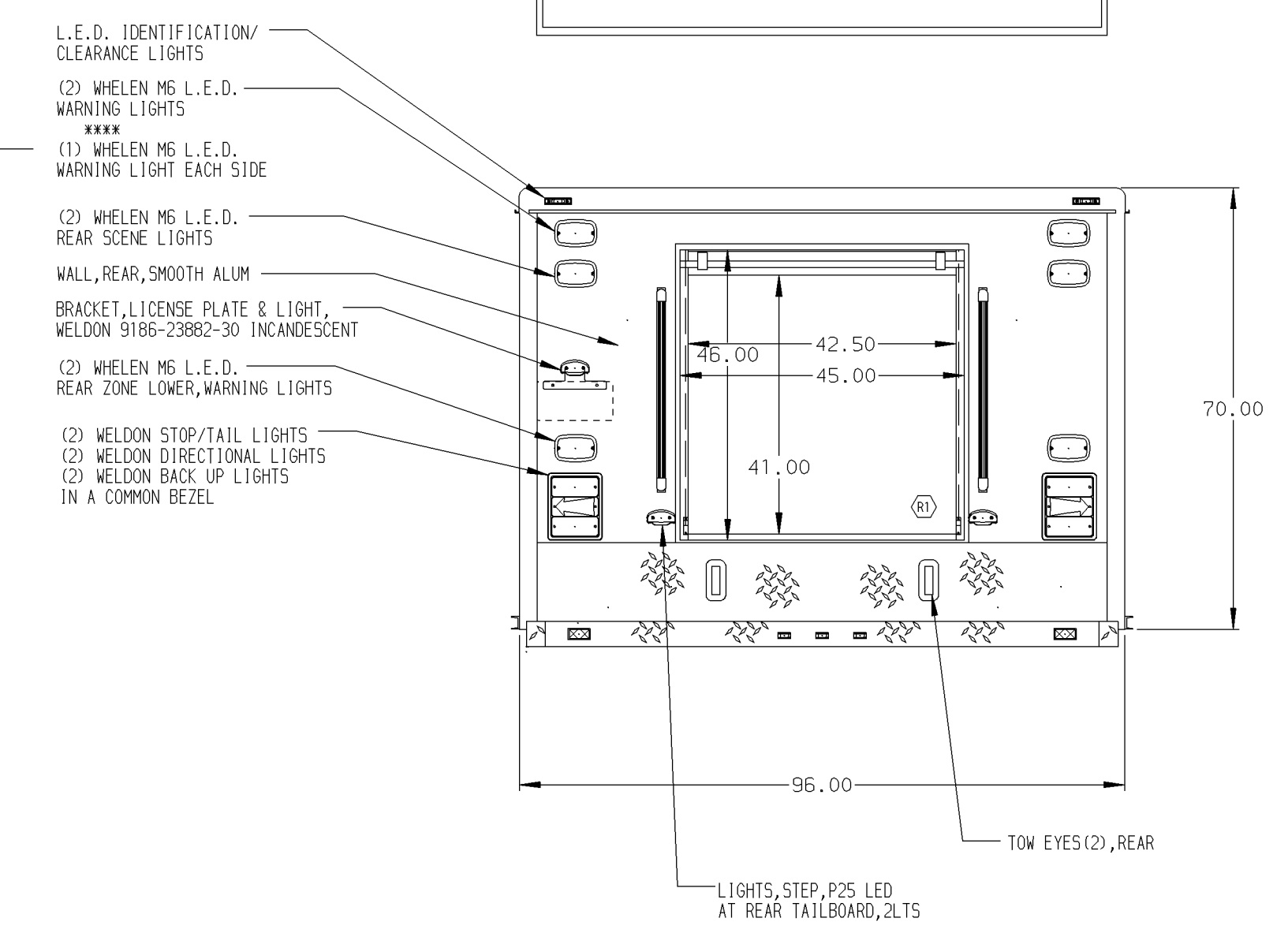


DRIVER'S SIDE COMPARTMENTS CONTAIN THE FOLLOWING:

COMPARTMENT D1 CONTAINS:

COMPARTMENT D2 CONTAINS:

COMPARTMENT D3 CONTAINS:



ALUMINUM BODY

NOTE
DIMENSIONS SHOWN ARE APPROXIMATE AND ARE SUBJECT TO MINOR DEVIATIONS AS MAY OCCUR OR BE NECESSARY IN CONSTRUCTION. MINOR DETAILS NOT SHOWN.

- BATTERY CHARGER LOCATED UNDER THE BENCH SEAT IN THE CREW CAB
- UNPAINTED SHELF TRACKS IN EACH COMPARTMENT
- BATTERY RECEPTACLE LOCATED ON STEP AREA
- DUAL LIGHT STRIPS, EACH SIDE OF DOOR, LOCATED IN ALL COMPARTMENTS
- EXHAUST SYSTEM, DEF/SCR, HORIZONTAL EXHAUST
- PAINTED, GORILLITE ROLL-UP DORRS

REV.	DATE	BY	CHK'D	CHASSIS DATA
				CHASSIS
				FORD
				MODEL F550 4X4

		JOB NO.	27706
		DATE	SCALE 1:24
TITLE	12 FT CONTENDER RESCUE NON-WALKIN	14 JAN 14	DRAWN BY JAF
FOR	PIERCE MANUFACTURING BRADENTON, FLORIDA	15 JAN 14	CHK'D BY CAG
DRWG. NO.	27706AD	SHEET NO.	1 OF 1
			SHEET SIZE D