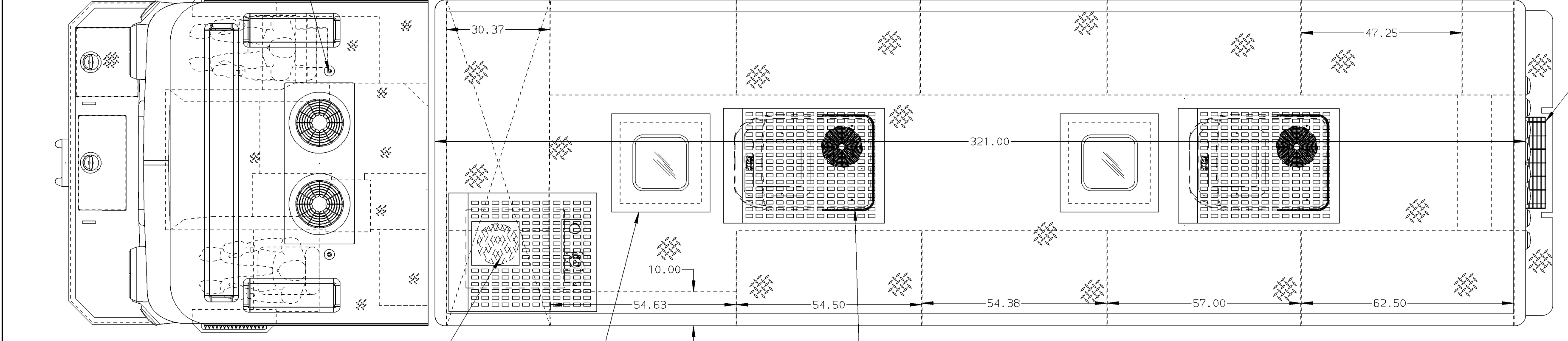
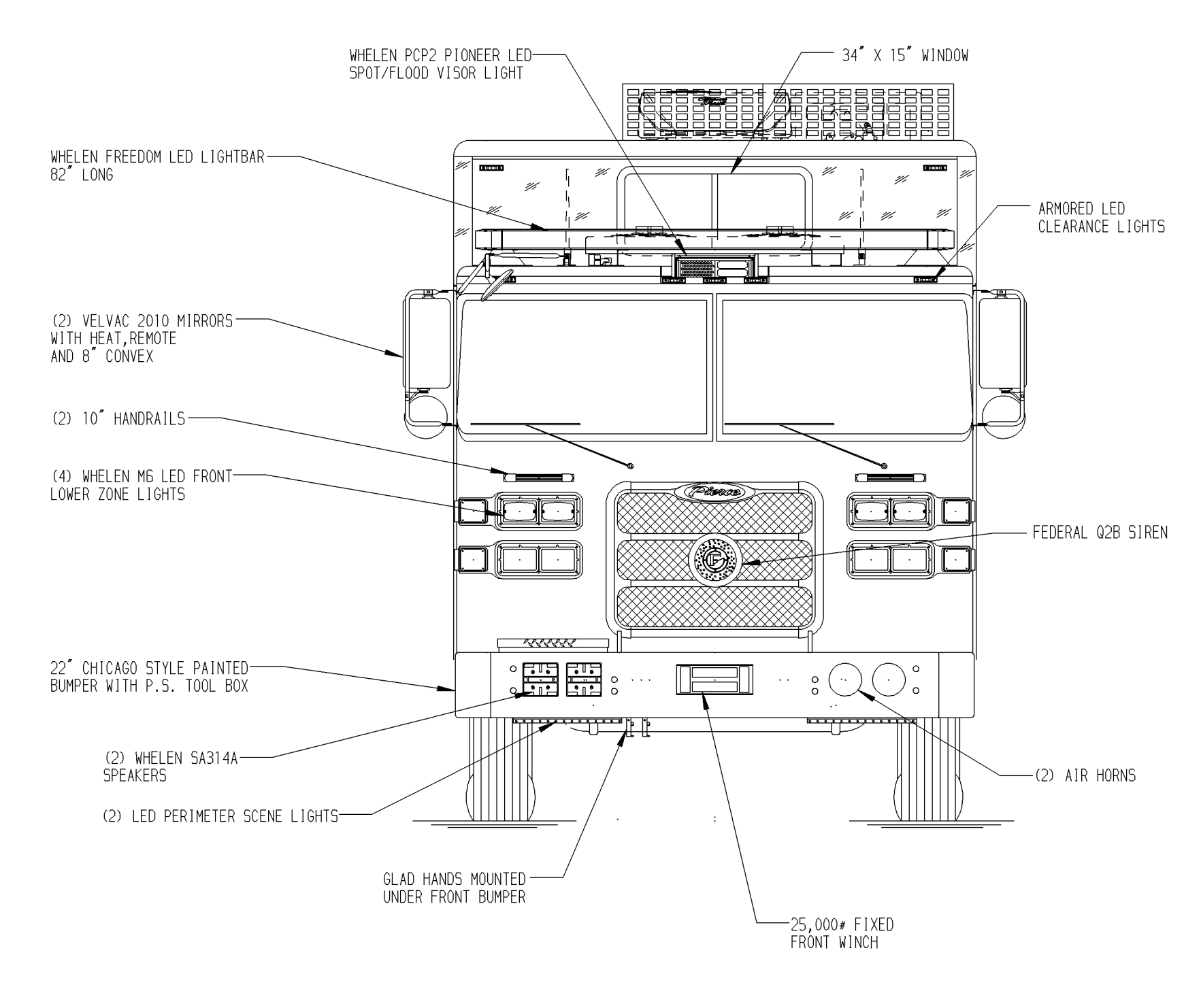
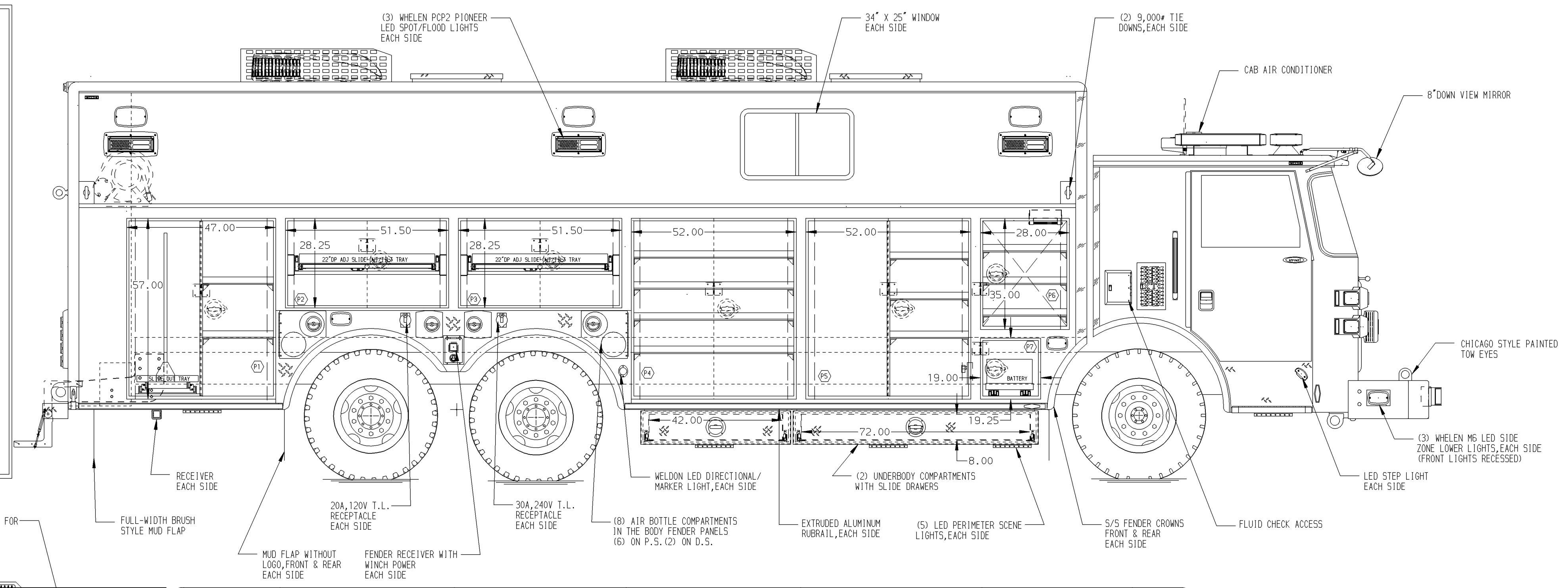
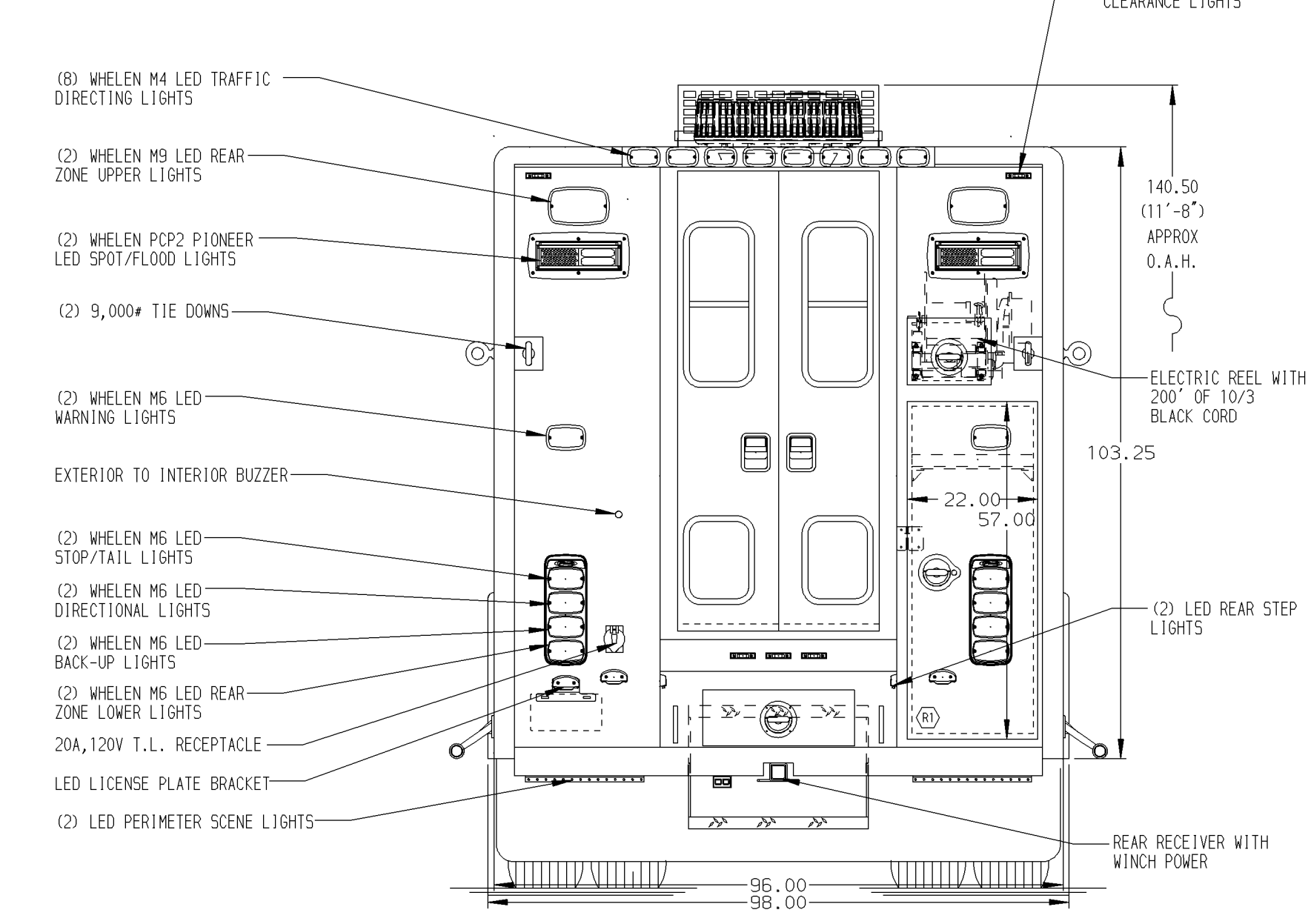
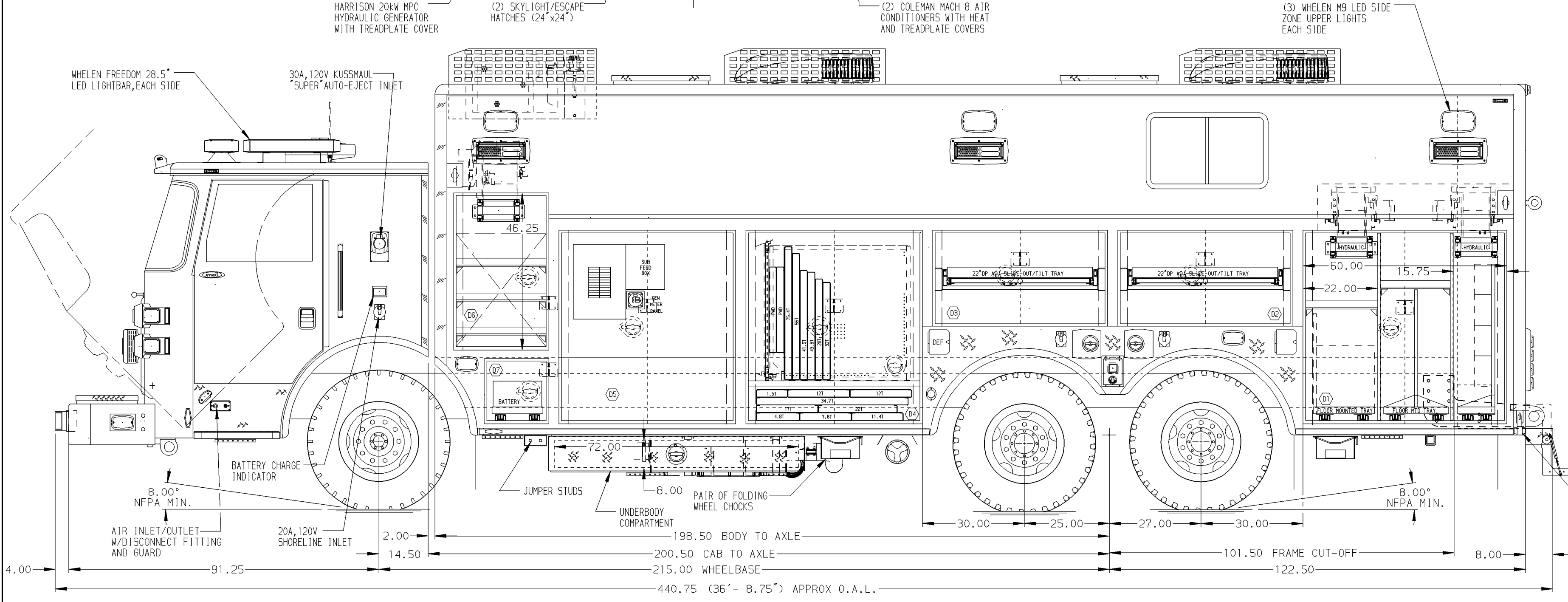


- PASSENGER'S SIDE COMPARTMENTS CONTAIN THE FOLLOWING:**
- COMPARTMENT P1 CONTAINS:
    - (1) FLOOR MOUNTED SLIDEMASTER TRAY WITH TOOLBOARD
    - (1) VERTICAL COMPARTMENT DIVIDER
    - (2) 22" DP ADJ. SHELVES
  - COMPARTMENT P2 CONTAINS:
    - (1) 22" DP ADJ. SLIDE OUT/TILT TRAY WITH SLIDEMASTER SLIDES
  - COMPARTMENT P3 CONTAINS:
    - (1) 22" DP ADJ. SLIDE OUT/TILT TRAY WITH SLIDEMASTER SLIDES
  - COMPARTMENT P4 CONTAINS:
    - (4) ADJUSTABLE SHELVES
  - COMPARTMENT P5 CONTAINS:
    - (1) CAB LIFT CONTROLLER
    - (3) ADJUSTABLE SHELVES
    - (1) VERTICAL COMPARTMENT DIVIDER
  - COMPARTMENT P6 CONTAINS:
    - (3) TRANSVERSE ADJ. SHELVES
  - COMPARTMENT P7 CONTAINS:
    - SLIDE OUT TRAY AND CHASSIS BATTERIES



- DRIVER'S SIDE COMPARTMENTS CONTAIN THE FOLLOWING:**
- COMPARTMENT D1 CONTAINS:
    - (2) ADJUSTABLE SHELVES
    - (2) HYDRAULIC REELS W/100' OF HOSE
    - (2) VERTICAL COMPARTMENT DIVIDERS
    - (3) FLOOR MOUNTED TRAYS
    - (2) TOOLBOARDS MOUNTED IN TRAYS
  - COMPARTMENT D2 CONTAINS:
    - (1) 22" DP ADJ. SLIDE OUT/TILT TRAY WITH SLIDEMASTER SLIDES
  - COMPARTMENT D3 CONTAINS:
    - (1) 22" DP ADJ. SLIDE OUT/TILT TRAY WITH SLIDEMASTER SLIDES
  - COMPARTMENT D4 CONTAINS:
    - (1) HORIZONTAL FLOOR EXTENSION
    - (1) SWING OUT TOOLBOARD
    - (1) RACK FOR 9 HORIZONTAL AIR BAGS
    - (1) RACK FOR 6 AIR BAGS AND 2 PADS - VERTICAL
  - COMPARTMENT D5 CONTAINS:
    - (1) CIRCUIT BREAKER PANEL
    - (1) GENERATOR METER PANEL
    - (1) SUB FEED BOX
  - COMPARTMENT D6 CONTAINS:
    - (1) KUSSMAUL 1200 CHARGER
    - (3) TRANSVERSE ADJ. SHELVES
    - (1) ELECTRIC CORD REEL WITH 200' OF 10/3 BLACK CORD
  - COMPARTMENT D7 CONTAINS:
    - SLIDE OUT TRAY AND CHASSIS BATTERIES



**NOTE**  
DIMENSIONS SHOWN ARE APPROXIMATE AND ARE SUBJECT TO MINOR DEVIATIONS AS MAY OCCUR OR BE NECESSARY IN CONSTRUCTION. MINOR DETAILS NOT SHOWN.

- NOTES:**
- ONSPOT AUTOMATIC TIRE CHAINS
  - WARN 10,000# PORTABLE WINCH
  - BRUSHED S/S SLUFFPLATES ON CAB DOOR JAMBS
  - BRUSHED S/S SLUFFPLATE ON REAR CAB CORNERS
  - ALUMINUM TREADPLATE ON CAB ROOF
  - FLOOR IN CAB TO BE ALUMINUM TREADPLATE
  - SETCOM 7 POSITION INTERCOM SYSTEM
  - BRUSHED S/S ON FRONT AND FRONT CORNERS OF THE BODY
  - AND/OR LIGHTS IN ALL FULL BODY COMPARTMENTS

**NOTE:**  
LAP DOORS HAVE BEEN SHOWN IN HIDDEN LINES TO CLEARLY IDENTIFY THE EQUIPMENT IN EACH COMPARTMENT. DASHED LINES ON SIDES ARE DOORS IN OPEN POSITION

ALL S/S FASTENERS

		JOB NO.	27822
		SCALE	DATE
TITLE	HEAVY DUTY RESCUE WALKIN	DRAWN BY	DHE 09MAY14
FOR	DEKALB COUNTY FIRE DEPARTMENT DEKALB, GA	CHECKED BY	AZU 12MAY14
DWG NO.	27822AD-SH1	SHEET SIZE	SHEET NO.
		D	1 of 2

REV	DATE	BY	CH	CHASSIS DATA
1	17NOV14	DHE	CDK	
2	30OCT14	DHE	AZU	
3	12SEP14	DHE	CDK	PIERCE
4	20MAY14	DHE	MPE	MODEL
				AX1500