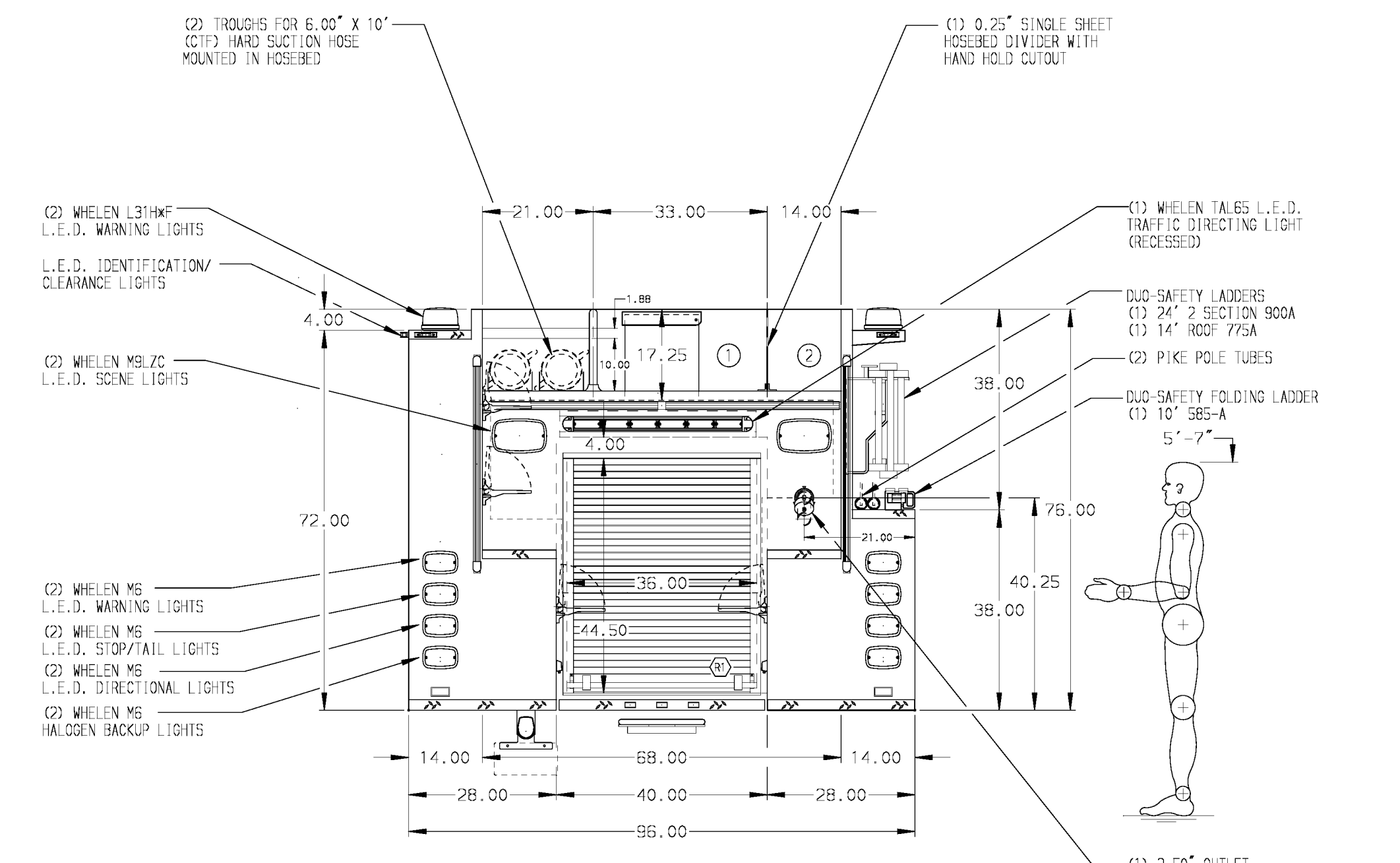
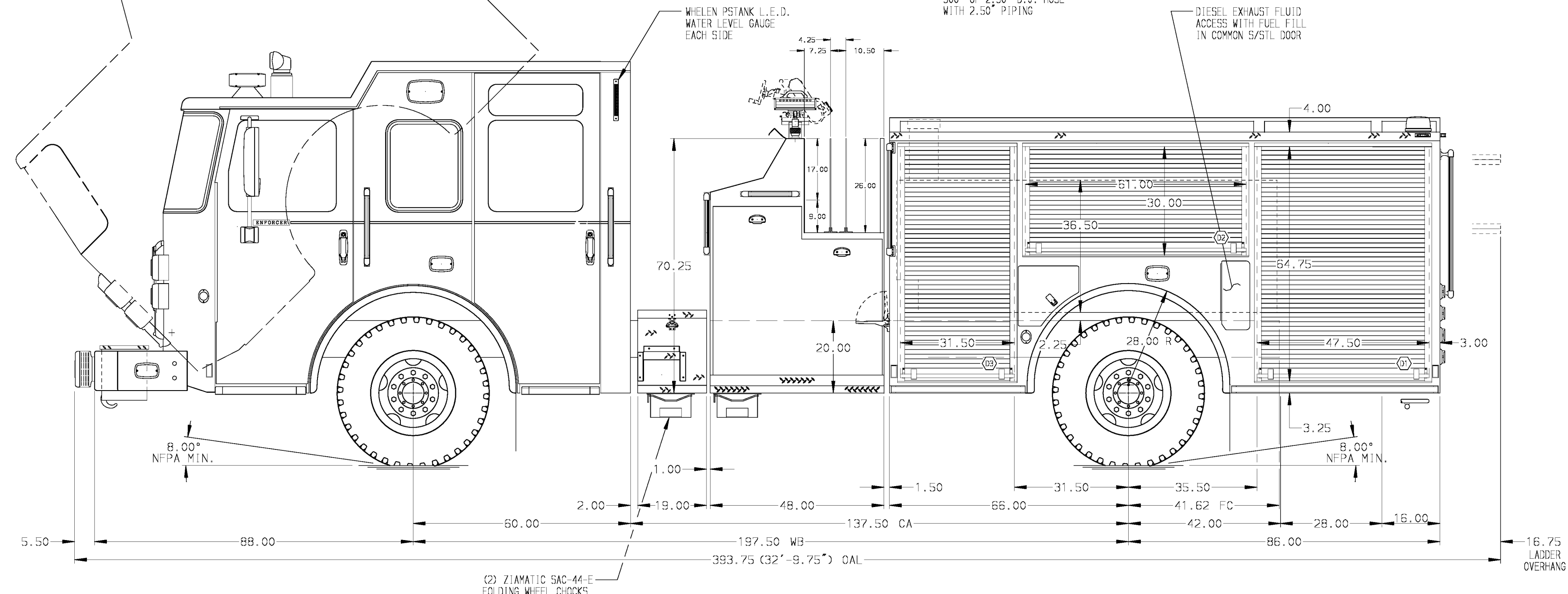


HOSEBED CAPACITIES
 1 500' OF 5.00" D.J. HOSE
 2 150' OF 1.75" D.J. HOSE (ABOVE)
 500' OF 2.50" D.J. HOSE (BELOW)



ALUMINUM BODY

MAXIMUM O.A.L. 393.75"

SIDE ROLL AND FRONTAL IMPACT PROTECTION

NOTE
 DIMENSIONS SHOWN ARE APPROXIMATE AND ARE SUBJECT TO MINOR DEVIATIONS AS MAY OCCUR OR BE NECESSARY IN CONSTRUCTION. MINOR DETAILS NOT SHOWN.

- MOUNTING BASE FOR ANTENNA LOCATED PER SHOP ORDER
- BATTERY CHARGING RECEPTACLE LOCATED ADJACENT TO BATTERY
- PERIMETER SCENE LIGHTS LOCATED PER SHOP ORDER
- PIERCE L.E.D. DUAL COMPARTMENT LIGHT STRIPS LOCATED PER SHOP ORDER
- SHelf TRAcK LOCATED IN COMPARTMENT D1, D2, D3 & R1
- ONE ADJUSTABLE SHelf (FULL DEPTH/FULL WIDTH) IN COMPARTMENT D1, D2, D3 & R1
- ONE FLOOR MOUNTED SLIDE-OUT TRAY IN COMPARTMENT D1, R1 & R2
- ALL FOLDING STEPS TO BE TRIDENT WITH INTEGRATED L.E.D. LIGHT UNLESS SPECIFIED
- STAINLESS STEEL FENDER CROWNS FRONT AND REAR
- PIERCE LOGO MUDFLAPS FRONT AND REAR

- AIR INLET WITH DISCONNECT COUPLING IN D.S. STEP WELL
- 120V SHORELINE RECEPTACLE LOCATED IN D.S. SEAT RISER
- PARTITION BETWEEN COMPARTMENTS P1/R1
- TWO DUPLEX RECEPTACLES LOCATED IN EMS COMPARTMENT
- MOUNTING BASE FOR RADIO ANTENNA LOCATED PER SHOP ORDER
- BATTERY CHARGER LOCATED BEHIND DRIVER SEAT
- BATTERY CHARGE INDICATOR LOCATED ON D.S. SEAT RISER
- ALUMINUM PEGBARD WITH TRACKS ON THE REAR WALL OF COMPARTMENT D3

REV	DATE	BY	CH	ENFORCER
1	12MAR15	DDO	JBO	PIERCE
2	13FEB15	DDO	JBO	MODEL

		JOB NO.	28178
		SCALE	1:24
CHASSIS DATA TITLE 1500-D-750P, 152" FH FRT & RR FDLR DS, LOW PS FDLR MAKE (3) XLAYS, LADDERS ON SIDE, DELUGE, A/C FOR HUNTLEY FIRE PROTECTION DISTRICT HUNTLEY, IL	DRAWN BY	DDO	22DEC14
	CHECKED BY	CSH	22DEC14
	SHEET SIZE	D	SHEET NO.

DWG NO. 28178AD