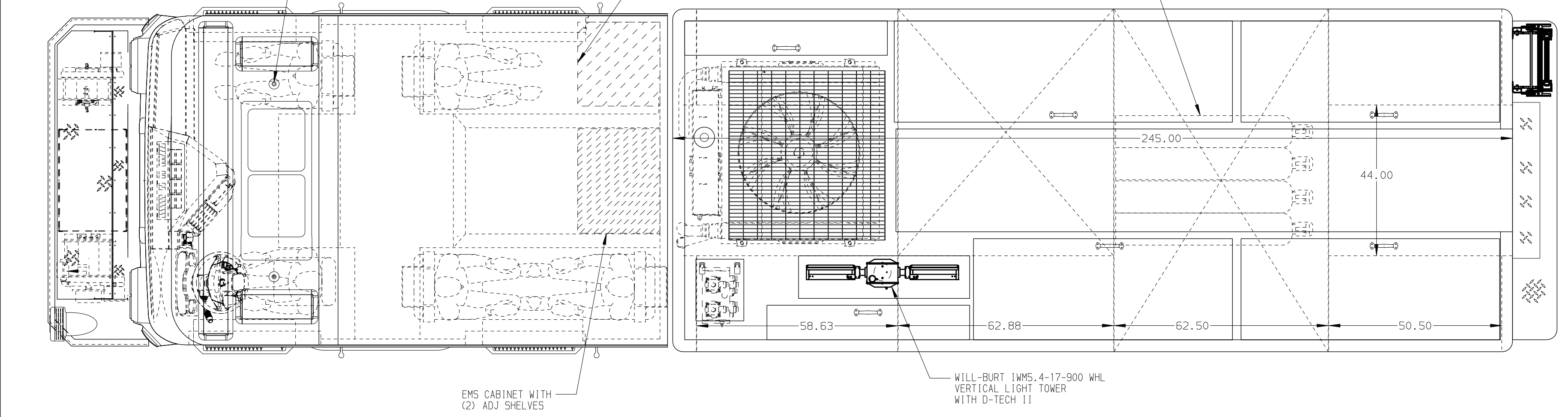
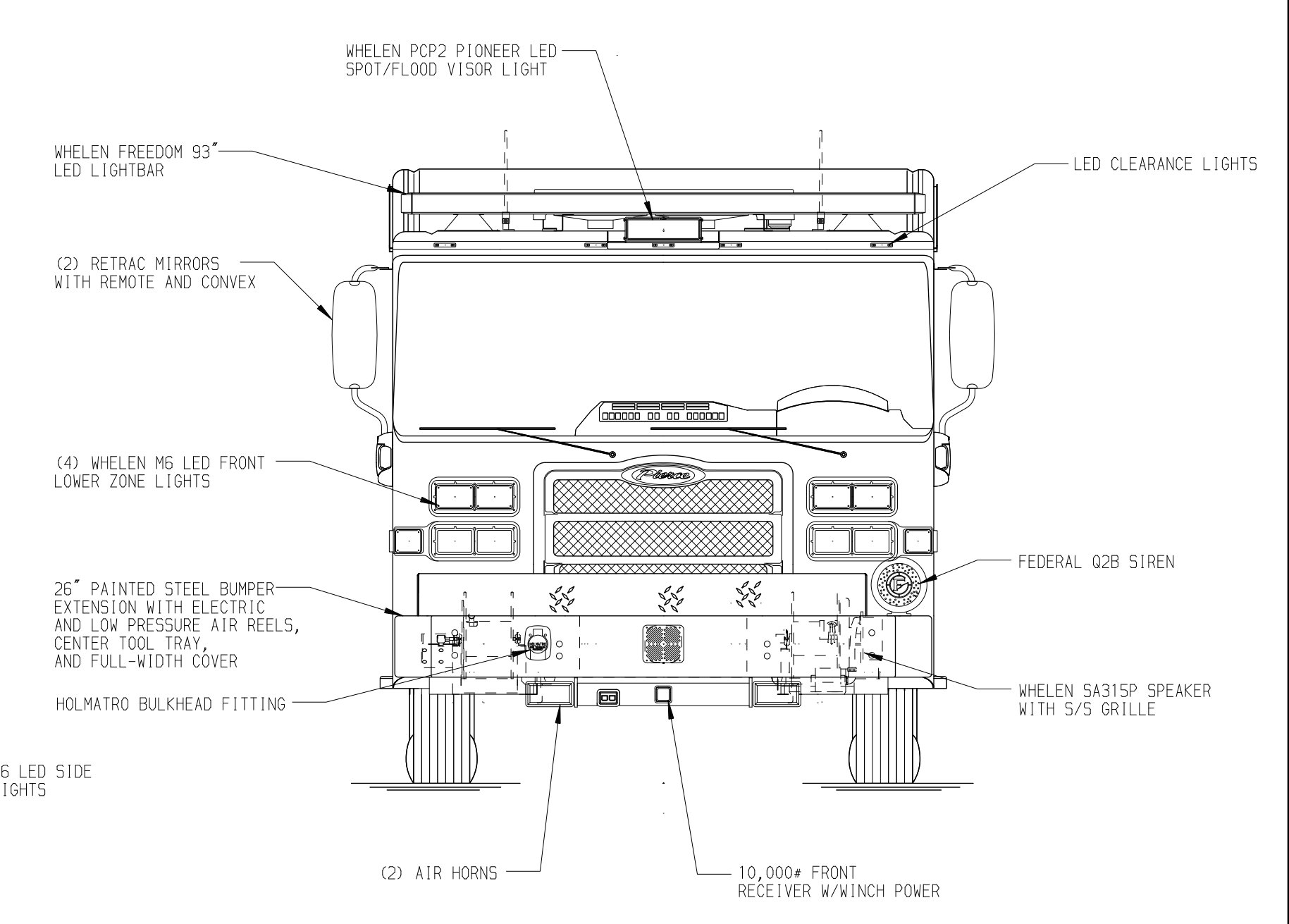
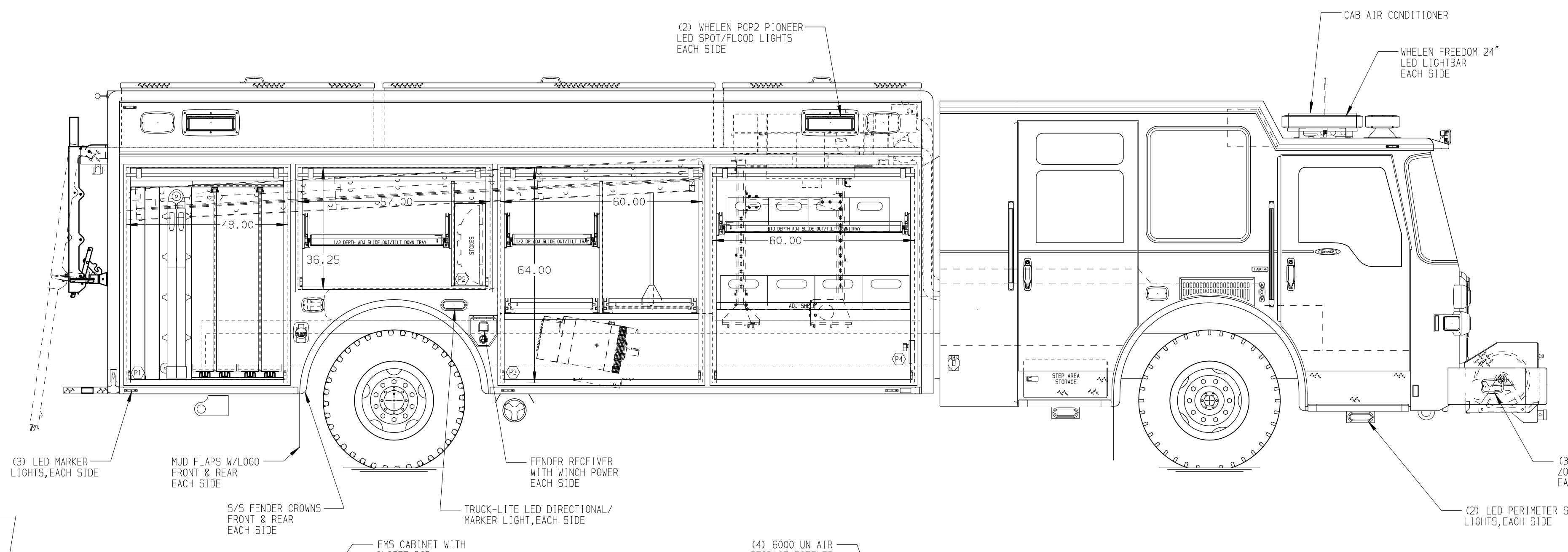
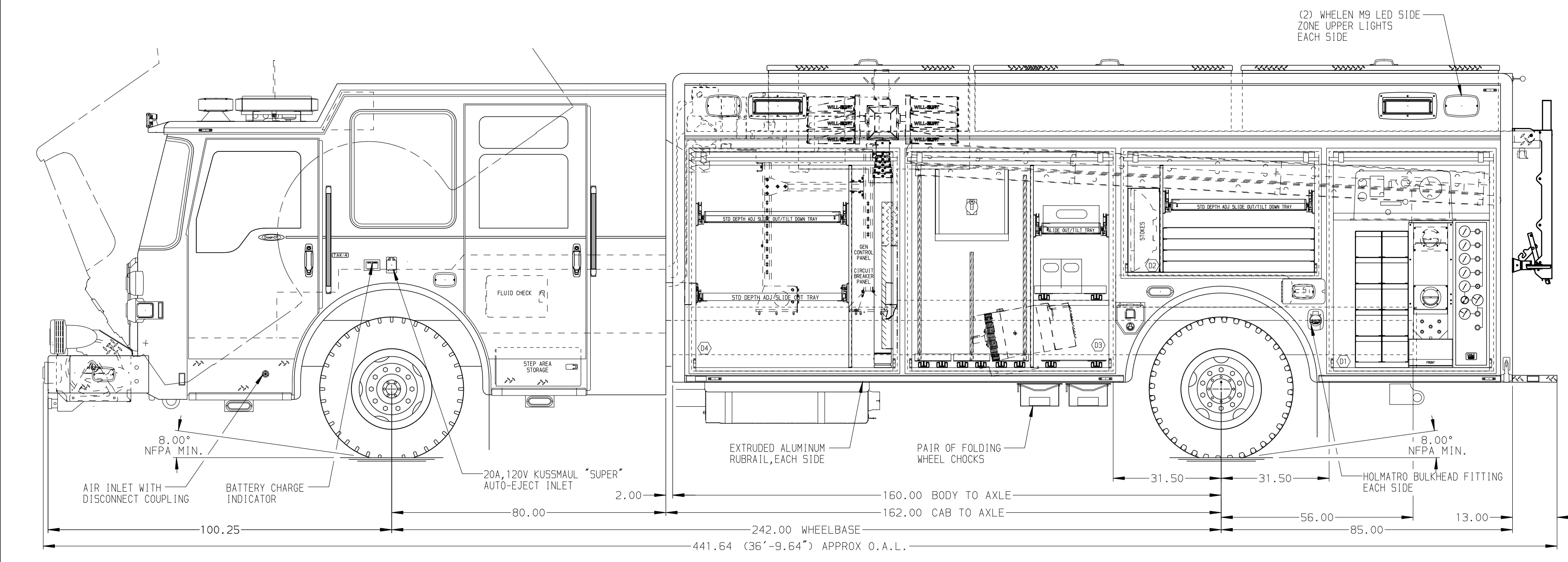


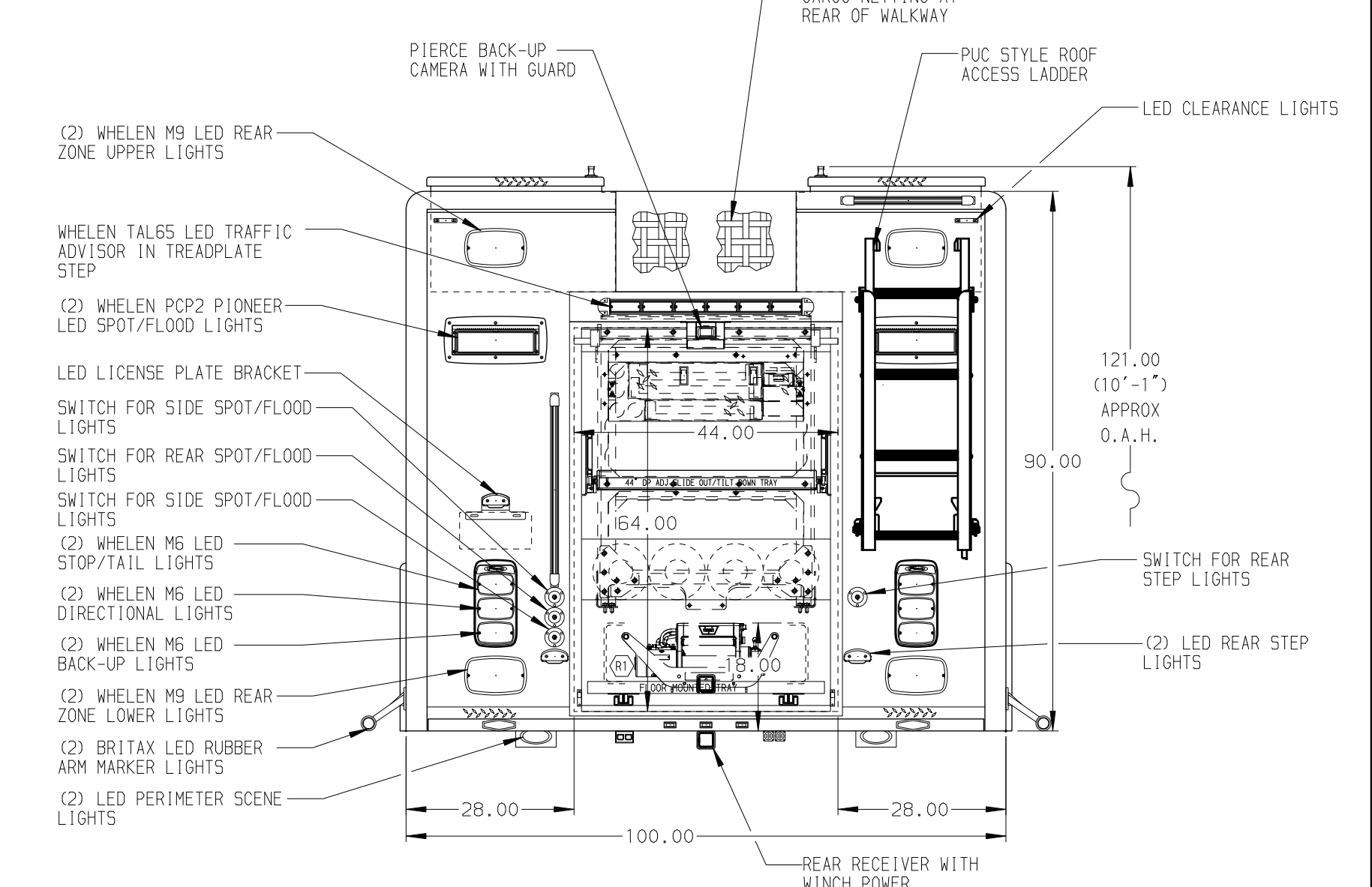
- PASSENGER'S SIDE COMPARTMENTS CONTAIN THE FOLLOWING:**
- COMPARTMENT P1 CONTAINS:**
- (2) STORAGE TROUGHS FOR STRUTS
  - (2) FLOOR MOUNTED TRAYS W/TOOLBOARDS
  - (1) RACK FOR LITTLE GIANT LADDER
- COMPARTMENT P2 CONTAINS:**
- (1) VERTICAL COMPARTMENT DIVIDER
  - (1) STOKES BASKET RACK
  - (1) 1/2 DEPTH ADJ SLIDE OUT/TILT TRAY
- COMPARTMENT P3 CONTAINS:**
- (2) 3/4 DEPTH FLOOR MTD SLIDE OUT TRAYS
  - (1) HORIZONTAL FLOOR EXTENSION
  - (1) VERTICAL COMPARTMENT DIVIDER
  - (1) ADJ DIVIDER MOUNTED IN TRAY
  - (1) 1/2 DEPTH ADJ SLIDE OUT/TILT TRAY
- COMPARTMENT P4 CONTAINS:**
- (1) CAB LIFT CONTROLLER
  - (8) POLY TOOL BOXES
  - (1) STD DEPTH ADJ SHELF
  - (1) STD DEPTH ADJ SLIDE OUT TILT TRAY



- REAR COMPARTMENT CONTAINS THE FOLLOWING:**
- COMPARTMENT R1 CONTAINS:**
- (1) ADJUSTABLE SLIDE OUT TILT TRAY
  - (1) FLOOR MOUNTED TRAY WITH RECEIVER FOR WINCH STORAGE
  - (1) RACK FOR THE FOLLOWING:
    - (1) 24\"/>
  - (1) 14\"/>
  - (1) 10\"/>
  - (4) PIKE POLES
  - (2) \"/>



- DRIVER'S SIDE COMPARTMENTS CONTAIN THE FOLLOWING:**
- COMPARTMENT D1 CONTAINS:**
- (1) \"/>
  - (1) CASCADE SYSTEM CONTROL PANEL
  - (1) STD DEPTH ADJ SHELF
  - (1) BREATHING AIR BOOSTER PUMP
  - (1) RACK FOR 10 SCBA BOTTLES
- COMPARTMENT D2 CONTAINS:**
- (1) VERTICAL COMPARTMENT DIVIDER
  - (1) RACK FOR 4 AIR BAGS
  - (1) STD DEPTH ADJ SLIDE OUT/TILT TRAY
  - (1) STOKES BASKET RACK
- COMPARTMENT D3 CONTAINS:**
- (1) GUSSETED SHELF FOR HYD PWR UNIT
  - (1) VERTICAL COMPARTMENT DIVIDER
  - (1) HORIZONTAL COMPARTMENT DIVIDER
  - (3) POLY TOOL BOXES
  - (1) FLAT TOP FLOOR MOUNTED TRAY
  - (3) FLOOR MOUNTED TRAYS W/TOOLBOARDS
  - (1) FLOOR MOUNTED TRAY
  - (1) 20A, 240V T.L. RECEPTACLE
  - (1) STD DEPTH ADJ SLIDE OUT/TILT TRAY
  - (1) VERTICAL REAR WALL DIVIDER
- COMPARTMENT D4 CONTAINS:**
- (1) CIRCUIT BREAKER PANEL
  - (1) GENERATOR METER PANEL
  - (1) LIGHT TOWER CONTROLLER
  - (1) VERTICAL COMPARTMENT DIVIDER
  - (1) STD DEPTH ADJ SLIDE OUT TRAY
  - (1) STD DEPTH ADJ SLIDE OUT/TILT TRAY



**NOTE**  
DIMENSIONS SHOWN ARE APPROXIMATE AND ARE SUBJECT TO MINOR DEVIATIONS AS MAY OCCUR OR BE NECESSARY IN CONSTRUCTION. MINOR DETAILS NOT SHOWN.

- NOTES:**
- ONSPOT AUTOMATIC TIRE CHAINS
  - WARN 9,000# PORTABLE RECEIVER STYLE WINCH
  - FLOOR IN CAB AND CREW CAB TO BE PADDED RUBBER
  - FIRECOM 5 POSITION INTERCOM SYSTEM
  - KUSSMAUL 12 HO CHARGER LOCATED UNDER CENTER CONSOLE
  - PIERCE DUEL LED STRIP LIGHTS IN EACH BODY COMPARTMENT
  - ONAN 30kW SINGLE PHASE PTO DRIVEN GENERATOR LOCATED BETWEEN THE FRAME RAILS

(SIDE ROLL & FRONTAL IMPACT PROTECTION)

CLEAR DOOR WIDTH KEY		REV	DATE	BY	CH
AMOR ROLL UP DOORS:	-1 7/8"				
CORTITE ROLL UP DOORS:	-2 3/4"				
PIERCE DOUBLE LIP DOORS:	-4 1/4"	09MAR16	CCA	CDK	
PIERCE LIFT-UP LAP DOORS:	-1 1/2"	21JAN16	DHE	CDK	
(EX: 60" F-F - 1 7/8" = 58 1/8" CLEAR)		26OCT15	DHE	AZU	
(F-F) = FRAME TO FRAME					

		JOB NO.	29022
		SCALE	DATE
TITLE	HEAVY DUTY RESCUE NON-WALKIN	DRAWN BY	DHE
FOR	CITY OF CLEVELAND CLEVELAND, TN	CHECKED BY	CDK
DWG NO.	29022AD	SHEET SIZE	SHEET NO.
		D	1 OF 1