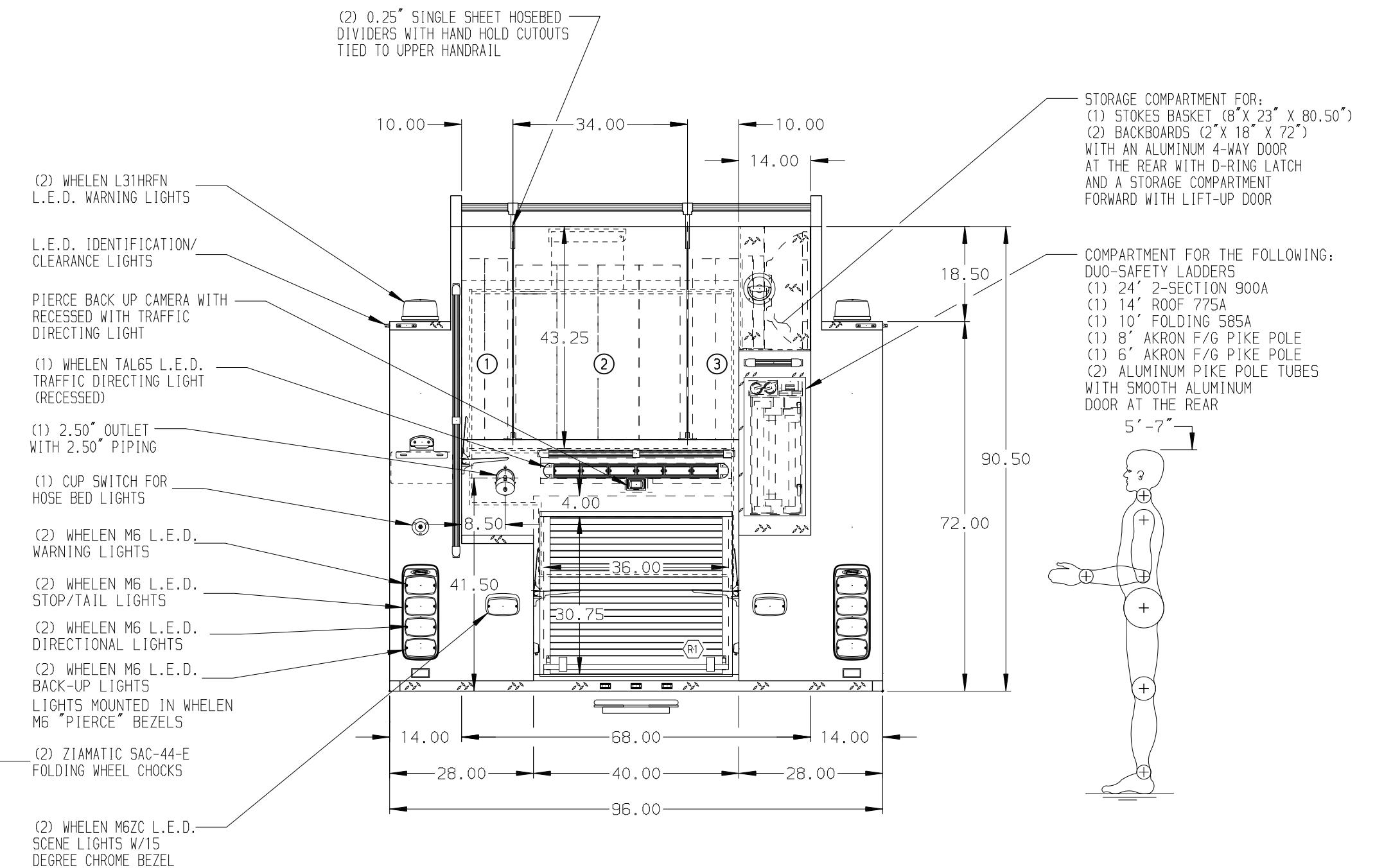


- HOSEBED CAPACITIES
- ① 500' OF 2.50" D.J. HOSE
  - ② 1000' OF 5.00" D.J. HOSE
  - ③ 500' OF 2.50" D.J. HOSE



ALUMINUM BODY

SIDE ROLL & FRONTAL IMPACT PROTECTION

**NOTE**  
DIMENSIONS SHOWN ARE APPROXIMATE AND ARE SUBJECT TO MINOR DEVIATIONS AS MAY OCCUR OR BE NECESSARY IN CONSTRUCTION. MINOR DETAILS NOT SHOWN.

1. ALUMINUM TREADPLATE EXTERIOR REAR WALL OF CAB
2. MOUNTING BASE FOR ANTENNA LOCATED PER SHOP ORDER
3. BATTERY CHARGER LOCATED IN CREW CAB SEAT RISER
4. PERIMETER SCENE LIGHTS LOCATED PER SHOP ORDER
5. AMOR LUMBAR H20 AY-9500-040 40.00" L.E.D. FRONT HOSE BED LIGHT
6. S/STL PROTECTIVE GUARD FOR ALL ROLL-UP DOORS
7. AMOR L.E.D. COMPARTMENT DUAL LIGHT STRIPS LOCATED PER SHOP ORDER
8. PAINTED SHELF TRACKS LOCATED IN COMPARTMENT D1, D2, D3, P1, P2 & P3
9. ONE FULL WIDTH/DEPTH PAINTED ADJUSTABLE SHELF IN COMPARTMENT D1, D2, D3, P1, P2 & P3
10. ONE ADJUSTABLE SLIDE-OUT TRAY IN COMPARTMENT D1, D3, P1 & P3

11. PIERCE LOGO MUDFLAPS FRONT AND REAR
12. STAINLESS STEEL FENDER CROWS FRONT AND REAR
13. AMOR LUMBAR L.E.D. HOSEBED LIGHT LOCATED UNDER CROSS DIVIDER FLANGE
14. MOUNTING PROVISIONS FOR FRONT INLET
15. PLUMBING FOR FUTURE FOAM SYSTEMS PER SHOP ORDER
16. MOUNTING PROVISIONS FOR WILL-BURT NIGHT SCAN POWERLITE LOCATED PER SHOP ORDER
17. PIERCE POLYUREA COATINGS ON TOP OF BUMPER FLANGE
18. S/STL SCUFFPLATE ON EACH CAB DOOR JAMB

REV	DATE	BY	CH	MODEL
120CT15	DDO	THS		PIERCE
				ARROW-XT

Pierce MANUFACTURING INC.		JOB NO.	29119
		SCALE	1:24
		DATE	
TITLE	1500-D-750P W/20 GAL FOAM CELL, 152" FH FDLER BODY (3) XLAYS, LADDERS BESIDE TANK, DELUGE, A/C	DRAWN BY	DDO
FOR	PIERCE FIELD UNIT APPLETON, WISCONSIN	CHECKED BY	KBO
DWG NO.	29119AD	SHEET SIZE	D
		SHEET NO.	1 OF 1