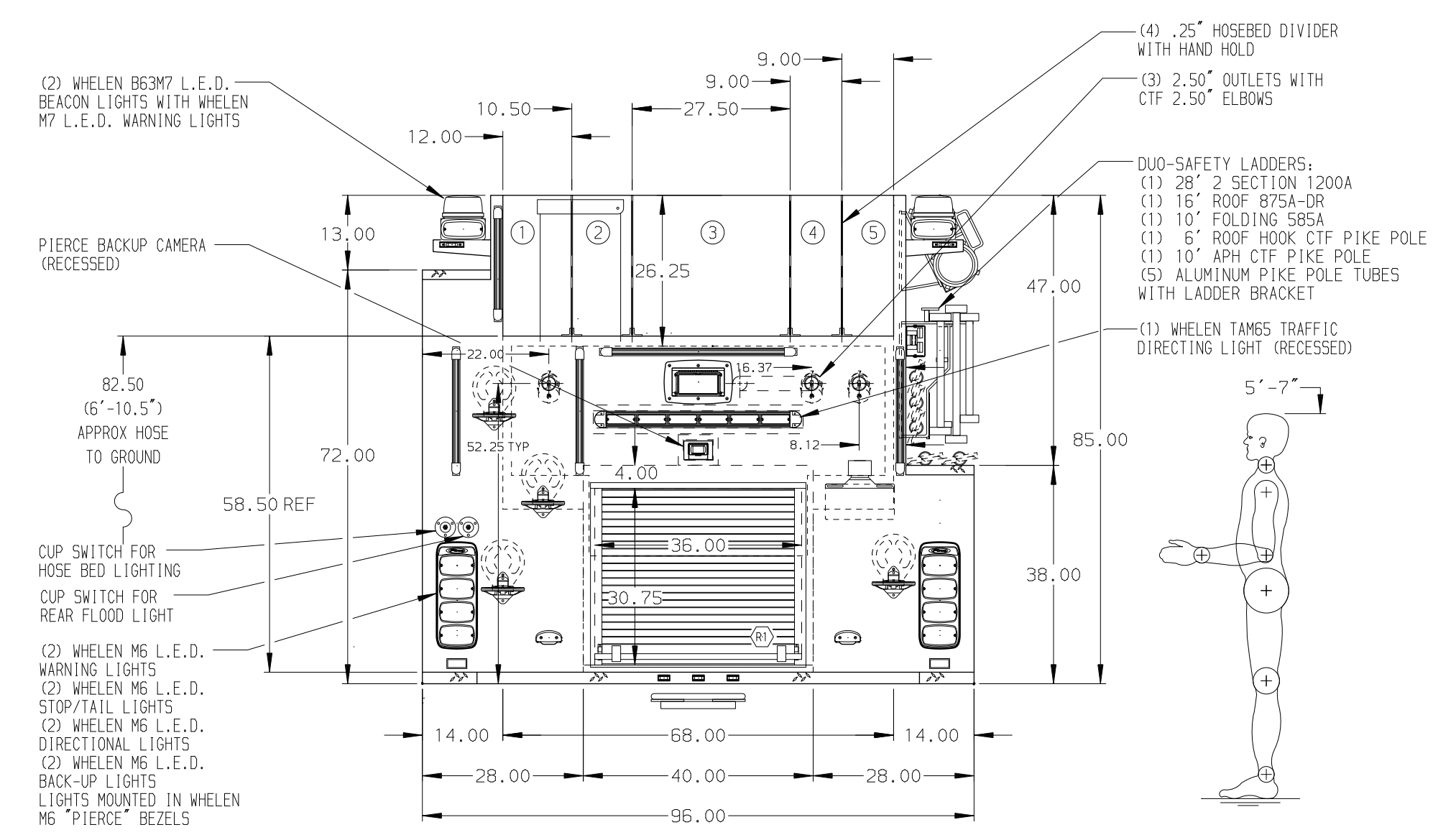


- HOSEBED CAPACITIES**
- ① 500' OF 3.00\"/>



ALUMINUM BODY

SIDE ROLL AND FRONTAL IMPACT PROTECTION

NOTE
 DIMENSIONS SHOWN ARE APPROXIMATE AND ARE SUBJECT TO MINOR DEVIATIONS AS MAY OCCUR OR BE NECESSARY IN CONSTRUCTION. MINOR DETAILS NOT SHOWN.

1. ONSPOT AUTOMATIC TIRE CHAINS TO BE PROVIDED AT REAR
2. BATTERY CHARGER LOCATED BEHIND DRIVER'S SEAT
3. BATTERY CHARGE INDICATOR LOCATED IN THE STEPWELL
4. ONE L.E.D. LIGHT STRIP LOCATED ON EACH SIDE IN THE HOSEBED
5. ONE FLOOR MOUNTED SLIDE-OUT TRAY IN COMPARTMENTS D1, P1, AND R1
6. PERBOARD ON THE REAR WALL OF COMPARTMENTS D1, D2, AND D3
7. PARTITION BETWEEN COMPARTMENTS D1/R1 AND P1/R1
8. AIR INLET/OUTLET WITH DISCONNECT FITTING IN THE STEPWELL

REV	DATE	BY	CH	ARROW	XT
▽	08APR16	TES			
▽	08MAR16	TES	JJR		
▽	16NOV15	TES	WKL		

		JOB NO.	29506
		SCALE	DATE
TITLE	1500-D-1000P, 161 FH FDLR DS, LOW FDLR PS		
FOR	(2) HSH, DELUGE, BOOSTER REEL, LADDERS ON SIDE SHEET		
MAKE	STRASBURG FIRE DEPARTMENT		
MODEL	STRASBURG, VIRGINIA		
DWG NO.	29506AD		
DRAWN BY	TES	CHECKED BY	WKL
SHEET SIZE	D	SHEET NO.	1 OF 1