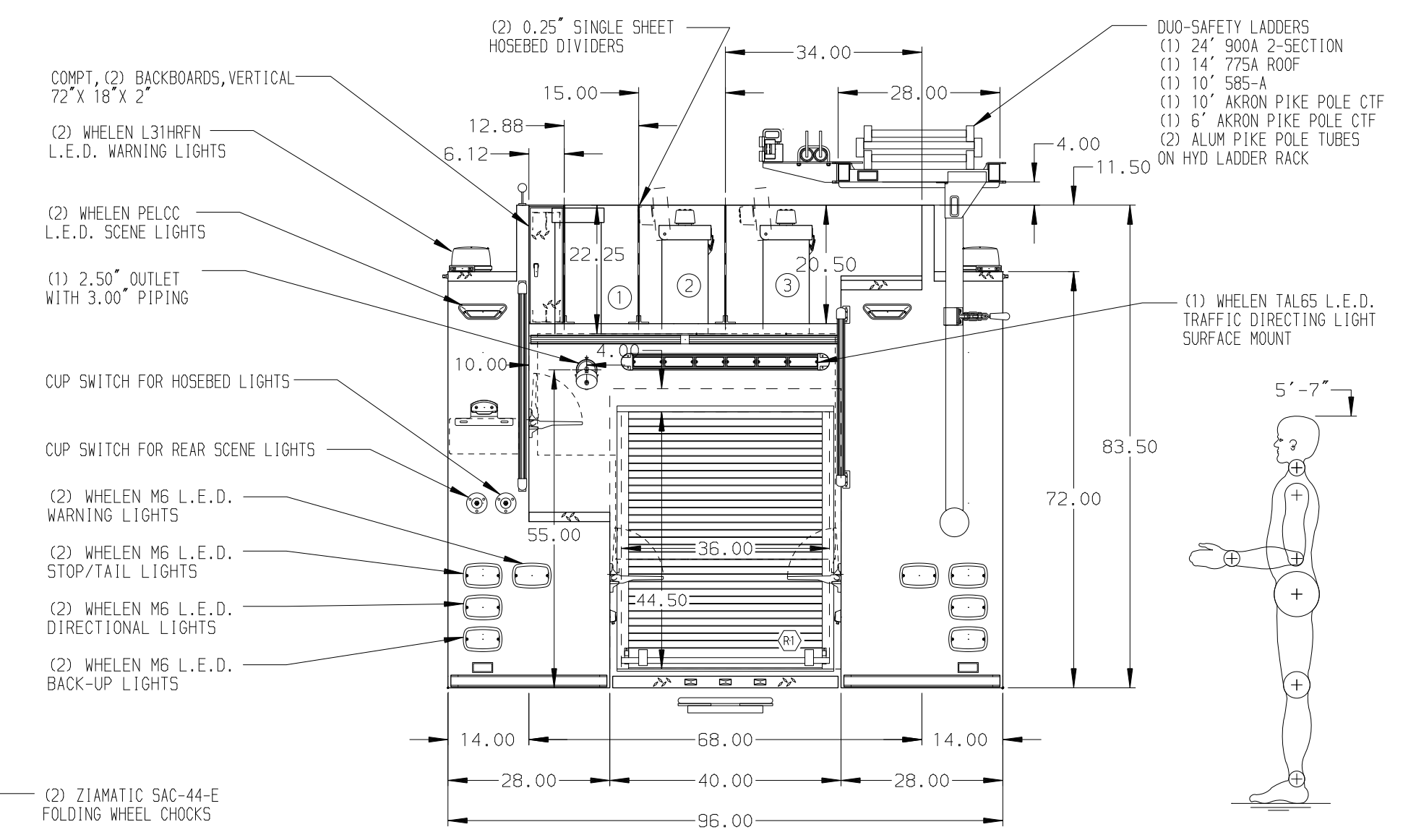
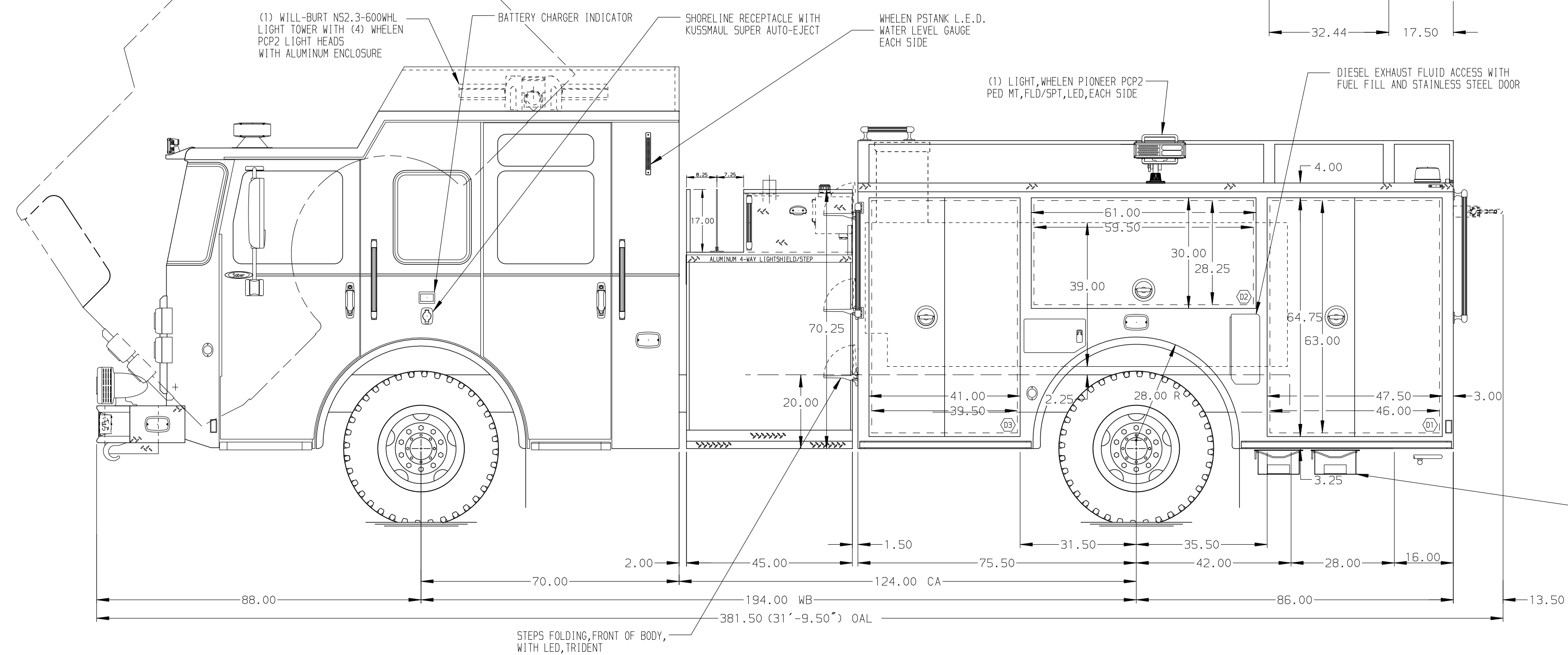


- HOSEBED CAPACITIES
- ① 300' OF 2.50" D.J. POLY HOSE
 - ② 300' OF 2.50" D.J. POLY HOSE
 - ③ 1200' OF 4.00" D.J. POLY HOSE



ALUMINUM BODY

NOTE
DIMENSIONS SHOWN ARE APPROXIMATE AND ARE SUBJECT TO MINOR DEVIATIONS AS MAY OCCUR OR BE NECESSARY IN CONSTRUCTION. MINOR DETAILS NOT SHOWN.

		JOB NO.	29691
		SCALE	DATE
TITLE 1250-D-750P, 20&30 FOAM, 161" BODY, DS FDLER, PS FH&D F&R (2) XLAYS, DELUGE, HUSKY 12 FOAM SYS, HYD LADDER RACK		DRAWN BY	TES
FOR DELAND FIRE DEPARTMENT DELAND, FLORIDA		CHECKED BY	KBO
DWG NO. 29691AD		SHEET SIZE	SHEET NO.
		D	1 OF 1

REV	DATE	BY	CH	SABER FR
22APR16	JLA	RW1		CHASSIS DATA
24FEB16	JLA	GSC		MAKE
27JAN16	JLA	GSC		PIERCE
08DEC15	TES	KBO		MODEL