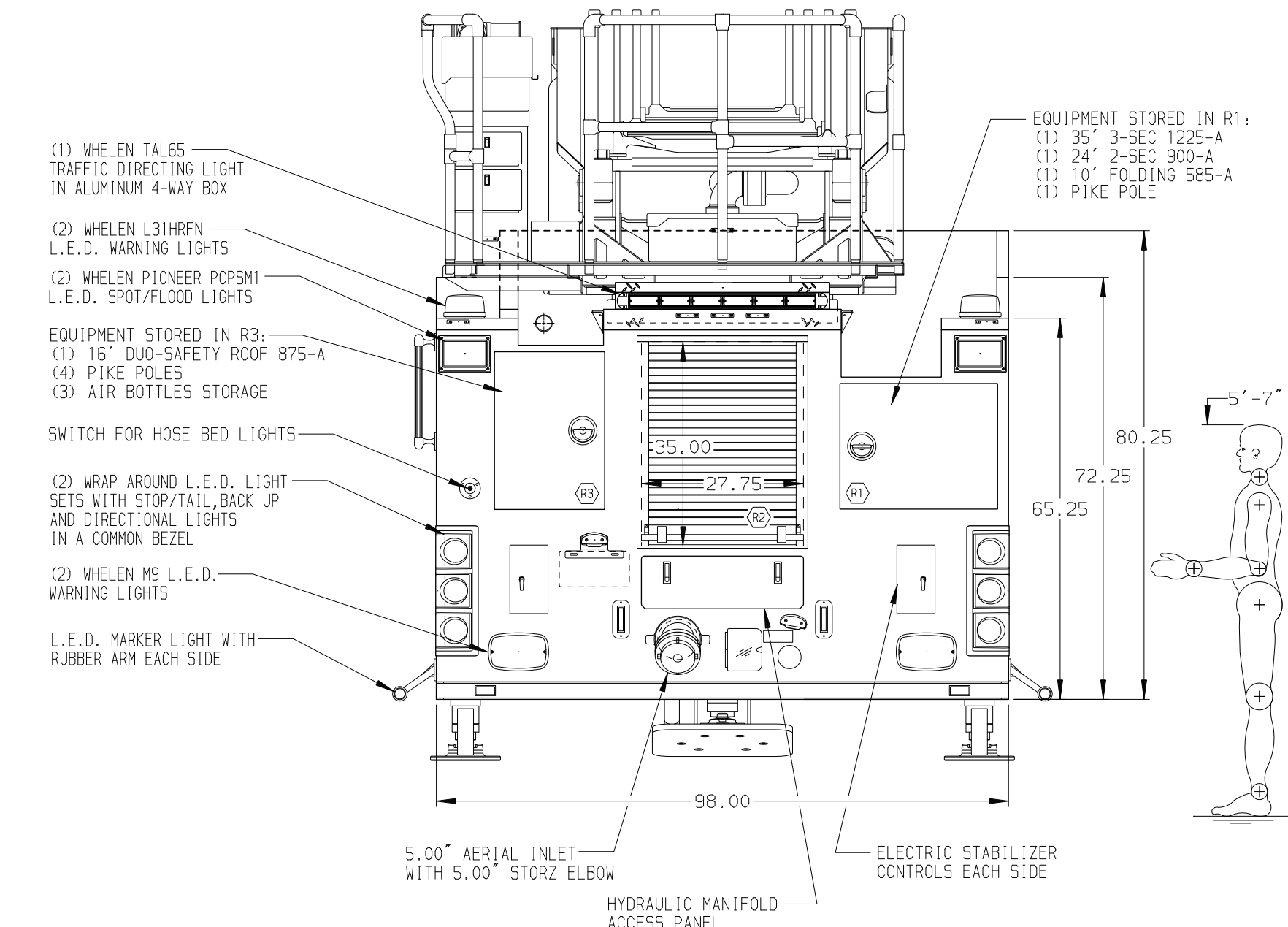
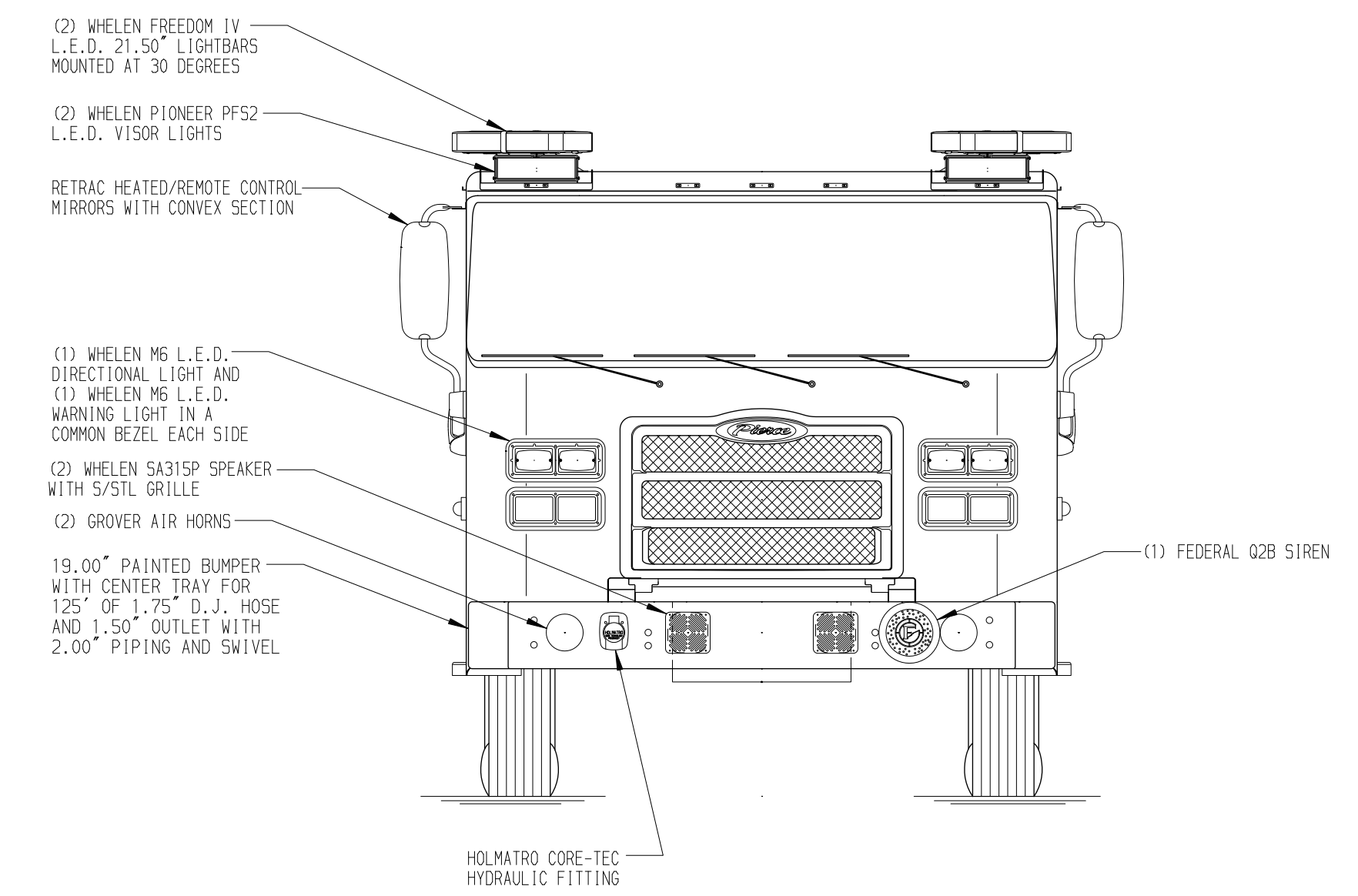


ALUMINUM BODY SIDE ROLL & FRONTAL IMPACT PROTECTION

NOTE
DIMENSIONS SHOWN ARE APPROXIMATE AND ARE SUBJECT TO MINOR DEVIATIONS AS MAY OCCUR OR BE NECESSARY IN CONSTRUCTION. MINOR DETAILS NOT SHOWN.

- BATTERY CHARGER LOCATED BEHIND DRIVER SEAT
- ONE ADJUSTABLE FULL WIDTH/FULL DEPTH SHELF IN COMPARTMENTS D1,D3,R2
- ONE ADJUSTABLE SLIDE-OUT TRAY IN COMPARTMENT D3
- ONE FLOOR MOUNTED SLIDE-OUT TRAY WITH 2" SIDES IN COMPARTMENTS D1,D3,TWO IN P3
- ONE ADJUSTABLE TOOL BOARD MOUNTED TO EACH SLIDE-OUT TRAY IN COMPARTMENT P3
- ONE ZIAMATIC SCBA HOLDER BRACKET LOCATED EACH SIDE OF EMS COMPARTMENT
- CIRCUIT BREAKER PANEL IN COMPARTMENT D3
- ONE HANNAY ELECTRIC REWIND CORD REEL MODEL 1618-17-18 WITH 200' OF 10/3 CORD AND CAPTIVE ROLLER ASSEMBLY IN COMPARTMENT P3
- 2-WAY INTERCOM SYSTEM BETWEEN AERIAL TIP AND TURNTABLE
- L.E.D. LIGHTING ON AERIAL LADDER SECTIONS
- LIFTING EYE ROPE RESCUE ATTACHMENT AT AERIAL TIP
- POLY MOUNTING BOARD IN COMPARTMENT D3
- DUAL L.E.D. LIGHT STRIPS LOCATED IN HOSE BED



		JOB NO.	30537
		SCALE	DATE
Pierce MANUFACTURING INC.		TITLE	107' ASCENDANT AERIAL LADDER AND BODY ASSEMBLY
		FOR	CITY OF CLEVELAND
		DWG NO.	30537AD
		CHECKED BY	CRI
		SHEET NO.	1 OF 1
		DRAWN BY	SHU
		DATE	25JAN17
		BY	JGO
		CH	GRM
		ENFORCER	
		MAKE	PIERCE
		MODEL	
		DATE	17FEB17
		BY	SHU
		CH	JGO
		DATE	07APR17
		BY	SHU
		CH	JGO
		DATE	03MAY17
		BY	SHU
		CH	JGO