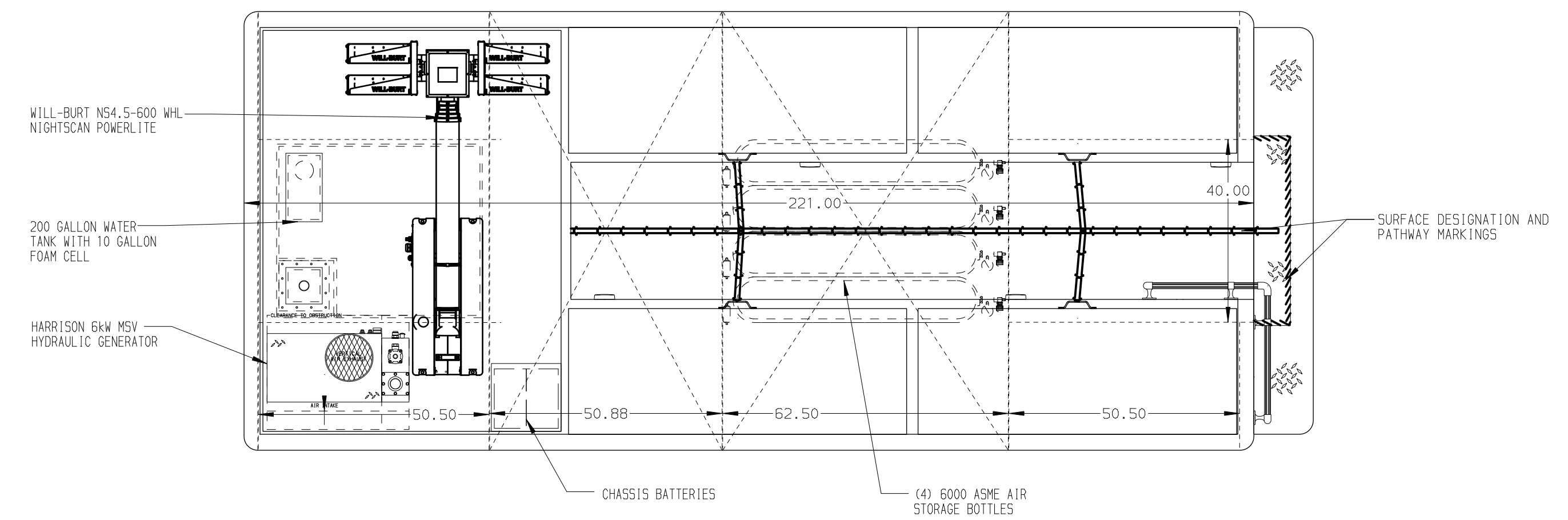
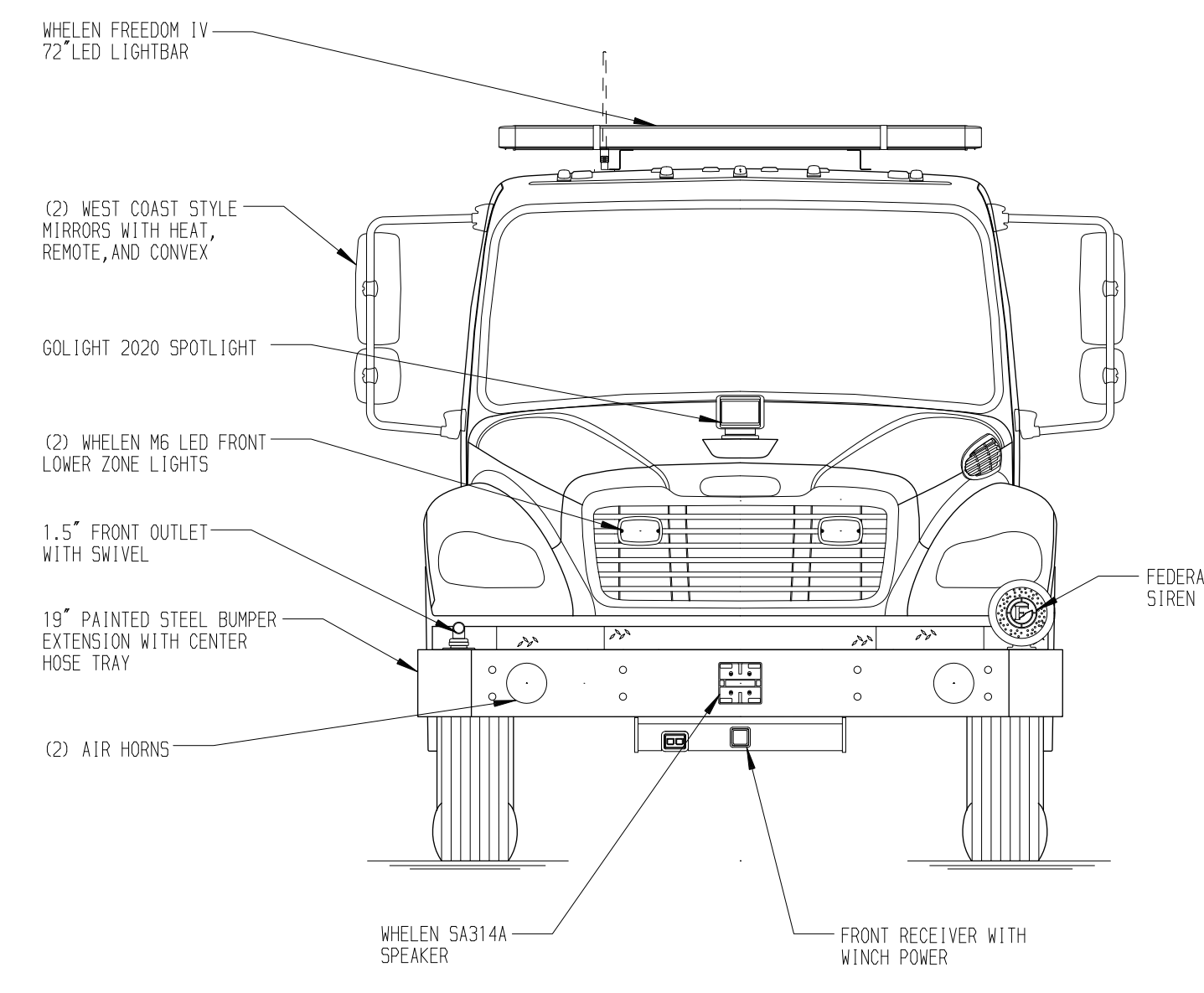
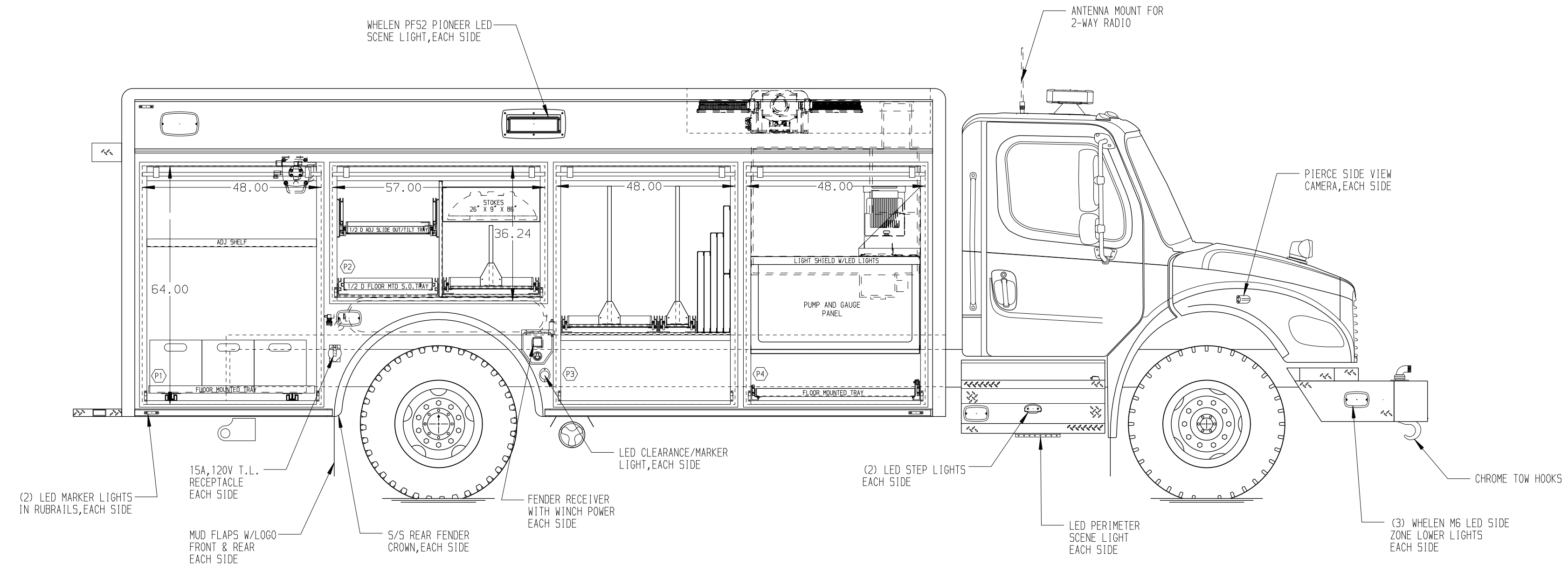
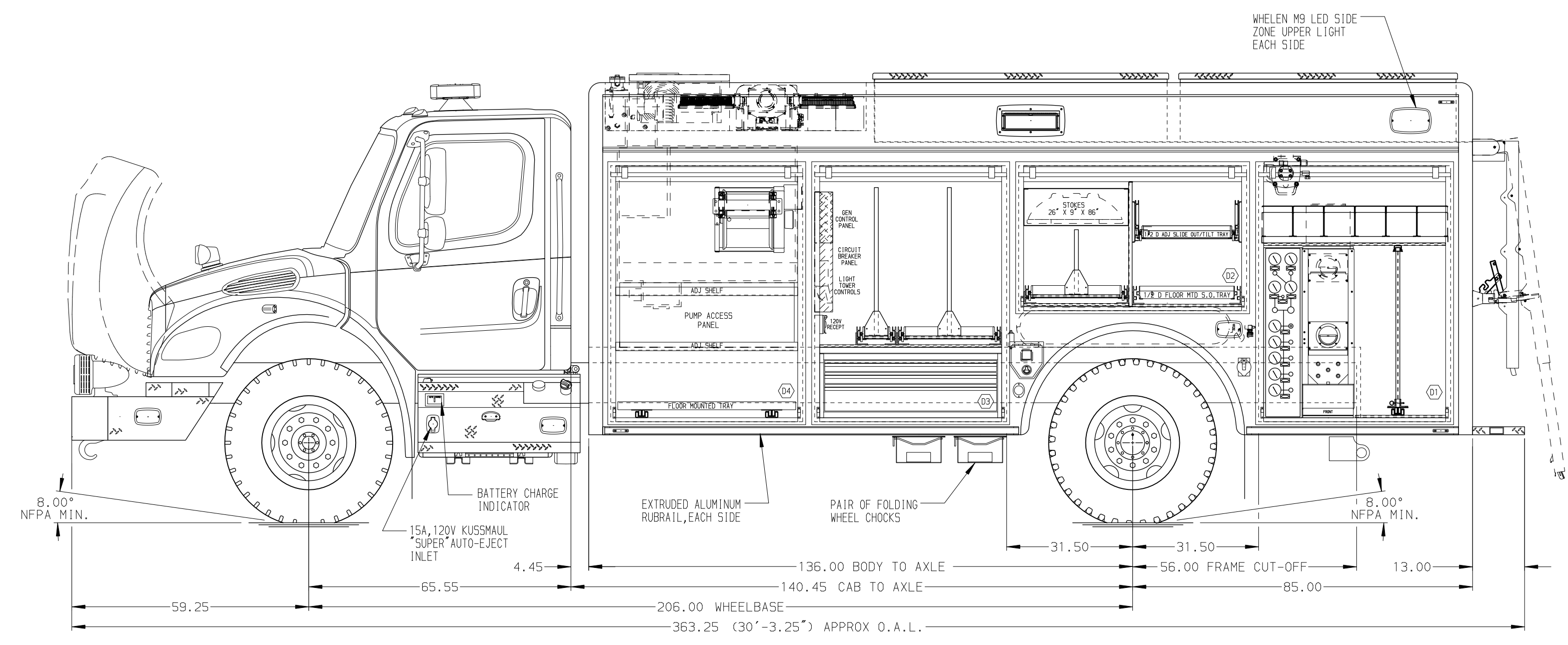


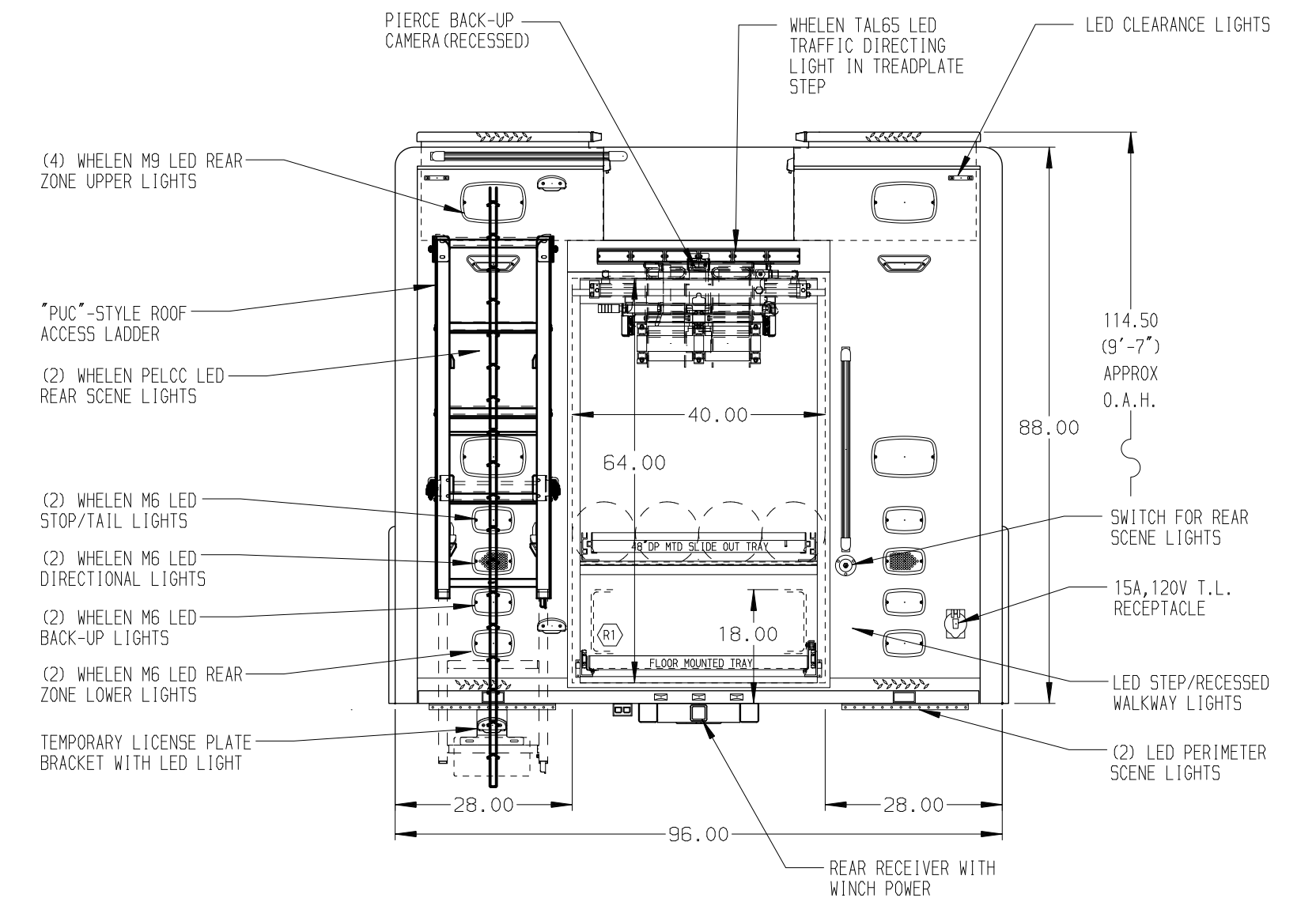
- PASSENGER'S SIDE COMPARTMENTS CONTAIN THE FOLLOWING:**
- COMPARTMENT P1 CONTAINS:  
 - (1) FLOOR MOUNTED TRAY  
 - (1) STD DEPTH ADJ. SHELF  
 - (3) POLY TOOL BOXES  
 -  
 -
- COMPARTMENT P2 CONTAINS:  
 - (1) STOKES BASKET RACK  
 - (1) VERTICAL COMPARTMENT DIVIDER  
 - (1) 1/2 DEPTH ADJ. SLIDE OUT/TILT TRAY  
 - (1) 1/2 DEPTH FLOOR MOUNTED TRAY  
 - (1) 2-WAY ADJ. SLIDE OUT TOOLBOARD  
 -  
 -
- COMPARTMENT P3 CONTAINS:  
 - (1) RACK FOR 6 AIR BAGS  
 - (1) HORIZONTAL FLOOR EXTENSION  
 - (2) 2-WAY SLIDE OUT TOOLBOARDS  
 -  
 -
- COMPARTMENT P4 CONTAINS:  
 - (1) FLOOR MOUNTED TRAY  
 - (1) HUSKY 3 FOAM SYSTEM  
 - (1) FLOOR MOUNTED TRAY W/SIDE SLIDES  
 -  
 -



- REAR COMPARTMENT CONTAINS THE FOLLOWING:**
- COMPARTMENT R1 CONTAINS:  
 - (1) CMW DUAL HYDRAULIC REEL W/CAPACITY FOR 100' OF HOSE EACH  
 - (1) SLIDE OUT ROLLER GUIDE  
 - (1) HORIZONTAL FLOOR EXTENSION  
 - (1) FLOOR MOUNTED TRAY W/SIDE SLIDES  
 - (1) 48" DP FLOOR MOUNTED SLIDE OUT TRAY  
 - (1) HASKEL BREATHING AIR BOOSTER PUMP  
 -  
 -



- DRIVER'S SIDE COMPARTMENTS CONTAIN THE FOLLOWING:**
- COMPARTMENT D1 CONTAINS:  
 - (1) RACK FOR 6 SCBA BOTTLES  
 - (1) CASCADE SYSTEM CONTROL PANEL  
 - (1) "SPACE SAVER" 2-BOTTLE FILL ENCLOSURE  
 - (1) STD DEPTH ADJ. SLIDE OUT TOOLBOARD  
 -  
 -
- COMPARTMENT D2 CONTAINS:  
 - (1) STOKES BASKET RACK  
 - (1) VERTICAL COMPARTMENT DIVIDER  
 - (1) 1/2 DEPTH ADJ. SLIDE OUT/TILT TRAY  
 - (1) 1/2 DEPTH FLOOR MOUNTED TRAY  
 - (1) 2-WAY ADJ. SLIDE OUT TOOLBOARD  
 -  
 -
- COMPARTMENT D3 CONTAINS:  
 - (1) HORIZONTAL FLOOR EXTENSION  
 - (1) CIRCUIT BREAKER PANEL  
 - (1) GENERATOR METER PANEL  
 - (1) NIGHT SCAN CONTROLLER  
 - (2) 2-WAY SLIDE OUT TOOLBOARDS  
 - (1) 20A, 120V DUPLEX RECEPTACLE  
 - (1) 3-DRAWER C-TECH CABINET  
 - (1) KUSSMAUL PUMP PLUS 1200 CHARGER  
 - (2) STREAMLIGHT VULCAN HANDLIGHTS  
 -  
 -
- COMPARTMENT D4 CONTAINS:  
 - (1) FLOOR MOUNTED TRAY  
 - (1) AKRON CORD REEL WITH 200' OF 10-3 YELLOW CORD  
 - (2) STD DEPTH ADJ. SHELVES  
 -  
 -



**NOTE**  
 DIMENSIONS SHOWN ARE APPROXIMATE AND ARE SUBJECT TO MINOR DEVIATIONS AS MAY OCCUR OR BE NECESSARY IN CONSTRUCTION. MINOR DETAILS NOT SHOWN.

- NOTE:**
1. WATEROUS CPK-2 250 GPM WATER PUMP
  2. ONSPOT AUTOMATIC TIRE CHAINS
  3. RAMSEY QMS000 #3,000 PORTABLE RECEIVER STYLE WINCH
  4. 5/5 GUARDS ON ALL BODY ROLL-UP DOORS
  5. PIERCE DUAL LED LIGHTS IN ALL BODY AND HATCH COMPARTMENTS

MAXIMUM O.A.H. 9'-9"

CLEAR DOOR WIDTH KEY		CHASSIS DATA	TITLE	HEAVY DUTY RESCUE NON-WALKIN
AMDR ROLL UP DOORS:	-1 7/8"	30JUN17	DHE	AZU
CORTITE ROLL UP DOORS:	-2 3/4"	28MAR17	DHE	CDK
PIERCE DOUBLE LAP DOORS:	-4 1/4"	03MAR17	DHE	AZU
PIERCE LIFT-UP LAP DOORS:	-1 1/2"			
(EX: 60" F-F = 1 7/8" = 58 1/8" CLEAR)		REV	DATE	BY
			CH	

<b>Pierce MANUFACTURING INC.</b>		JOB NO.	30567
		SCALE	DATE
		DRAWN BY	21FEB17
		CHECKED BY	22FEB17
		SHEET SIZE	SHEET NO.
		D	1 OF 1

FOR EMPORIA FIRE DEPARTMENT EMPORIA, KS  
 DWG NO. 30567AD  
 ROGER BROWN