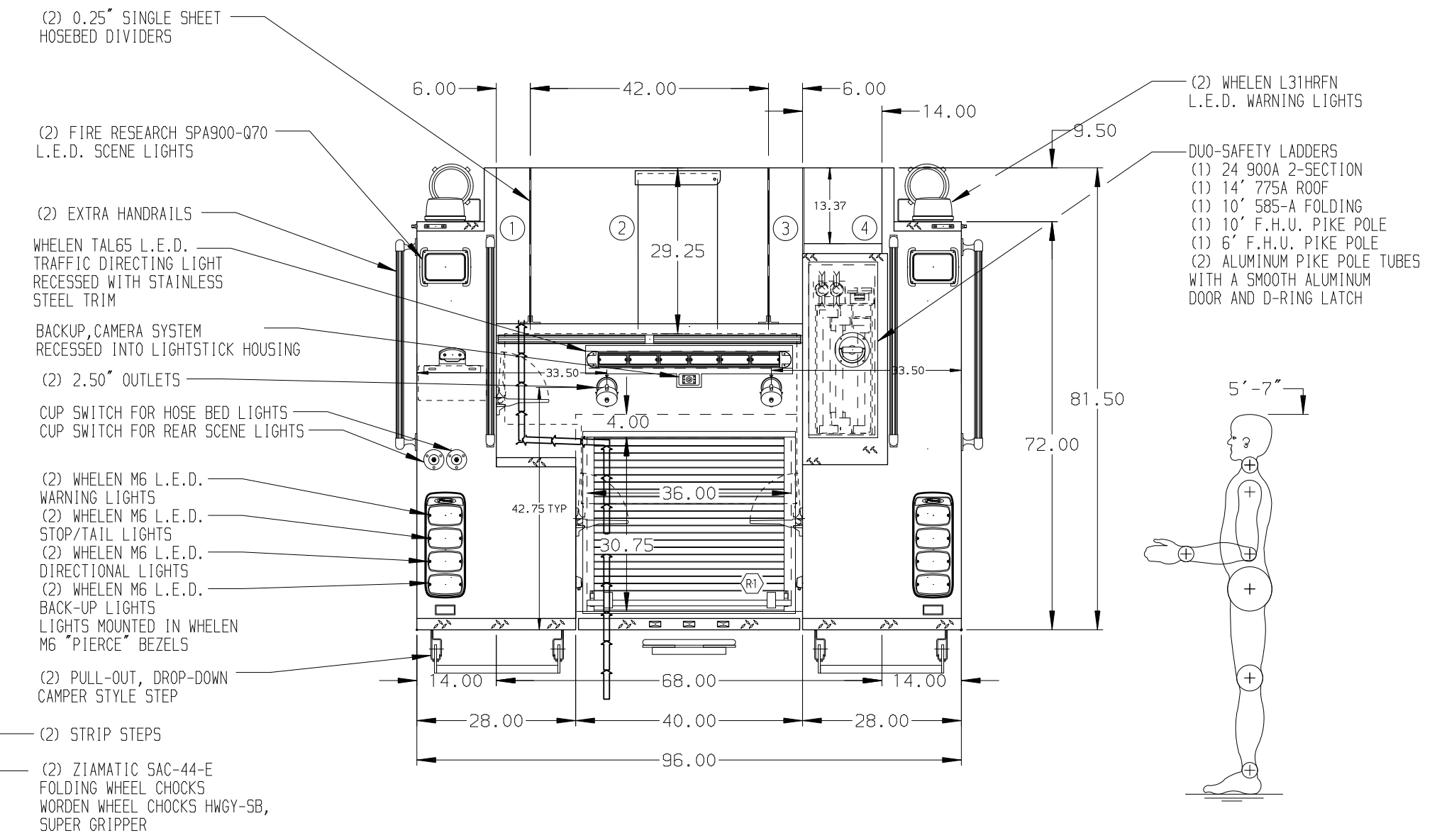
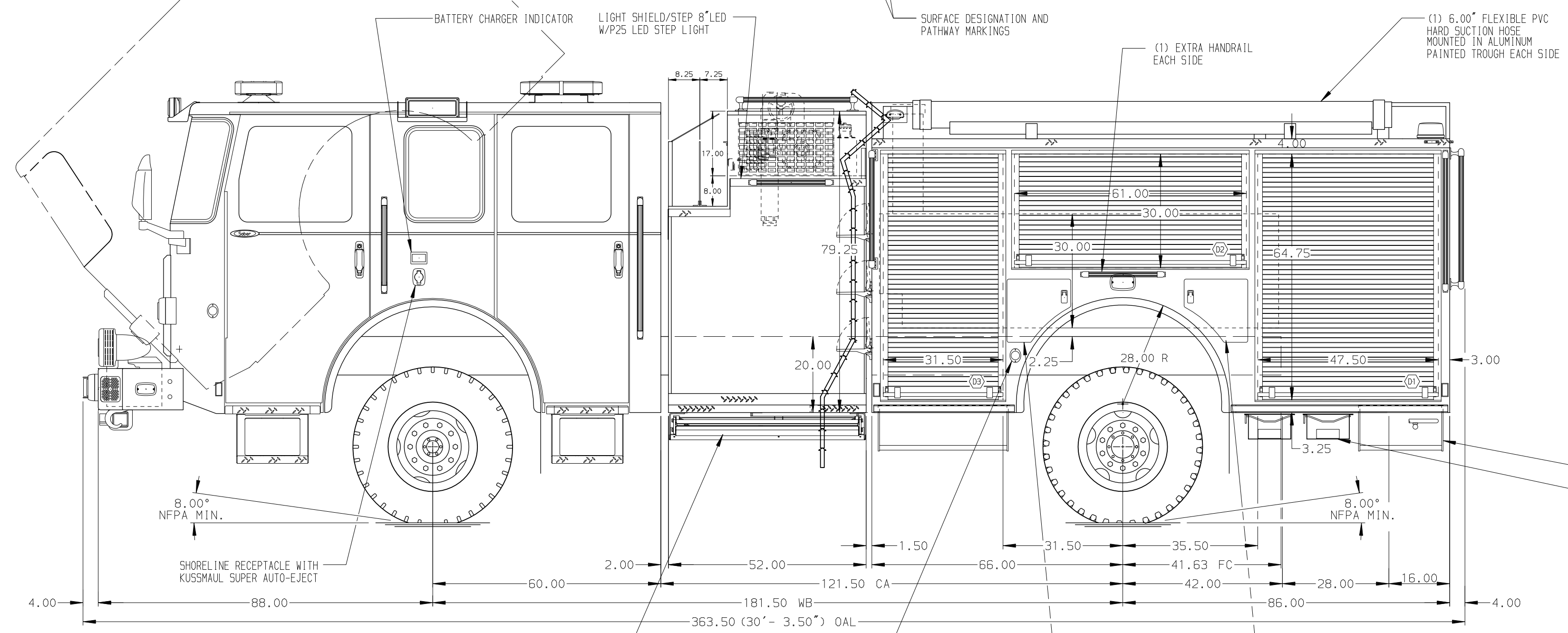


- HOSEBED CAPACITIES**
- ① 350' OF 3.00" D.J. HOSE
 - ② 1000' OF 5.00" SUPPLY HOSE
 - ③ 350' OF 3.00" D.J. HOSE
 - ④ 300' OF 3.00" D.J. HOSE



ALUMINUM BODY

MAXIMUM O.A.H. 116.00"

NOTE
DIMENSIONS SHOWN ARE APPROXIMATE AND ARE SUBJECT TO MINOR DEVIATIONS AS MAY OCCUR OR BE NECESSARY IN CONSTRUCTION. MINOR DETAILS NOT SHOWN.

25AUG17	JLA	DDR	CHASSIS DATA
05APR17	RWI	DDR	MAKE
09MAR17	JLA	DDR	PIERCE
25JAN17	CSQ	CSH	MODEL SABER FR 4X4
REV	DATE	BY	CH

		JOB NO.	30860
		SCALE	DATE
TITLE	1500-D-500 GAL POLY, 152" FH FDLER, SIDE CONTROL (2) XLAYS, LADDERS BESIDE TANK, DELUGE, GENERATOR	DRAWN BY	CSQ
FOR	CITY OF WILDWOOD WILDWOOD, NEW JERSEY	CHECKED BY	CSH
DWG NO.	30860AD	SHEET SIZE	SHEET NO.
		D	1 OF 1