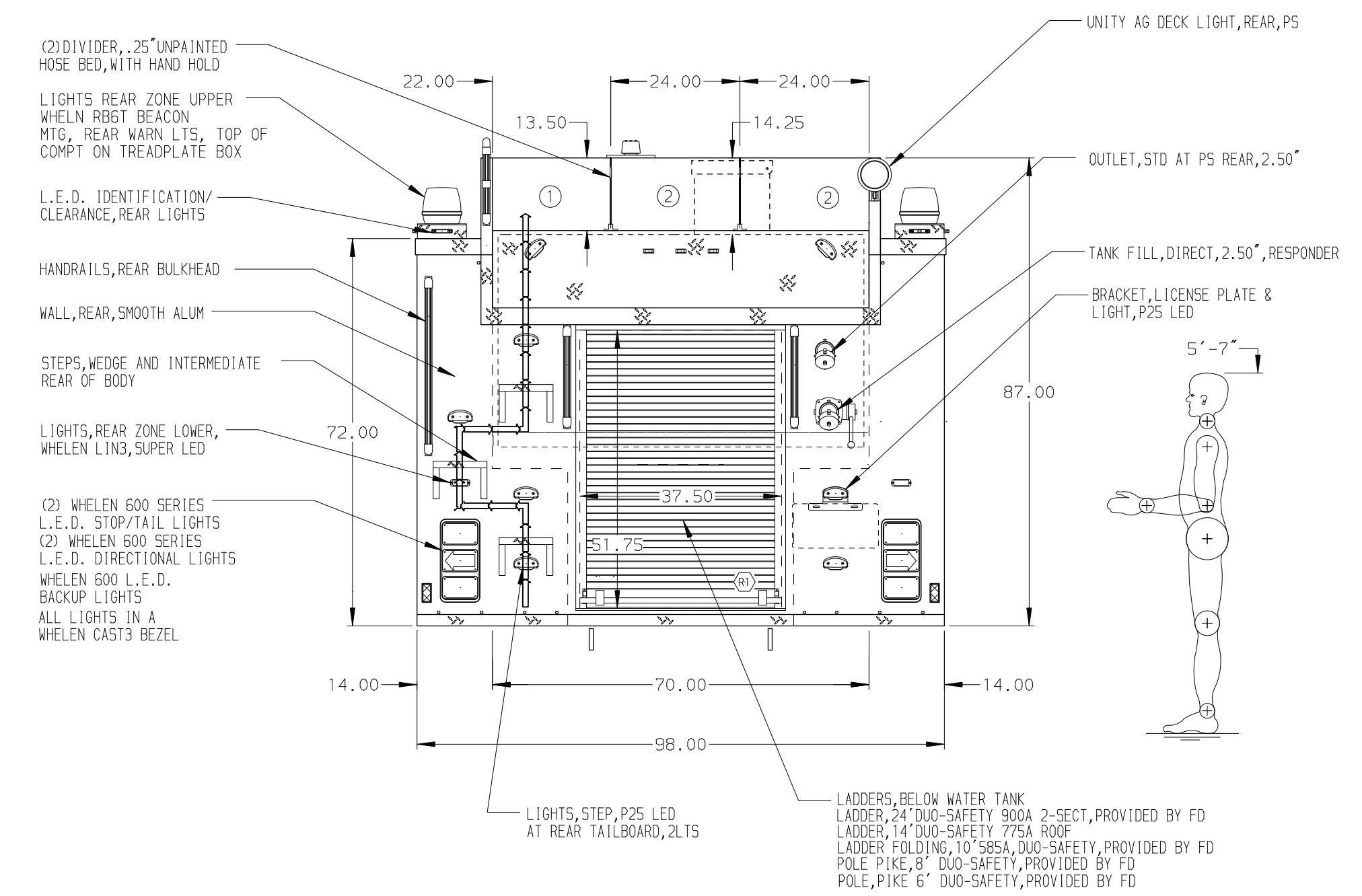
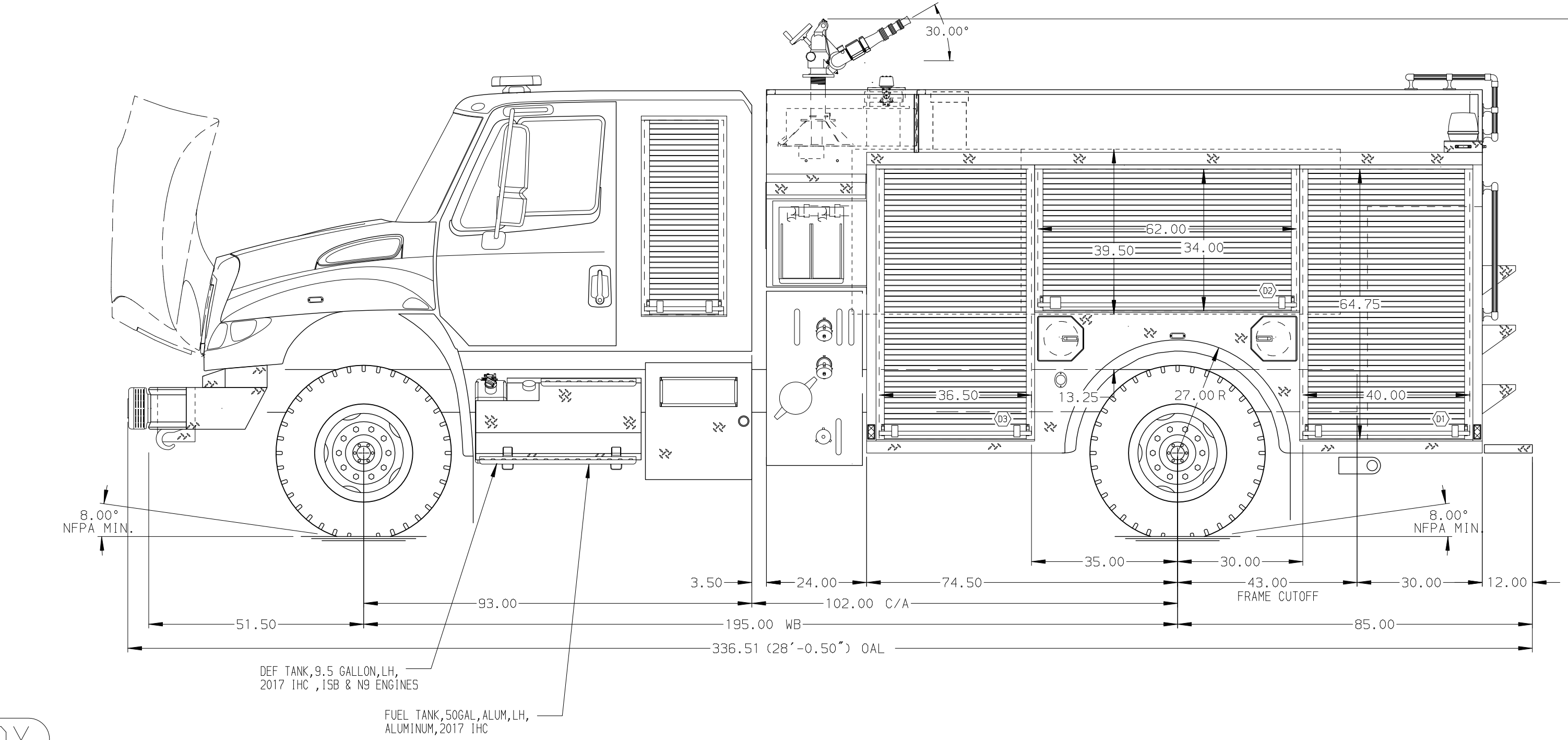


HOSEBED CAPACITIES
 ① 400' OF 1.50" D.J. RUBBER HOSE
 ② 1500' OF 2.50" D.J. POLYESTER HOSE



ALUMINUM BODY

NOTE
 DIMENSIONS SHOWN ARE APPROXIMATE AND ARE SUBJECT TO MINOR DEVIATIONS AS MAY OCCUR OR BE NECESSARY IN CONSTRUCTION. MINOR DETAILS NOT SHOWN.

REV	DATE	BY	CH	4400
07JUN17	RWI	GSC	MAKE	
27APR17	JLA	GSC	1HC	
06FEB17	JLA	RWI	MODEL	

MANUFACTURING INC. BRADENTON, FLORIDA		JOB NO.	30887
		SCALE	1:24
TITLE	1250-D-1000 POLY 147.5" BODY DS & PS FULL HEIGHT	DRAWN BY	JLA
FOR	(2) 1.5" CROSSLAYS, W/ TRAYS	CHECKED BY	GSC
DWG NO.	CADDO PARISH DISTRICT #7	SHEET SIZE	D
	OIL CITY, LOUISIANA	SHEET NO.	1 OF 1
		30887AD	