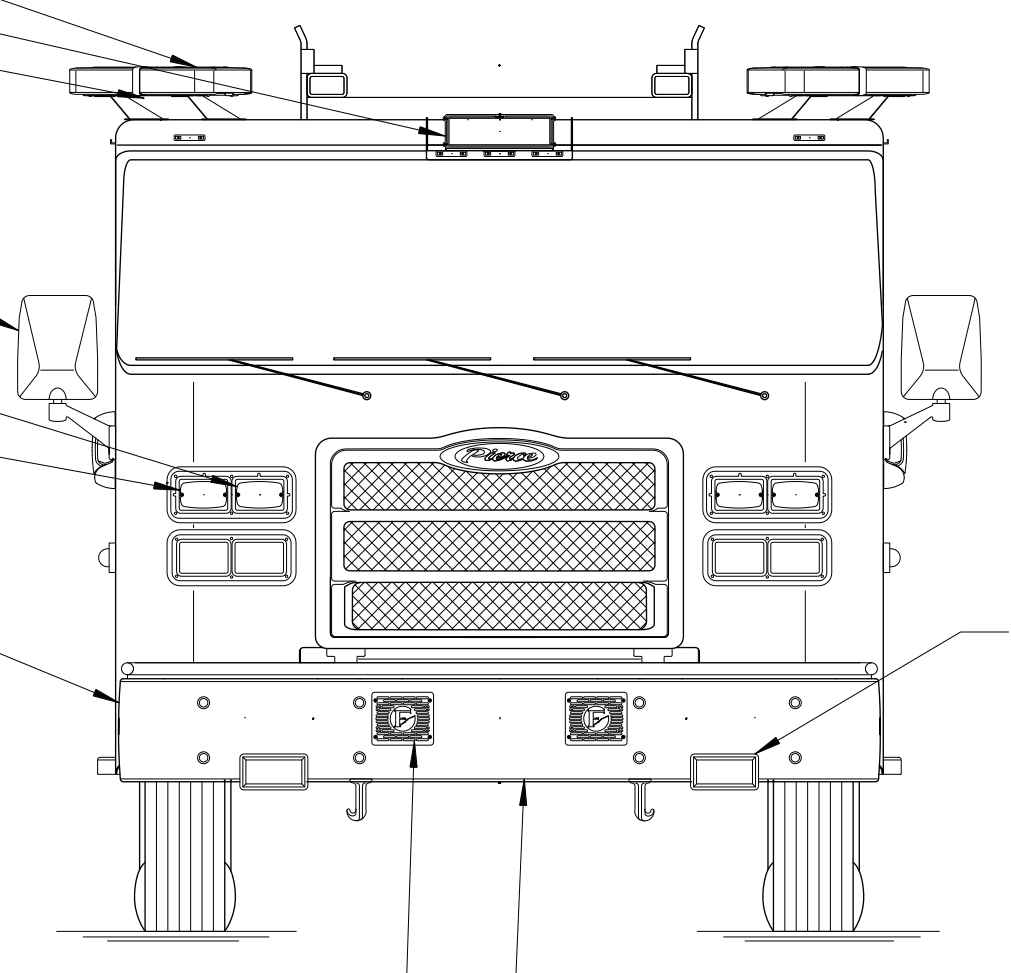


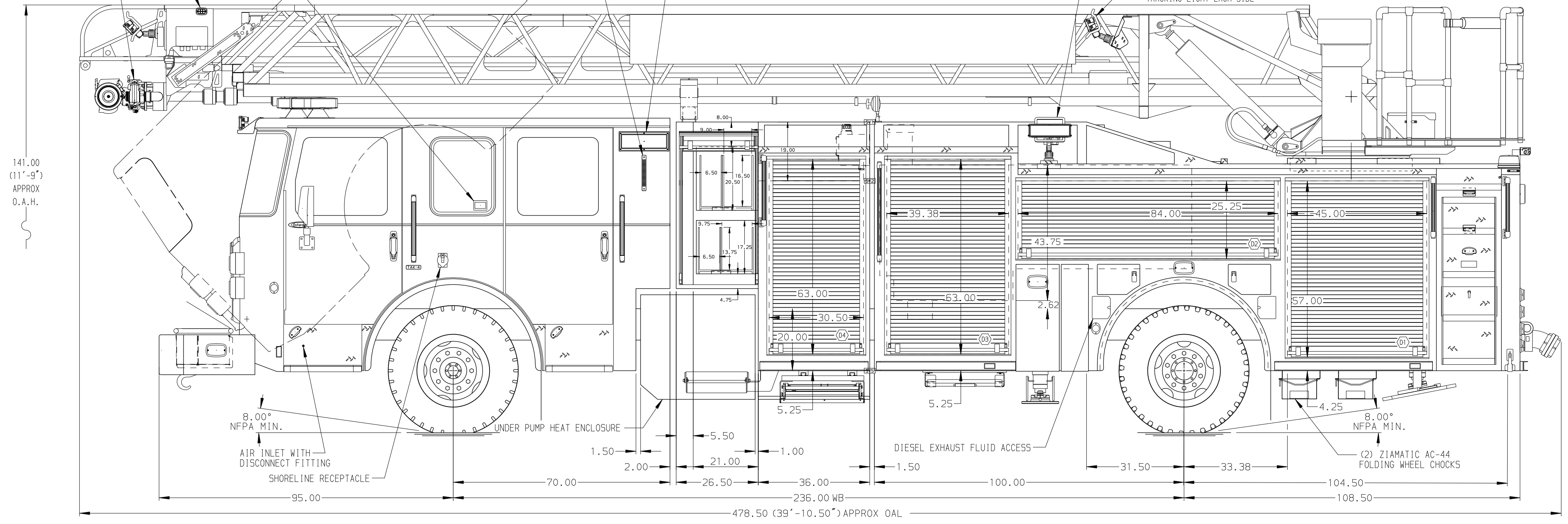
- (1) WHELEN PIONEER PFP1 L.E.D. TIP LIGHT EACH SIDE
- (2) WHELEN FREEDOM IV-Q 30 DEG LIGHTBARS
- WHELEN PFS2 L.E.D. VISOR LIGHT
- GTT 794 L.E.D. OPTICOM TRAFFIC LIGHT CONTROLLER



- RAMCO HEATED/REMOTE MIRRORS WITH SEPARATE CONVEX SECTION
- WHELEN M6 L.E.D. WARNING LIGHT IN A COMMON BEZEL EACH SIDE
- WHELEN M6 L.E.D. DIRECTIONAL LIGHT IN A COMMON BEZEL EACH SIDE

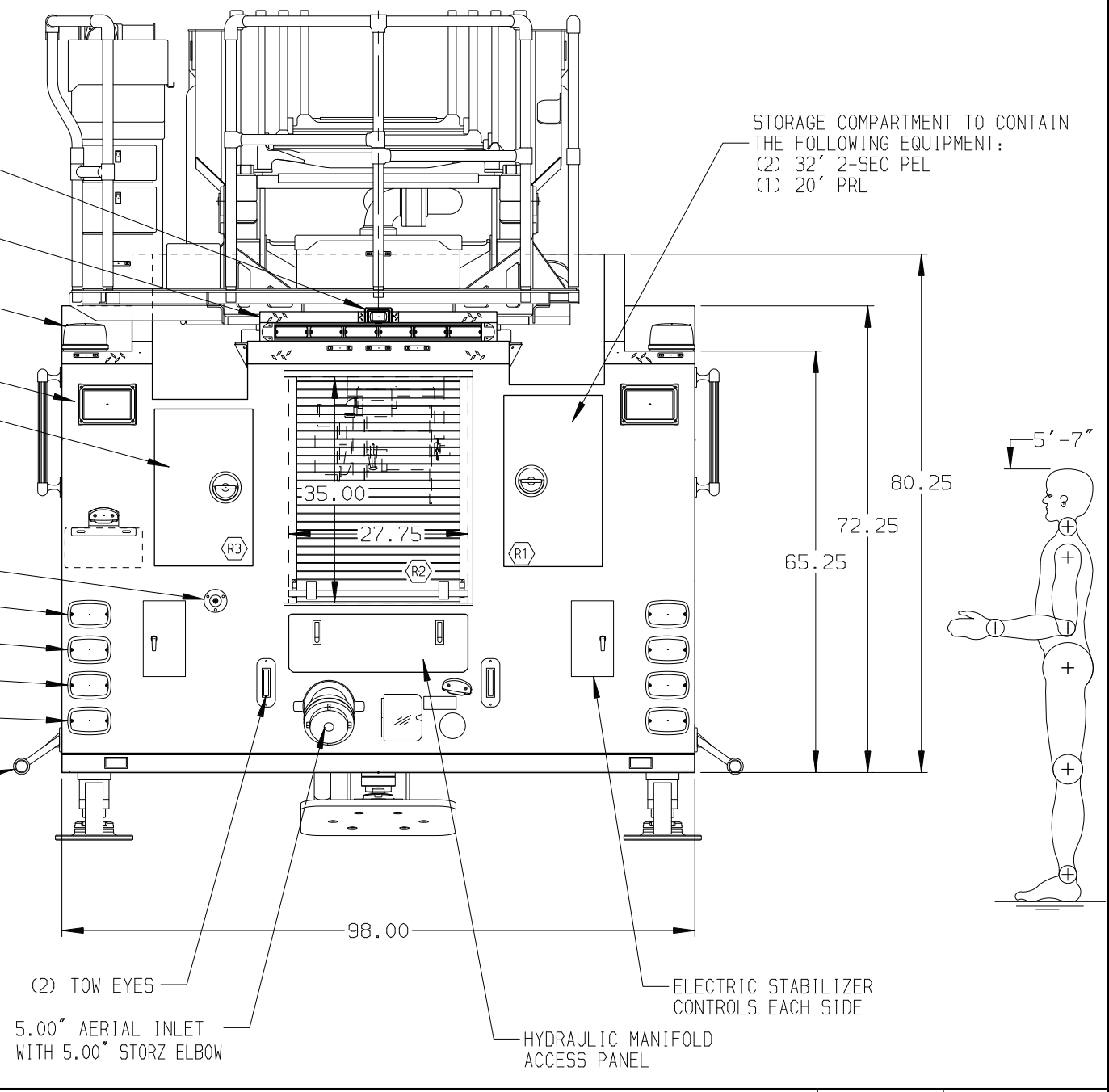
- (2) FEDERAL E5100C SPEAKERS WITH ESFM MOUNT AND STAINLESS STEEL GRILLE
- 1.50" OUTLET WITH 2.50" PIPING AND SWIVEL WITH SPECIAL MNPSH THREADS IN EACH HOSEBED

- BATTERY CHARGER INDICATOR
- (1) WHELEN M2W LOCATOR LIGHT EACH SIDE
- 2.50" AUXILIARY OUTLET
- WHELEN P5TANK L.E.D. WATER LEVEL INDICATOR



- HYDRAULIC OIL RESERVOIR FOR HUSKY 12 FOAM SYSTEM
- WHELEN PFP12C L.E.D. DECK LIGHT
- WHELEN PFS2 L.E.D. PEDESTAL MOUNTED SCENE LIGHT EACH SIDE
- (1) WHELEN PIONEER PFP1 L.E.D. TRACKING LIGHT EACH SIDE

- PIERCE CW144639CA1 BACKUP CAMERA WITH 4 WAY GUARD
- WHELEN TAM6S L.E.D. TRAFFIC DIRECTING LIGHT WITH ENCLOSURE
- (2) WHELEN L31HRFN L.E.D. WARNING LIGHTS



- (2) WHELEN PCPSM1 L.E.D. SCENE LIGHTS
- STORAGE COMPARTMENT TO CONTAIN THE FOLLOWING EQUIPMENT:
 - (1) 16" ROOF 875 PRL
 - (1) 10" FOLDING 58S
 - (3) PIKE POLES
 - (3) D-HANDLE TROUGHS
 - (1) PIERCING NOZZLE TROUGH
- SWITCH FOR DECK LIGHT
- (2) WHELEN M6 L.E.D. WARNING LIGHTS
- (2) WHELEN M6 L.E.D. STOP/TAI LIGHTS
- (2) WHELEN M6 L.E.D. DIRECTIONAL LIGHT
- (2) WHELEN M6 L.E.D. BACKUP LIGHTS

- L.E.D. MARKER LIGHT WITH RUBBER ARM EACH SIDE

- (2) TOW EYES
- 5.00" AERIAL INLET WITH 5.00" STORZ ELBOW
- HYDRAULIC MANIFOLD ACCESS PANEL
- ELECTRIC STABILIZER CONTROLS EACH SIDE

ALUMINUM BODY MAXIMUM O.A.H. 142.00" SIDE ROLL & FRONTAL IMPACT PROTECTION

NOTE
DIMENSIONS SHOWN ARE APPROXIMATE AND ARE SUBJECT TO MINOR DEVIATIONS AS MAY OCCUR OR BE NECESSARY IN CONSTRUCTION. MINOR DETAILS NOT SHOWN.

- BATTERY CHARGER LOCATED IN COMPARTMENT D3
- ONE ALUMINUM SWING OUT TOOLBOARD IN COMPARTMENT P2
- TWO FULL WIDTH/DEPTH ADJUSTABLE SHELVES EACH IN COMPARTMENTS D1, D3, P1, P3, P4
- ONE ADJUSTABLE SLIDE-OUT TRAY WITH SIDES IN COMPARTMENTS D1, D3, P1, P3, P4
- ALUMINUM PEGBOARD WITH TRACK ON BACK WALL OF COMPARTMENTS D2, P2
- TECNIO L.E.D. RING LIGHTING ON AERIAL DEVICE
- COMPARTMENT VENTILATION SYSTEM WITH TIMER
- CIRCUIT BREAKER PANEL LOCATED IN COMPARTMENT D3
- TRIDENT FOLDING STEPS MOUNTED ON THE AERIAL DEVICE
- ONE HANNAY ECR1618-17-18 3-WIRE ELECTRIC REWIND CORD REEL WITH 200' OF 10/3 CABLE IN COMPARTMENT P2
- ONE DUPLEX SHORELINE RECEPTACLE UNDER FORWARD FACING SEAT
- POWER TO AERIAL TIP
- FIRE RESEARCH 3-WAY RADIO INTERCOM SYSTEM
- ONE 4-PLACE SHORELINE RECEPTACLE IN COMPARTMENTS D1, P1, AND BEHIND DRIVER'S SEAT ON SIDE OF ENGINE TUNNEL

CHASSIS DATA	TITLE	107' HSL AERIAL LADDER AND BODY ASSEMBLY
MAKE	FOR	500 GALLON TANK-450 GAL. WATER/50 GAL. FOAM CELL
PIERCE	FOR	MEDICINE HAT
MODEL	FOR	MEDICINE HAT, AB CANADA
ENFORCER	DWG NO.	30911AD

Pierce MANUFACTURING INC.		JOB NO.	30911
SCALE	1:24	DATE	
DRAWN BY	BST	DATE	19APR17
CHECKED BY	CRI	DATE	20APR17
SHEET SIZE	D	SHEET NO.	1 OF 1