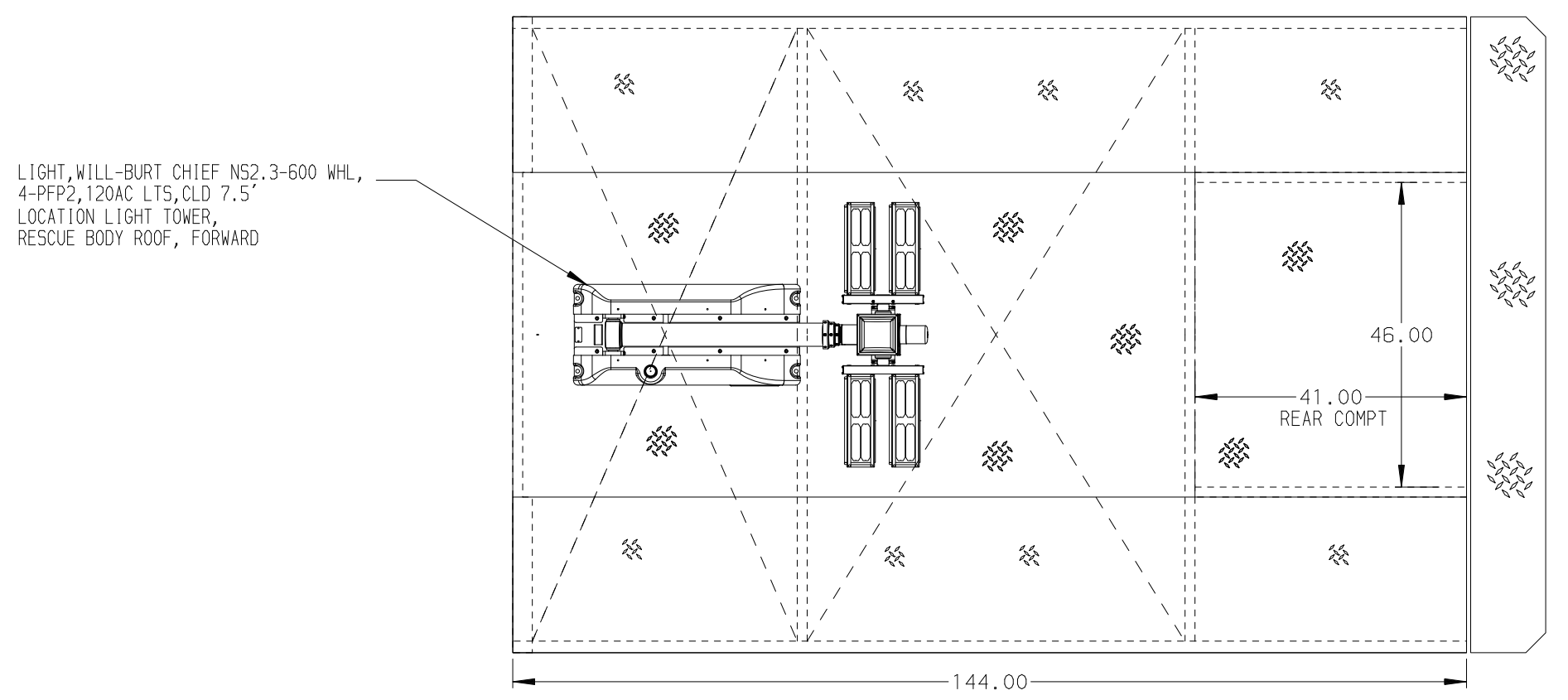
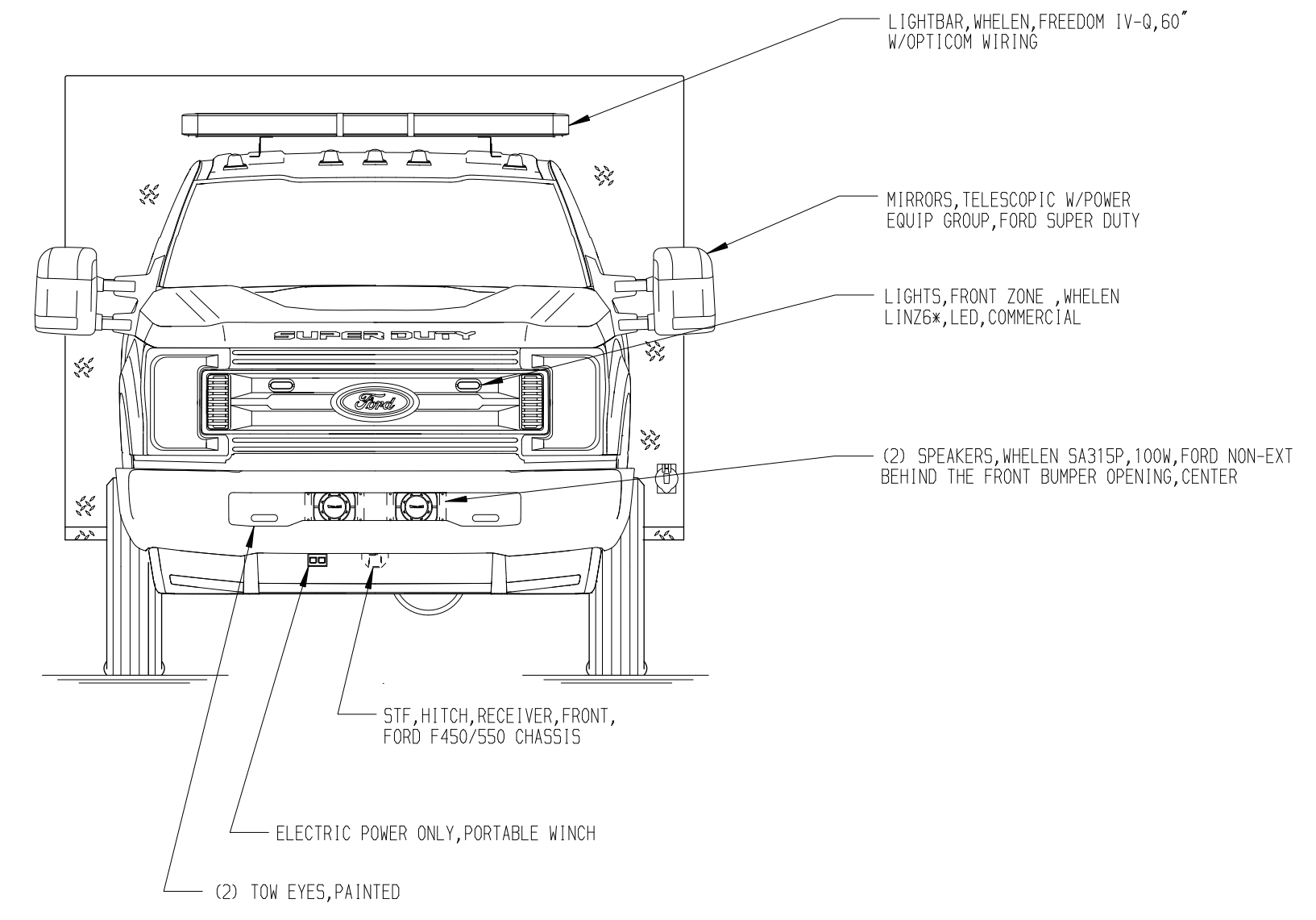
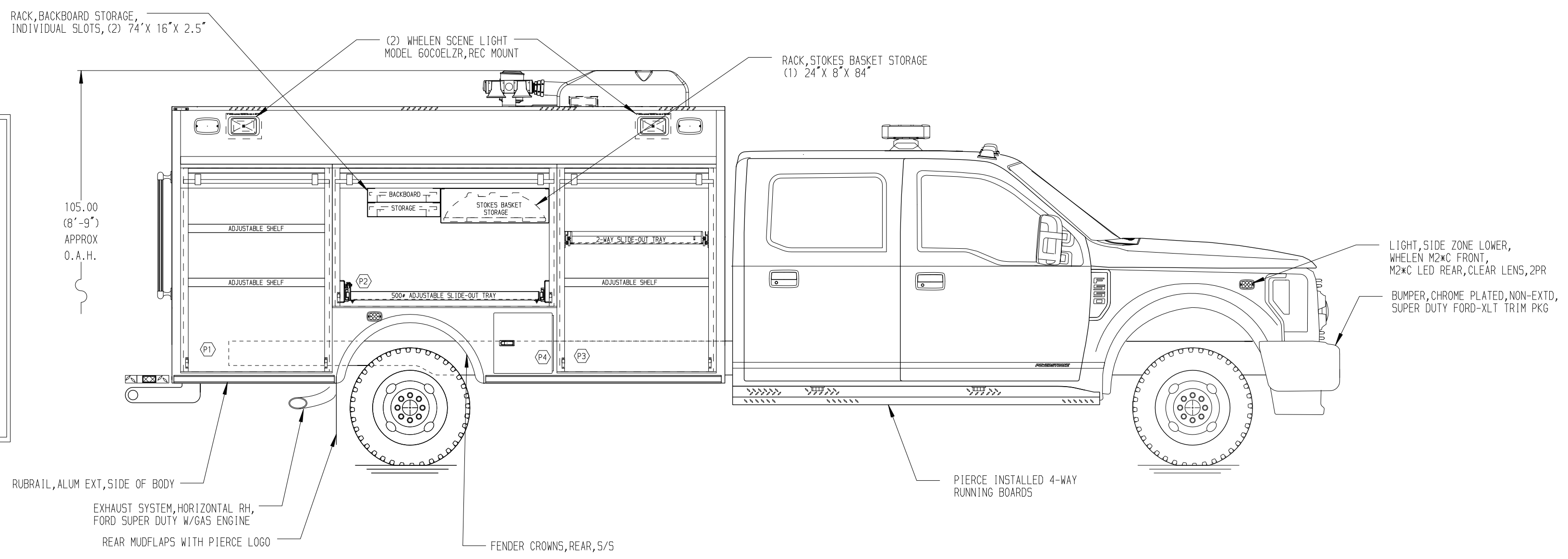


PASSENGER'S SIDE COMPARTMENTS CONTAIN THE FOLLOWING:

COMPARTMENT P1 CONTAINS:
 - (2) SHELF, ADJUSTABLE, 500LB CAP. STANDARD DEPTH COMPT

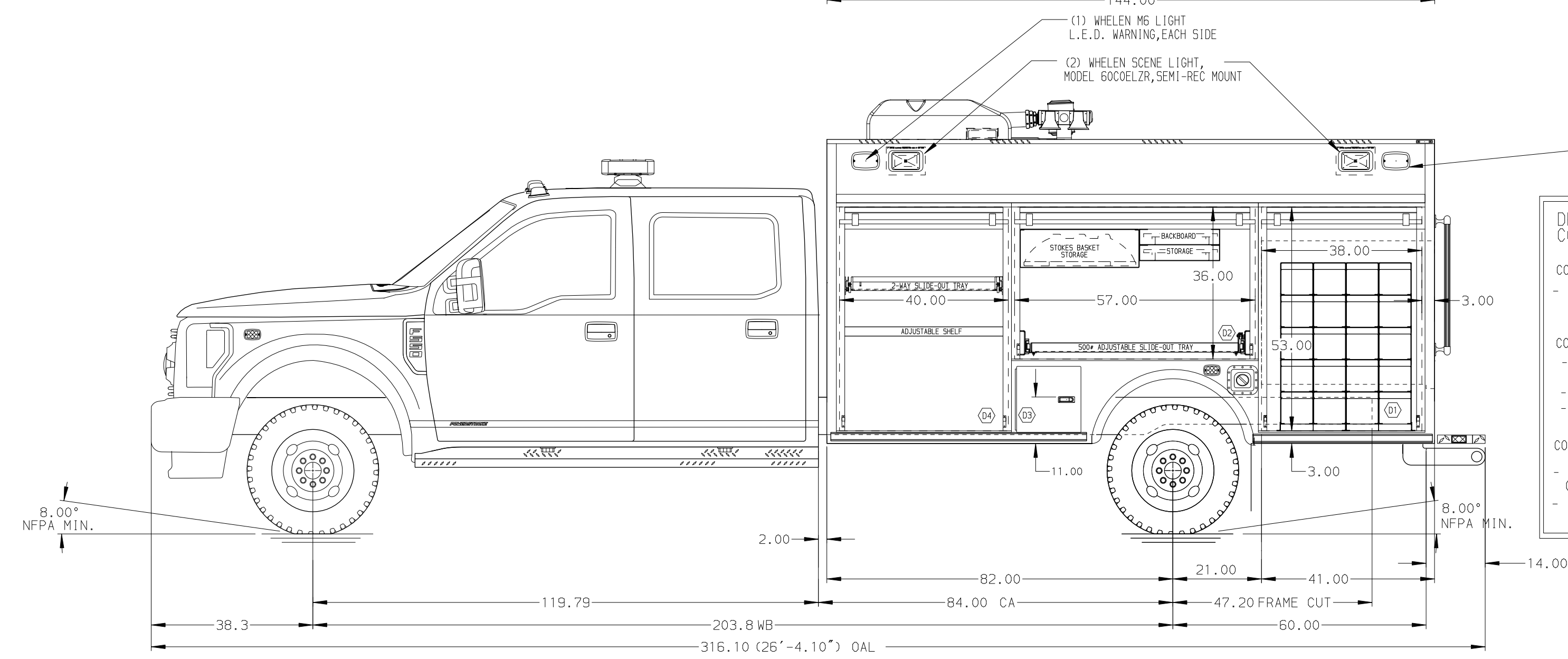
COMPARTMENT P2 CONTAINS:
 - (1) BACKBOARD STORAGE RACK FOR:
 (2) 74" L x 16" W x 2.5" D BACKBOARDS
 - (1) RACK, STOKES BASKET STORAGE
 - (1) TRAY SLIDE OUT, 1/2 TRANSVERSE, ADJUSTABLE HEIGHT, 500LB CAPACITY

COMPARTMENT P3 CONTAINS:
 - (1) TRAY SLIDE OUT, TWO WAY, TRANSVERSE COMPT, ADJUSTABLE HEIGHT, 500+ CAPACITY
 - (1) SHELF, ADJUSTABLE, 500LB CAP. TRANSVERSE COMPT



REAR COMPARTMENT R1 CONTAINS THE FOLLOWING:

COMPARTMENT R1 CONTAINS:
 - (1) TRAY SLIDE OUT, STD DEPTH, FLOOR MOUNTED, 500LB CAPACITY

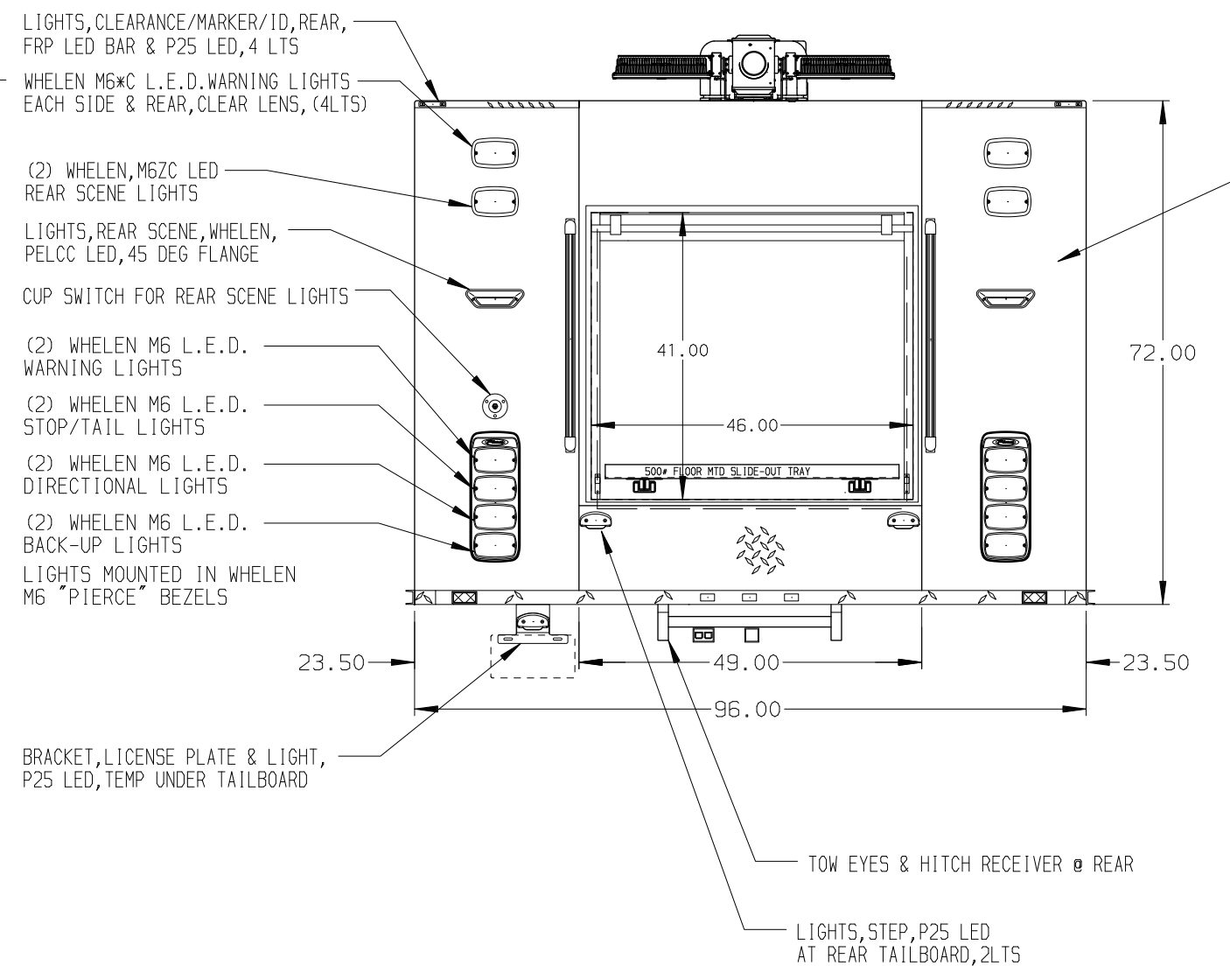


DRIVER'S SIDE COMPARTMENTS CONTAIN THE FOLLOWING:

COMPARTMENT D1 CONTAINS:
 - (2) RACK, SPARE SCBA BOTTLE, 7.50"


COMPARTMENT D2 CONTAINS:
 - (1) BACKBOARD STORAGE RACK FOR:
 (2) 74" L x 16" W x 2.5" D BACKBOARDS
 - (1) RACK, STOKES BASKET STORAGE
 - (1) TRAY SLIDE OUT, 1/2 TRANSVERSE, ADJUSTABLE HEIGHT, 500LB CAPACITY

COMPARTMENT D3 CONTAINS:
 - (1) TRAY SLIDE OUT, TWO WAY, TRANSVERSE COMPT, ADJUSTABLE HEIGHT, 500+ CAPACITY
 - (1) SHELF, ADJUSTABLE, 500LB CAP. TRANSVERSE COMPT



ALUMINUM BODY

NOTE
 DIMENSIONS SHOWN ARE APPROXIMATE AND ARE SUBJECT TO MINOR DEVIATIONS AS MAY OCCUR OR BE NECESSARY IN CONSTRUCTION. MINOR DETAILS NOT SHOWN.

 PIERCE MANUFACTURING INC. BRADENTON, FLORIDA		JOB NO.	30928
		DATE	SCALE 1:24
TITLE 12' RESCUE, NON-WALK-IN FOR KEIZER FIRE DISTRICT KEIZER, OREGON		16JAN17	DRAWN BY JAF
		17JAN17	CHK'D BY RWI
DRWG. NO. 30928AD		SHEET NO.	SHEET SIZE
		1 OF 1	D

REV.	DATE	BY	CHK'D	CHASSIS DATA
25JUL17	JAF	NAS		CHASSIS DATA
09JUN17	JLA	NAS		FORD
14FEB17	RW1	JAF		MODEL F-550 4X4