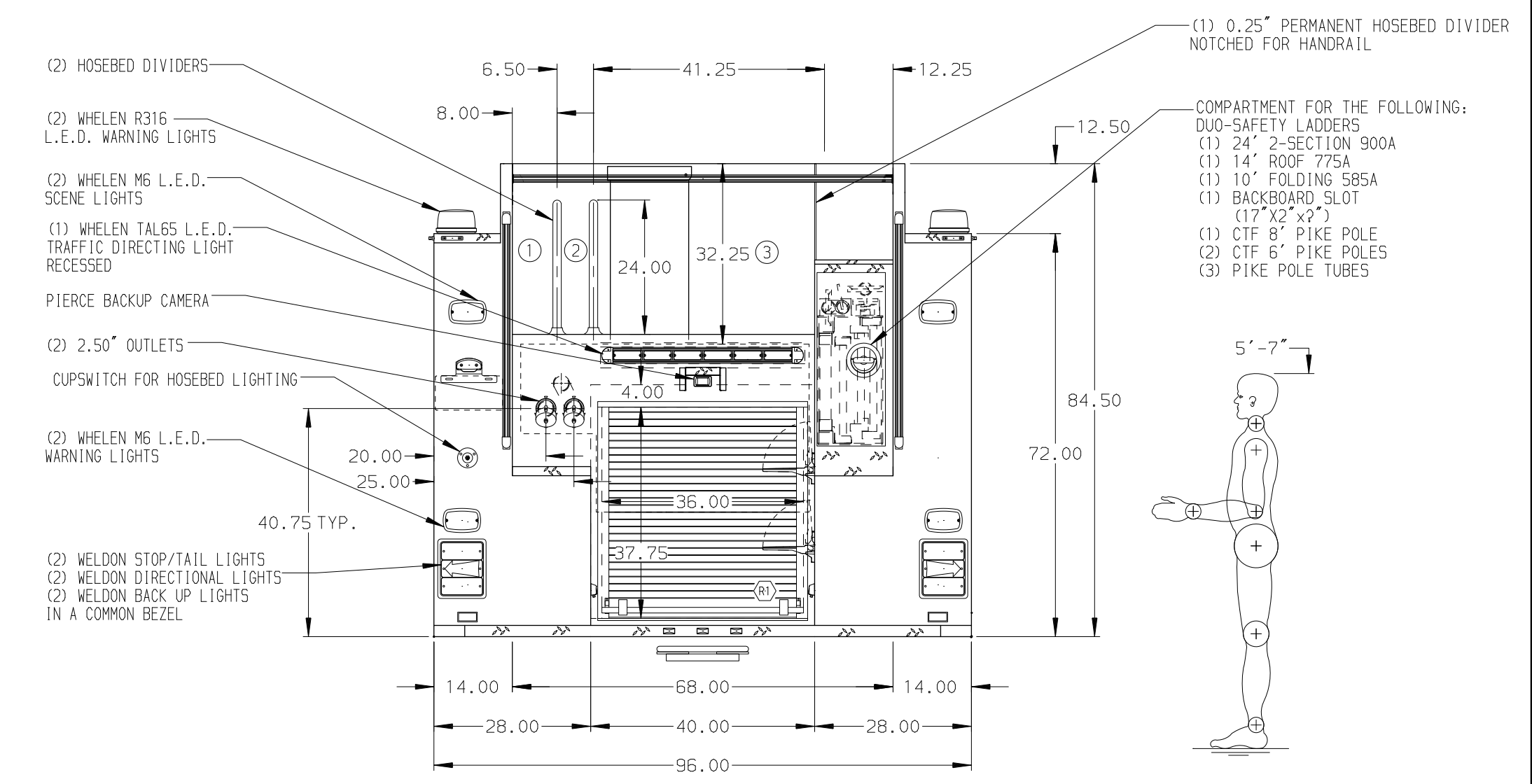
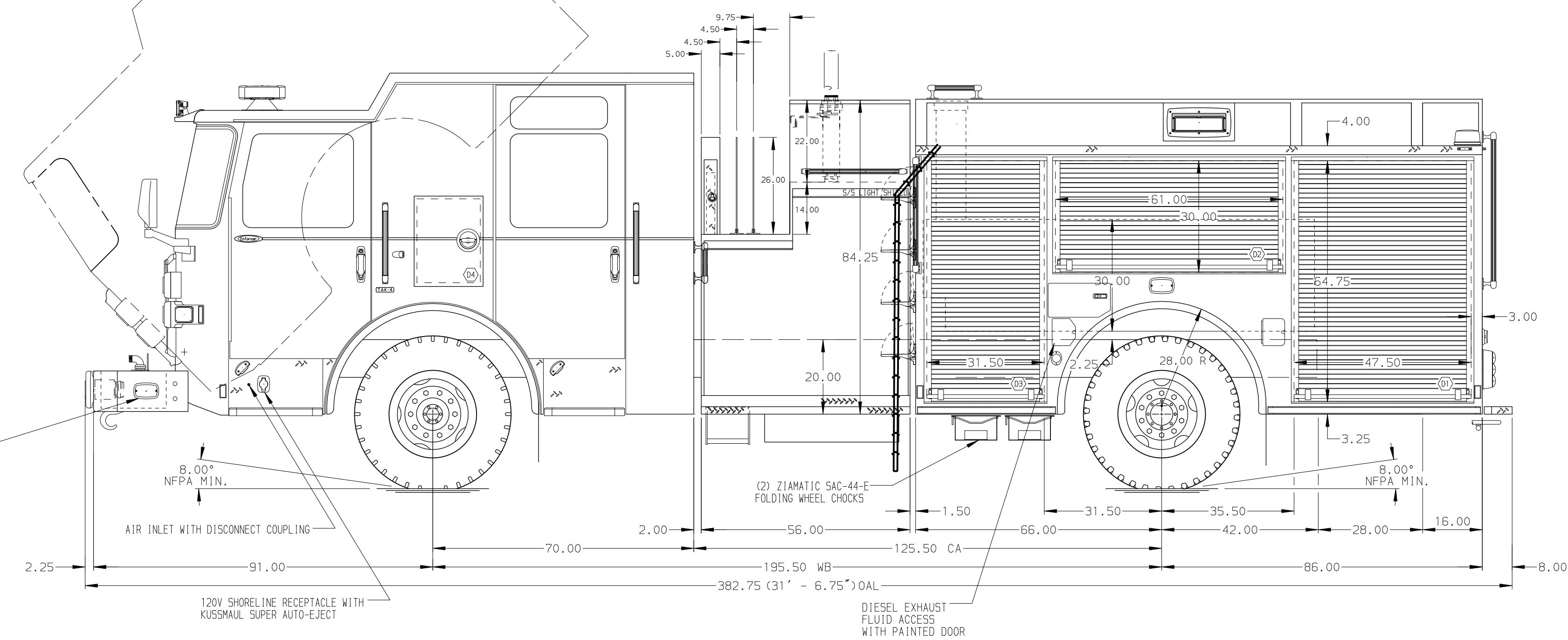


- HOSEBED CAPACITIES
- ① 200' OF 3.00" D.J. POLY HOSE
 - ② 200' OF 2.50" D.J. POLY HOSE
 - ③ 1500' OF 5.00" D.J. POLY HOSE



ALUMINUM BODY

NOTE
 DIMENSIONS SHOWN ARE APPROXIMATE AND ARE SUBJECT TO MINOR DEVIATIONS AS MAY OCCUR OR BE NECESSARY IN CONSTRUCTION. MINOR DETAILS NOT SHOWN.

- 1. BATTERY CHARGER LOCATED IN CAB EMS COMPARTMENT
- 2. BATTERY CHARGER INDICATOR LOCATED ON DRIVER'S SEAT RISER
- 3. FULL WIDTH/DEPTH ADJUSTABLE SHELVES TWO IN D1, P1, AND P3, AND ONE IN D3 AND R1
- 4. ONE FLOOR MOUNTED SLIDE-OUT TRAY IN D1 & P1
- 5. SWING-OUT TOOL BOARD WITH PEGBOARD PATTERN IN D2 AND P2
- 6. (1) 120V DUPLEX RECEPTACLE BEHIND THE DRIVERS SIDE SEAT
- 7. ALUMINUM PEGBOARD ON THE BACK WALL OF COMPARTMENT D3

REV	DATE	BY	CH	ENFORCER
14JUN17	AMI	LPA		MAKE
18MAY17	AMI	LPA		PIERCE
02FEB17	AMI	JBL		MODEL

		JOB NO.	30937
		SCALE	1:24
TITLE	1500-D-500 GAL POLY, 152" FULL HEIGHT FDLR (3) X-LAYS, LADDER BTWN. TANK AND S. SHEET, DELUGE	DRAWN BY	AMI
FOR	OKLAHOMA CITY FIRE DEPARTMENT OKLAHOMA CITY, OKLAHOMA	CHECKED BY	JBL
DWG NO.	30937AD	SHEET SIZE	D
		SHEET NO.	1 OF 1