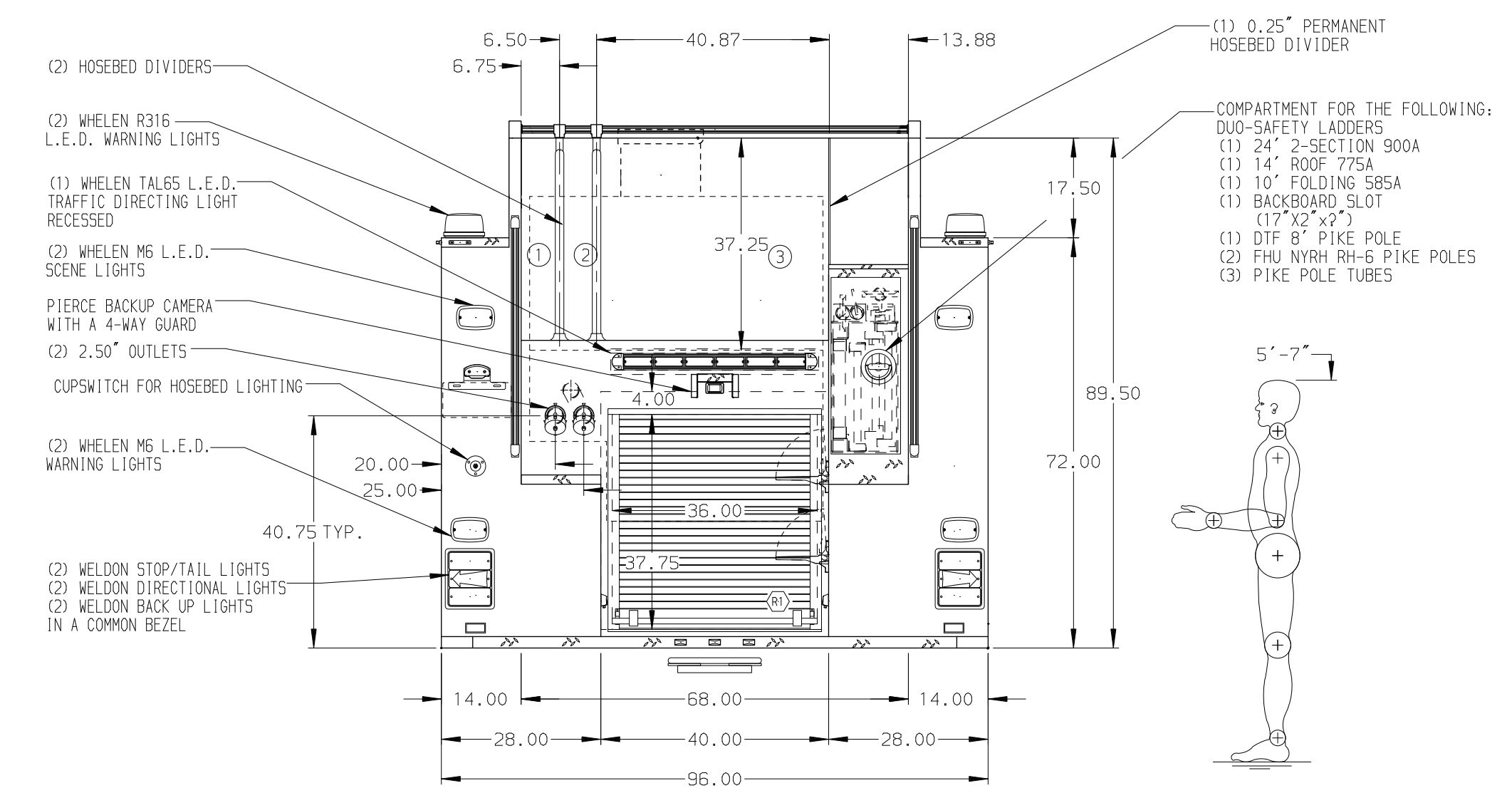
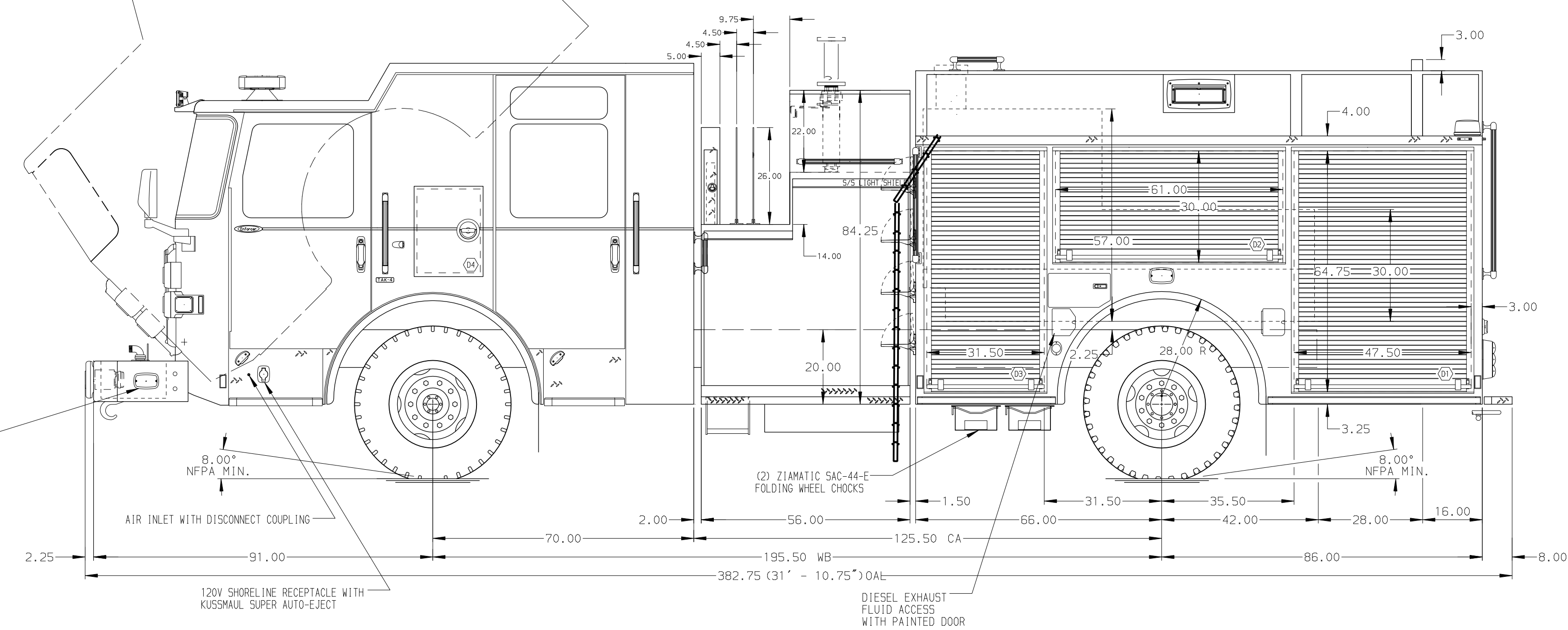


- HOSEBED CAPACITIES
- ① 200' OF 3.00" D.J. POLY HOSE
  - ② 200' OF 2.50" D.J. POLY HOSE
  - ③ 1500' OF 5.00" D.J. POLY HOSE



ALUMINUM BODY

NOTE  
DIMENSIONS SHOWN ARE APPROXIMATE AND ARE SUBJECT TO MINOR DEVIATIONS AS MAY OCCUR OR BE NECESSARY IN CONSTRUCTION. MINOR DETAILS NOT SHOWN.

1. BATTERY CHARGER LOCATED IN CAB EMS COMPARTMENT
2. BATTERY CHARGER INDICATOR LOCATED ON DRIVER'S SEAT RISER
3. FULL WIDTH/DEPTH ADJUSTABLE SHELVES TWO IN D1, P1, AND P3, AND ONE IN D3 AND R1
4. ONE FLOOR MOUNTED SLIDE-OUT TRAY IN D3, P1 AND P3
5. SWING-OUT TOOL BOARD WITH PEGBOARD PATTERN IN D2 AND P2
6. (1) 120V DUPLEX RECEPTACLE BEHIND THE DRIVERS SIDE SEAT
7. ALUMINUM PEGBOARD ON THE BACK WALL OF COMPARTMENT D3

REV	DATE	BY	CH	ENFORCER
21JUN17	AMI	LPA		MAKE
25MAY17	AMI	LPA		PIERCE
16FEB17	AMI	JBL		MODEL

		JOB NO.	30954 (01-02)
		SCALE	1:24
TITLE 1500-D-750 GAL POLY, 152" FULL HEIGHT FDLR (3) X-LAYS, LADDER BTWN. TANK AND S. SHEET, DELUGE	FOR OKLAHOMA CITY FIRE DEPARTMENT OKLAHOMA CITY, OKLAHOMA	DRAWN BY	AMI
		CHECKED BY	JBL
DWG NO.	30954AD	SHEET SIZE	D
		SHEET NO.	1 OF 1