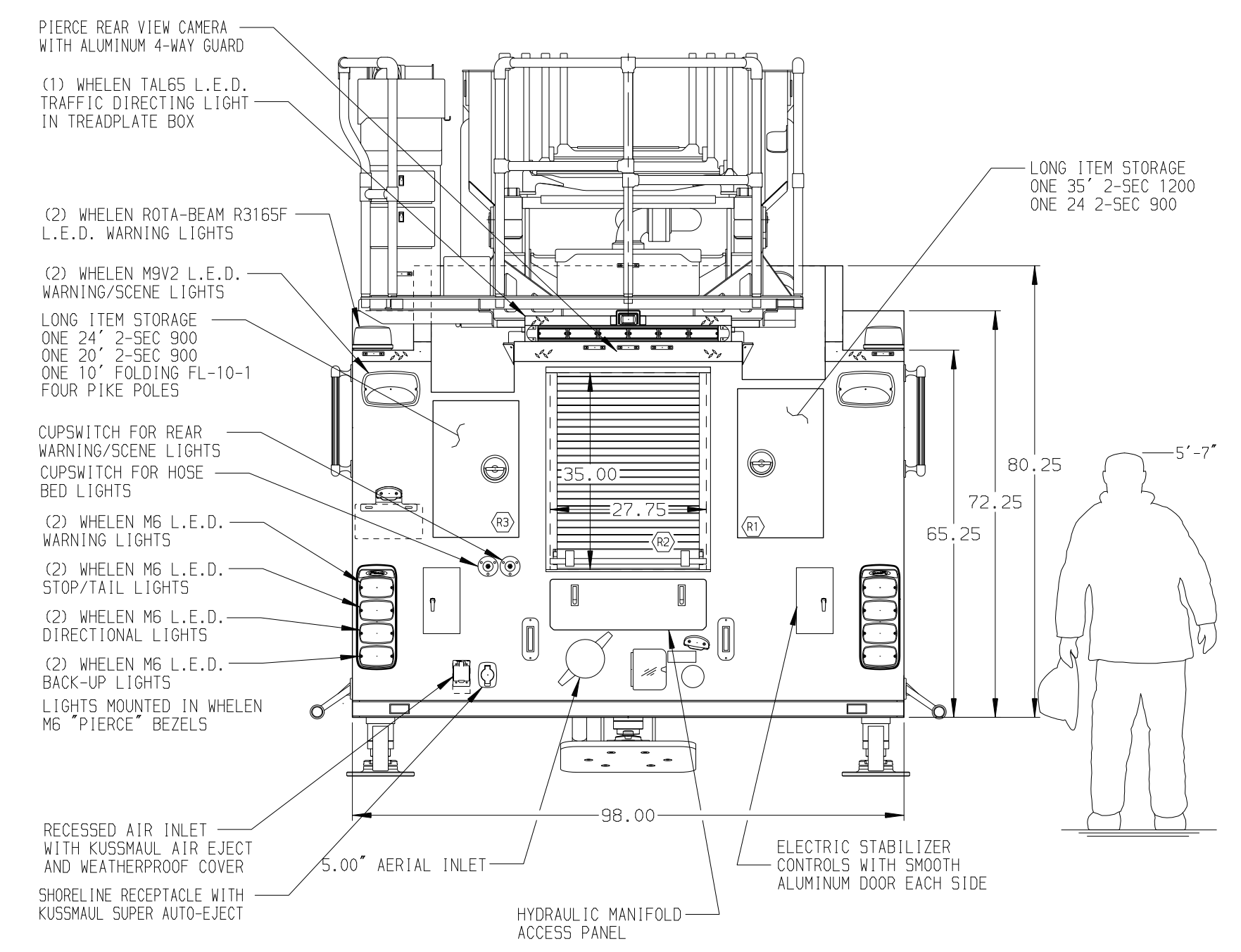


ALUMINUM BODY **MAXIMUM O.A.H. 138"**

NOTE
DIMENSIONS SHOWN ARE APPROXIMATE AND ARE SUBJECT TO MINOR DEVIATIONS AS MAY OCCUR OR BE NECESSARY IN CONSTRUCTION. MINOR DETAILS NOT SHOWN.

1. BATTERY CHARGER LOCATED BEHIND DRIVER SEAT
2. CIRCUIT BREAKER PANEL IN COMPARTMENT D3
3. ONE SHORELINE DUPLEX RECEPTACLE IN EMS CABINET AND D1
4. TRIDENT FOLDING STEPS ON AERIAL DEVICE
5. ONE STABILIZER PLACEMENT LASER EACH SIDE
6. L.E.D. LIGHTING ON AERIAL LADDER SECTIONS
7. 120V DUPLEX RECEPTACLE AT THE AERIAL TIP
8. 2-WAY INTERCOM SYSTEM BETWEEN AERIAL TIP AND TURNTABLE
9. LIFTING EYE ROPE RESCUE ATTACHMENT AT AERIAL TIP
10. AIR HORN CONTROL AT TURNTABLE

11. 1500 GPM HIGH FLOW WATERWAY
12. ONE 40" NHF-40 WITH D HANDLE SHIPPED LOOSE



				Pierce MANUFACTURING INC.		JOB NO.	30994
						SCALE	DATE
						1:24	
				CHASSIS DATA		TITLE	107' ASCENDANT AERIAL LADDER AND BODY ASSEMBLY
				MAKE		FOR	500 GALLON WATERTANK
				PIERCE			BOROUGH OF BELLMAWR
				MODEL			BELLMAWR, NJ
				ENFORCER		DWG NO.	30994AD
REV	DATE	BY	CH			CHECKED BY	SHEET NO.
08SEP17		MWA	DTS			CRI	02JUN17
03AUG17		MWA	DTS				05JUN17
09JUN17		MWA	GRM				
						SHEET SIZE	1 OF 1
						D	