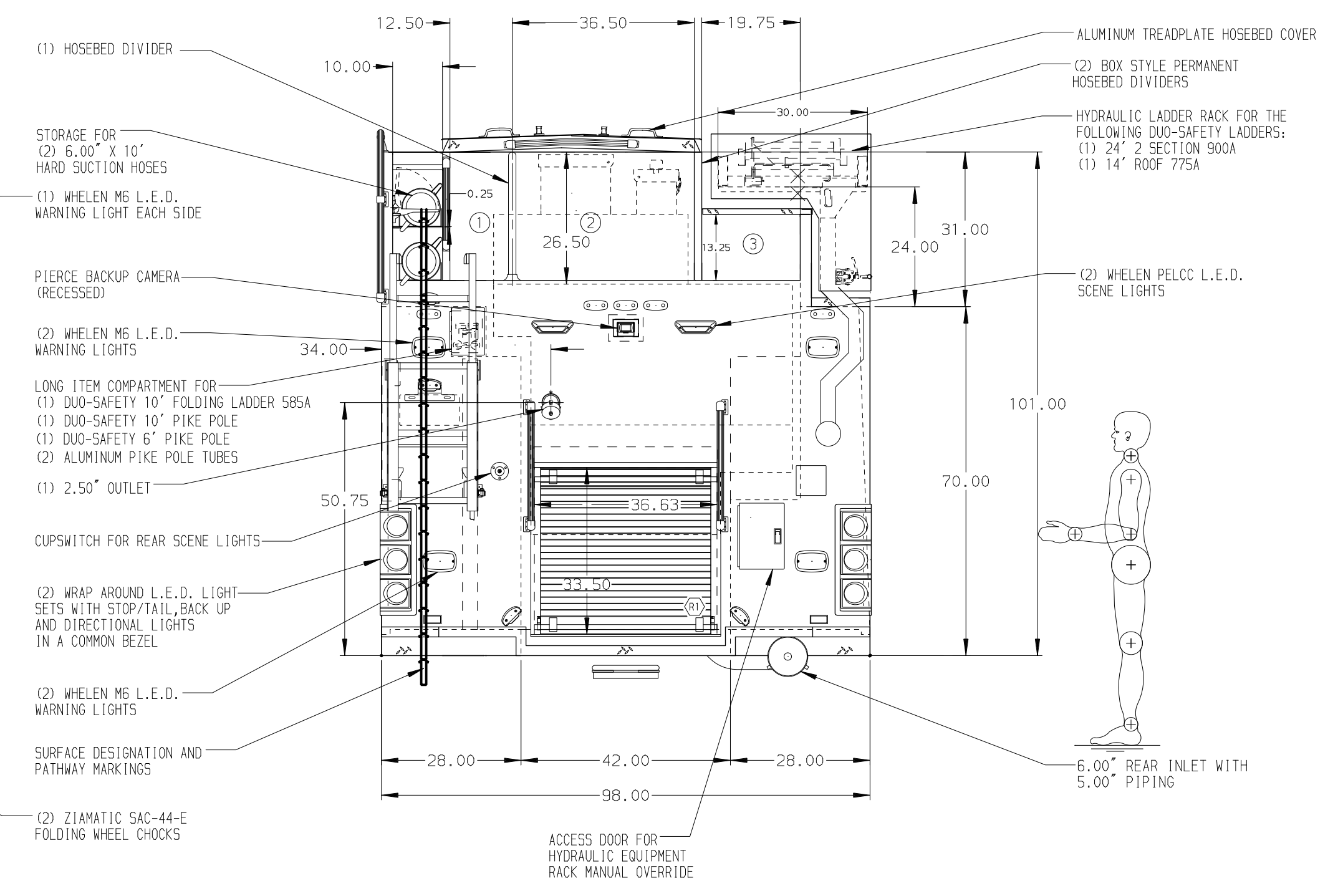
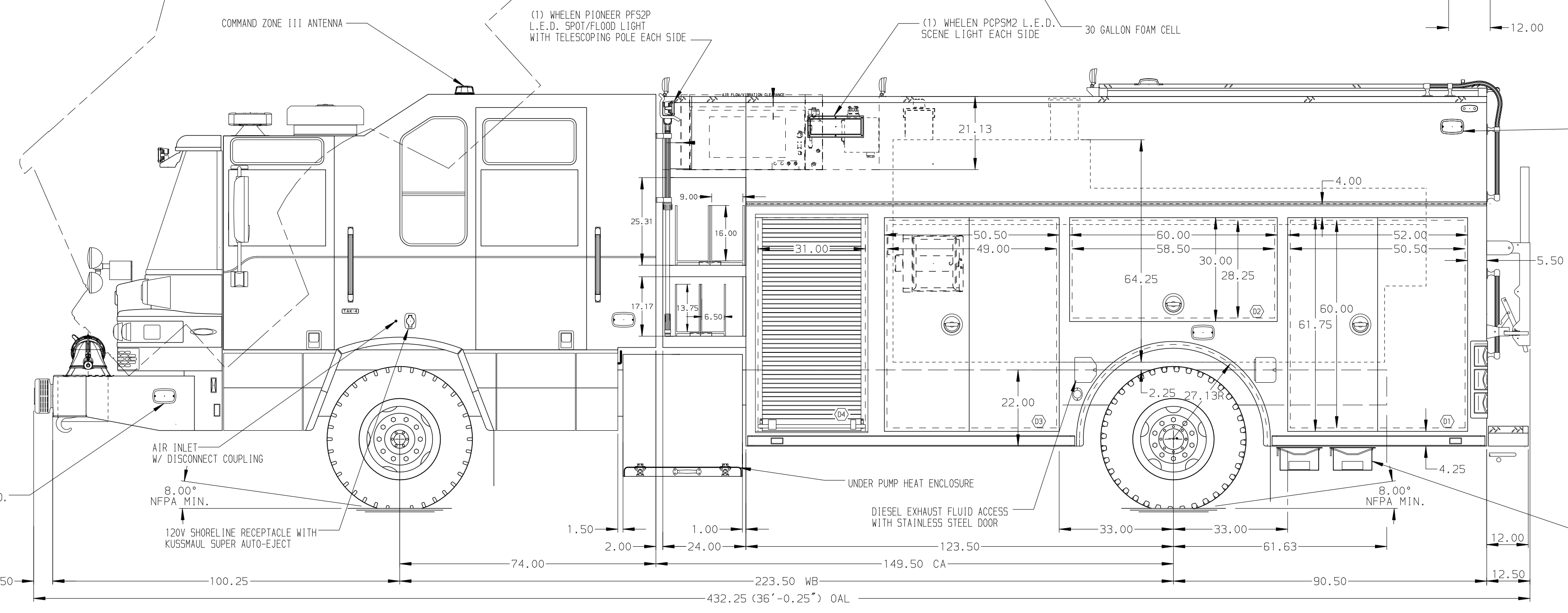


- HOSEBED CAPACITIES**
- ① 400' OF 2.50\"/>



ALUMINUM BODY

SIDE ROLL AND FRONTAL IMPACT PROTECTION

		JOB NO.	30999
		SCALE	DATE
MANUFACTURING INC.		DRAWN BY	LST
		CHECKED BY	CDU
TITLE 1500-D-1400P 1370 GAL WATER W/ 30 GAL FOAM CELL 214\"/>		DWG NO.	30999AD
		SHEET NO.	1 OF 1

- NOTE**
DIMENSIONS SHOWN ARE APPROXIMATE AND ARE SUBJECT TO MINOR DEVIATIONS AS MAY OCCUR OR BE NECESSARY IN CONSTRUCTION. MINOR DETAILS NOT SHOWN.
1. BATTERY CHARGER LOCATED IN PUMP PLUMBING AREA
 2. BATTERY CHARGER INDICATOR LOCATED ON DRIVER'S SEAT RISER
 3. ADJUSTABLE FULL WIDTH/DEPTH SHELVES TWO IN D1, D3, P1, AND P4 AND ONE IN P3
 4. ONE FLOOR MOUNTED SLIDE-OUT TRAY WITH 2.00\"/>

11. ONE STORAGE BIN FOR SIX AIR BOTTLES IN P1
12. ONE SIX PLACE RECEPTACLE STRIP IN D3 AND AT THE REAR OF THE ENGINE TUNNEL

29APR17	LST	JBO	CHASSIS DATA
11APR17	LST	JBO	MAKE
07APR17	LST	JBO	PIERCE
02MAR17	LST	CDU	MODEL
REV	DATE	BY	CH