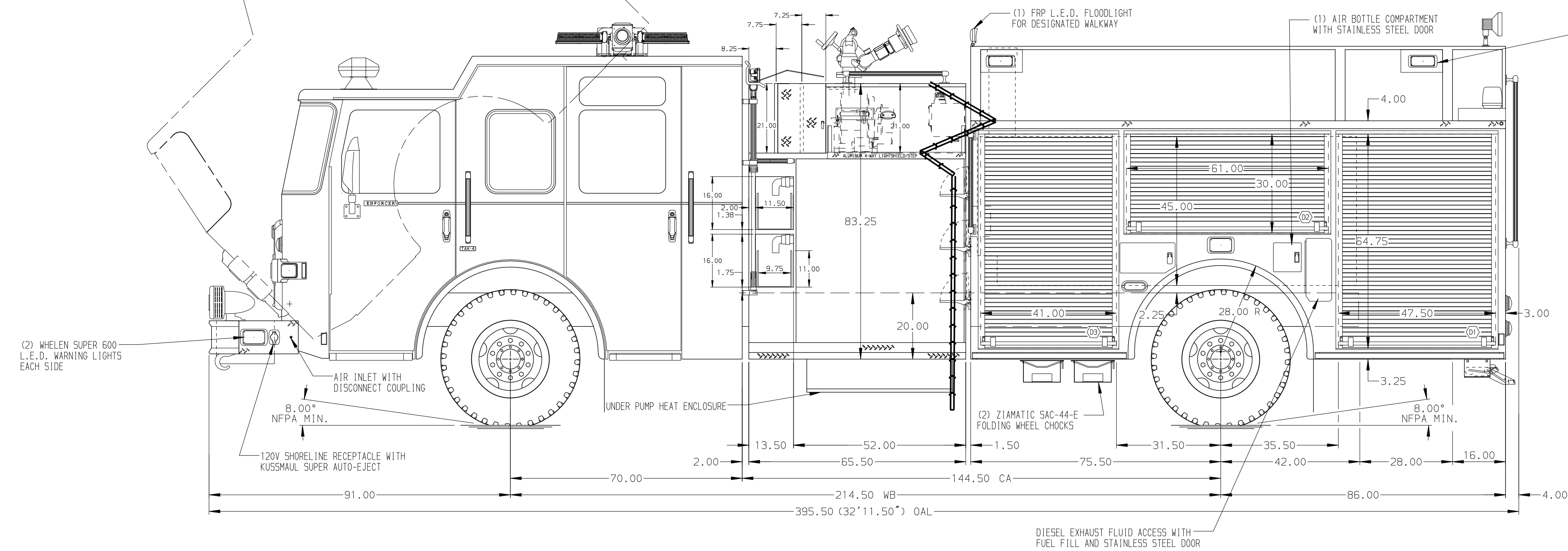
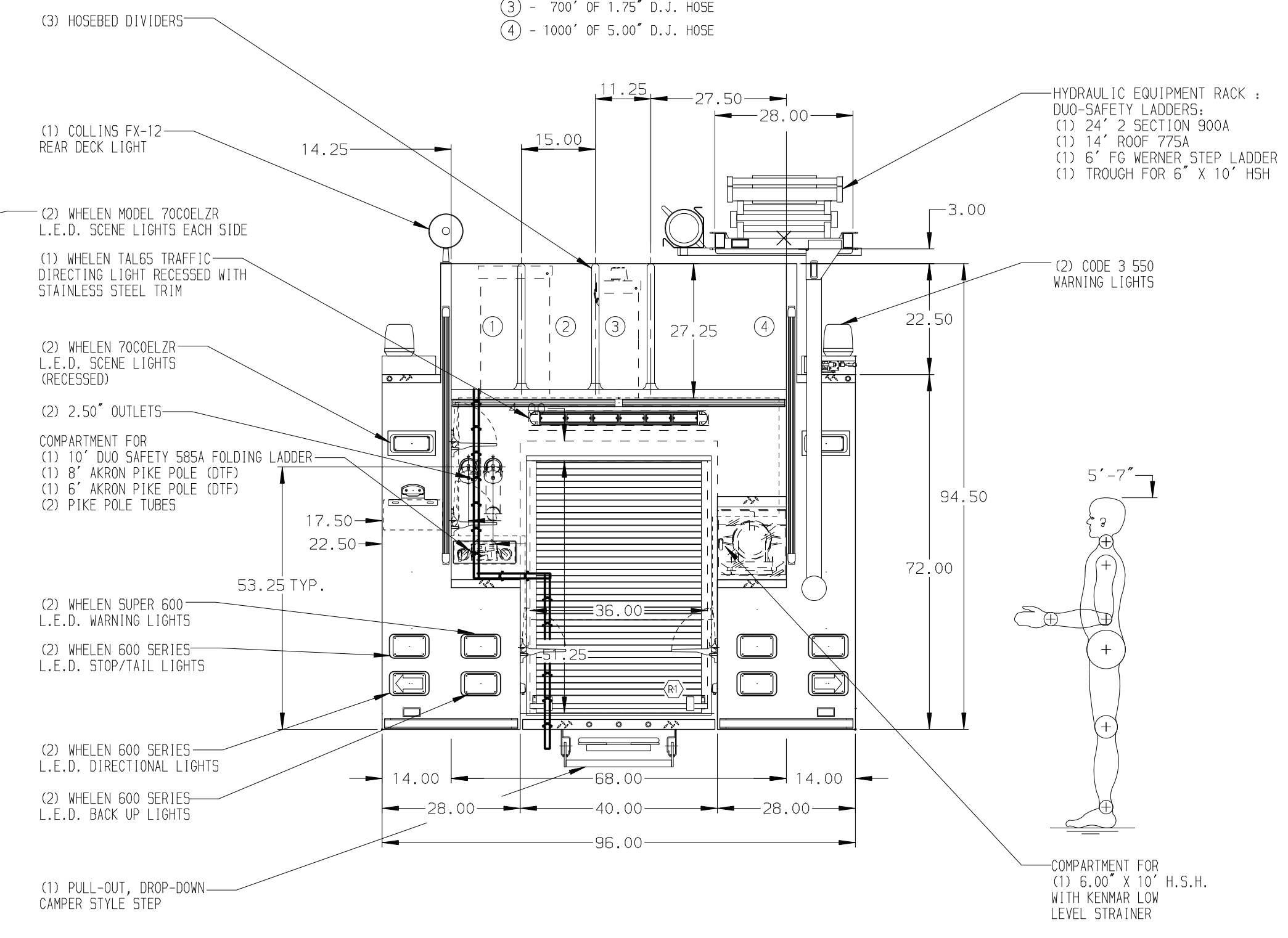


- HOSERED CAPACITIES**
- ① - 700' OF 2.50" D.J. HOSE
  - ② - 700' OF 2.50" D.J. HOSE
  - ③ - 700' OF 1.75" D.J. HOSE
  - ④ - 1000' OF 5.00" D.J. HOSE



**ALUMINUM BODY**

- NOTE**  
DIMENSIONS SHOWN ARE APPROXIMATE AND ARE SUBJECT TO MINOR DEVIATIONS AS MAY OCCUR OR BE NECESSARY IN CONSTRUCTION. MINOR DETAILS NOT SHOWN.
1. BATTERY CHARGER LOCATED BEHIND DRIVER'S SEAT
  2. BATTERY CHARGER INDICATOR LOCATED ON DRIVER'S SEAT RISER
  3. STAINLESS STEEL SCUFFPLATE ON BODY REAR CORNERS
  4. ADJUSTABLE FULL WIDTH / DEPTH SHELVES TWO IN D3 AND P1 AND ONE IN D2, P2, AND P3
  5. TWO ADJUSTABLE SLIDE-OUT TRAYS IN R1
  6. ONE FLOOR MOUNTED SLIDE-OUT TRAY IN D1, D3, R1, P1, AND P3
  7. RETENTION NETTING IN P2
  8. ROLL-OUT PROTECTIVE FLAP FOR BODY PANEL IN D2 AND P2
  9. PAC TRAC ON THE REAR WALL OF D1
  10. PARTITION BETWEEN COMPARTMENTS D1/R1 AND P1/R1
  11. ONE VERTICAL PARTITION (SPECIAL HEIGHT) IN P2
  12. CIRCUIT BREAKER PANEL IN D3
  13. HANNAY ELECTRIC REWIND CORD REEL MODEL 1616-17-18 WITH 150' OF 12/3 CABLE IN THE PASSENGER'S SIDE AND DRIVER'S SIDE OF THE CARGO AREA
  14. ONE 120V DUPLEX RECEPTACLE IN EACH EMS COMPARTMENT, P1, AND P3

REV	DATE	BY	CH	ENFORCER
30MAY17	LST	JBO		
05MAY17	LST	JBO		

		JOB NO.	31039
		SCALE	DATE
TITLE	1500-D-1020P, 1000G WATER W/20G FOAM CELL; 161" PMPR (1) XLAY, (2) SPDLAYS, (2) DEADLAYS; HYD LDDR RACK	DRAWN BY	LST
FOR	FORT ATKINSON FIRE DEPARTMENT FORT ATKINSON, WISCONSIN	CHECKED BY	KBO
DWG NO.	31039AD	SHEET SIZE	SHEET NO.
		D	1 OF 1