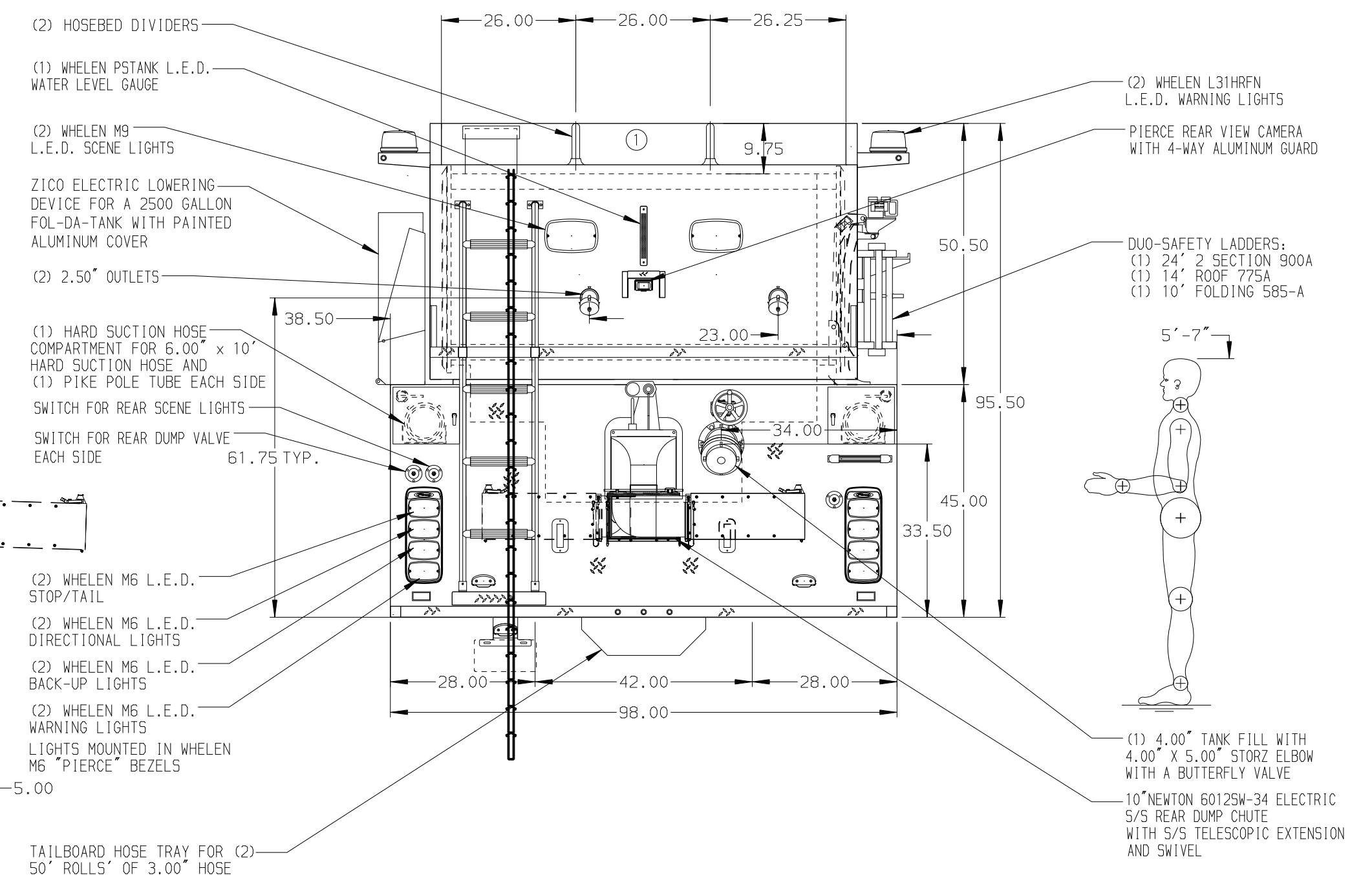
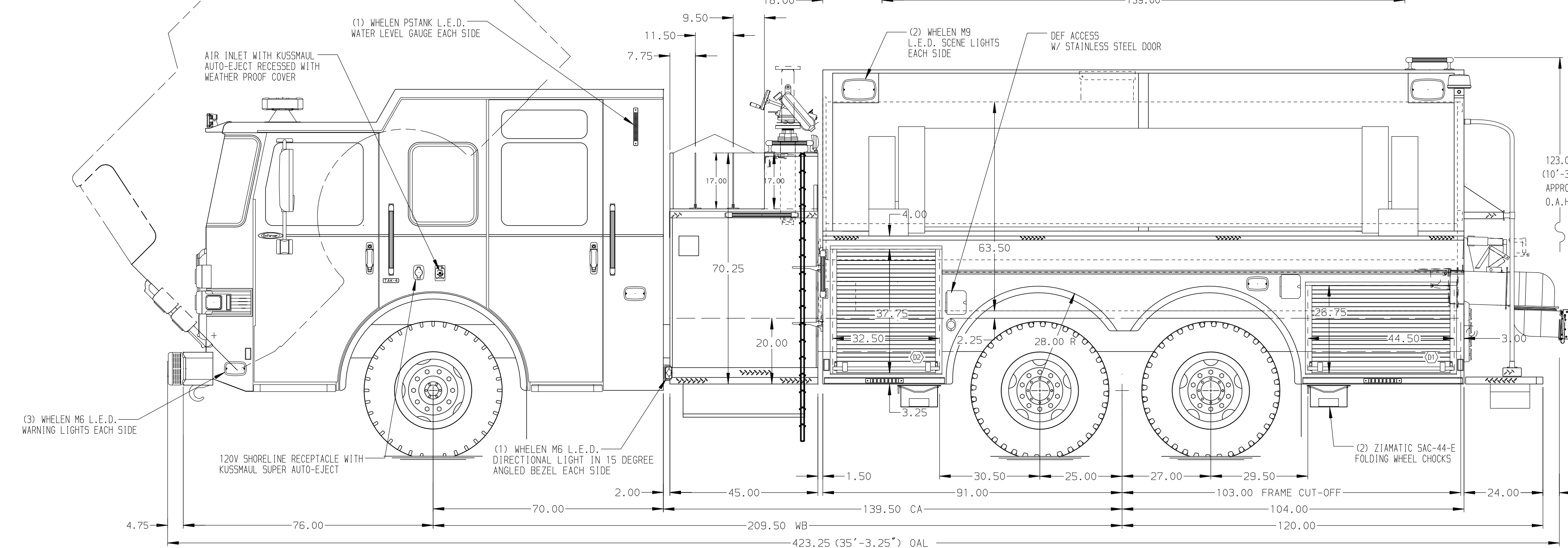


HOSEBED CAPACITIES
① - 400' OF 5.00" D.J. POLY HOSE



ALUMINUM BODY

SIDE ROLL AND FRONTAL IMPACT PROTECTION

NOTE
DIMENSIONS SHOWN ARE APPROXIMATE AND ARE SUBJECT TO MINOR DEVIATIONS AS MAY OCCUR OR BE NECESSARY IN CONSTRUCTION. MINOR DETAILS NOT SHOWN.

- INTERLUDE LUBE SYSTEM PUMP LOCATED IN THE PASSENGER'S SIDE BATTERY BOXES
- BATTERY CHARGER LOCATED BEHIND THE DRIVER'S SEAT
- BATTERY CHARGER INDICATOR LOCATED ON DRIVER'S SEAT RISER
- ONE FULL WIDTH/DEPTH PAINTED ADJUSTABLE SHELF IN D1 AND P1
- ONE ADJUSTABLE SLIDE-OUT TRAY IN P2
- TWO ALUMINUM PEGBOARD WITH TRACKS ON THE SIDE WALLS OF D2
- ONE DUPLEX RECEPTACLE BEHIND THE DRIVER'S SEAT, OFFICER'S SEAT, AND IN THE EMS CABINET

REV	DATE	BY	CH	ENFORCER
06JUL17	LST	PJP		CHASSIS DATA
31MAY17	LST	JBO		MAKE
31MAR17	LST	CSH		PIERCE
				MODEL
				ENFORCER

Pierce MANUFACTURING INC.

JOB NO. 31053
SCALE 1:24
DATE
DRAWN BY LST 21MAR17
CHECKED BY CCA 23MAR17
SHEET SIZE D SHEET NO. 1 OF 1

TITLE 1250-D-3000, 3000 GAL WATER, 195" DRYSIDE REAR DUMP, (2) CROSSLAYS, (1) DEADLAY (2) ZICO LIFTS
FOR PLAINFIELD FIRE PROTECTION DISTRICT PLAINFIELD, ILLINOIS
DWG NO. 31053AD