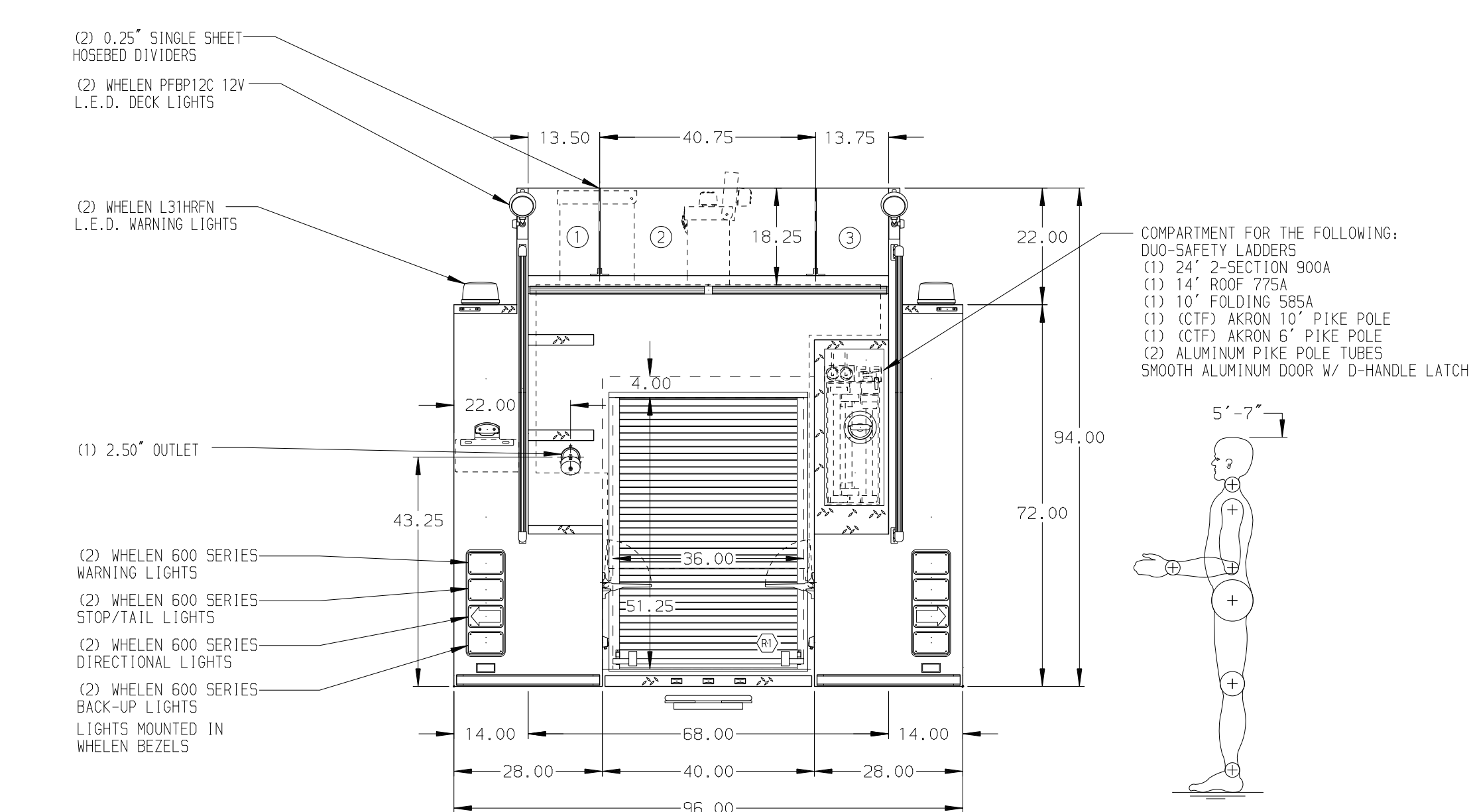


- HOSEBED CAPACITIES
- ① 500' OF 2.50" D.J. HOSE
  - ② 1000' OF 5.00" D.J. HOSE
  - ③ 500' OF 2.50" D.J. HOSE



ALUMINUM BODY

NOTE  
DIMENSIONS SHOWN ARE APPROXIMATE AND ARE SUBJECT TO MINOR DEVIATIONS AS MAY OCCUR OR BE NECESSARY IN CONSTRUCTION. MINOR DETAILS NOT SHOWN.

		JOB NO.	31079
		SCALE	DATE
<b>MANUFACTURING INC.</b>		DRAWN BY	RWI
		CHECKED BY	CAG
TITLE 1500-D-1000P, 975 GAL WATER W/ 25 GAL FOAM, 152" PUMPER BODY, SIDE CONTROL, LADDERS BESIDE TANK. FOR PIERCE FIELD UNIT BRADENTON, FLORIDA		SHEET SIZE	SHEET NO.
		DWG NO.	1 OF 1
DWG NO. 31079AD			

CHASSIS DATA	TITLE	1500-D-1000P, 975 GAL WATER W/ 25 GAL FOAM, 152" PUMPER BODY, SIDE CONTROL, LADDERS BESIDE TANK.
MAKE	FOR	PIERCE FIELD UNIT
PIERCE		BRADENTON, FLORIDA
MODEL	DWG NO.	31079AD
SABER FR	REV	
	DATE	
	BY	
	CH	