

# Pumper, PUC BODY

Pumper, PUC, Aluminum

## CHASSIS

Enforcer Chassis, PUC

## CHASSIS AXLE, FRONT, CUSTOM

18,000 Lb Dana Axle

## AXLE, REAR

27,000 Lb Dana Axle

## ENGINE

450 HP Cummins L9 Engine

## TRANSMISSION

Allison 5th Gen, 3000 EVS P

## BUMPER

16" Extended Stainless Steel

## CAB

7010 Enforcer Cab, PUC

## BODY

### WATER TANK

750 Gallon Poly Water Tank

### COMPT, PUMPER, REAR

40.50" FF RollUp Rear Compt w/Tailboard, PUC

### COMPT, PUMPER, DRIVER SIDE

177" RollUp Full Height & Depth Front & Rear, PUC

### COMPT, PUMPER PASS. SIDE

177" RollUp Full Height & Depth Front & Rear, PUC

## FIRE SUPPRESSION PUMPHOUSE

Control Zone, PUC

### PUMP

1500 GPM Pierce PUC

### CROSSLAYS, 1.50"

(2) 1.50", Poly Trays, 200"

### CROSSLAYS, 2.50"

2.50" CrossLay Not Required

### GENERATOR

Generator Not Required

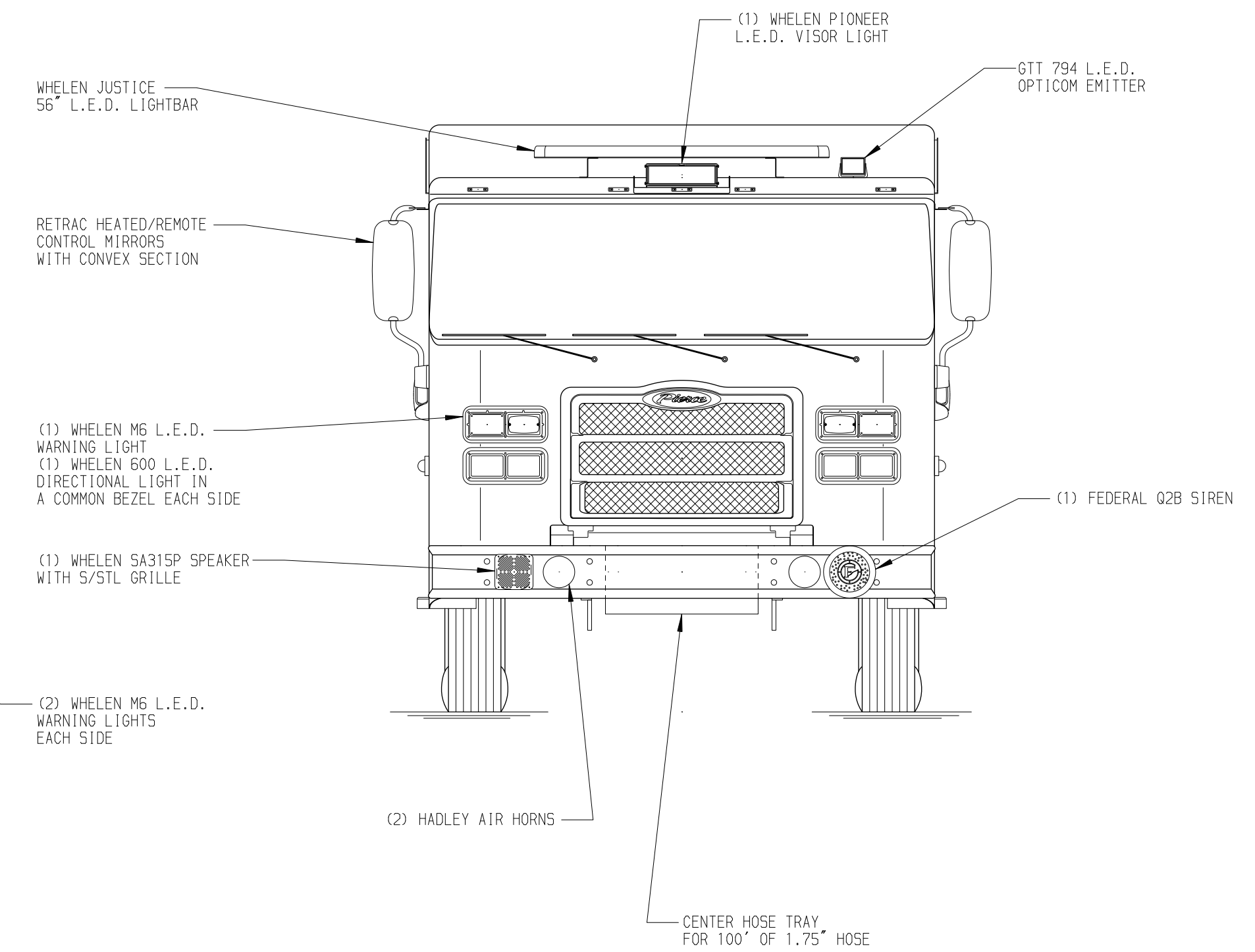
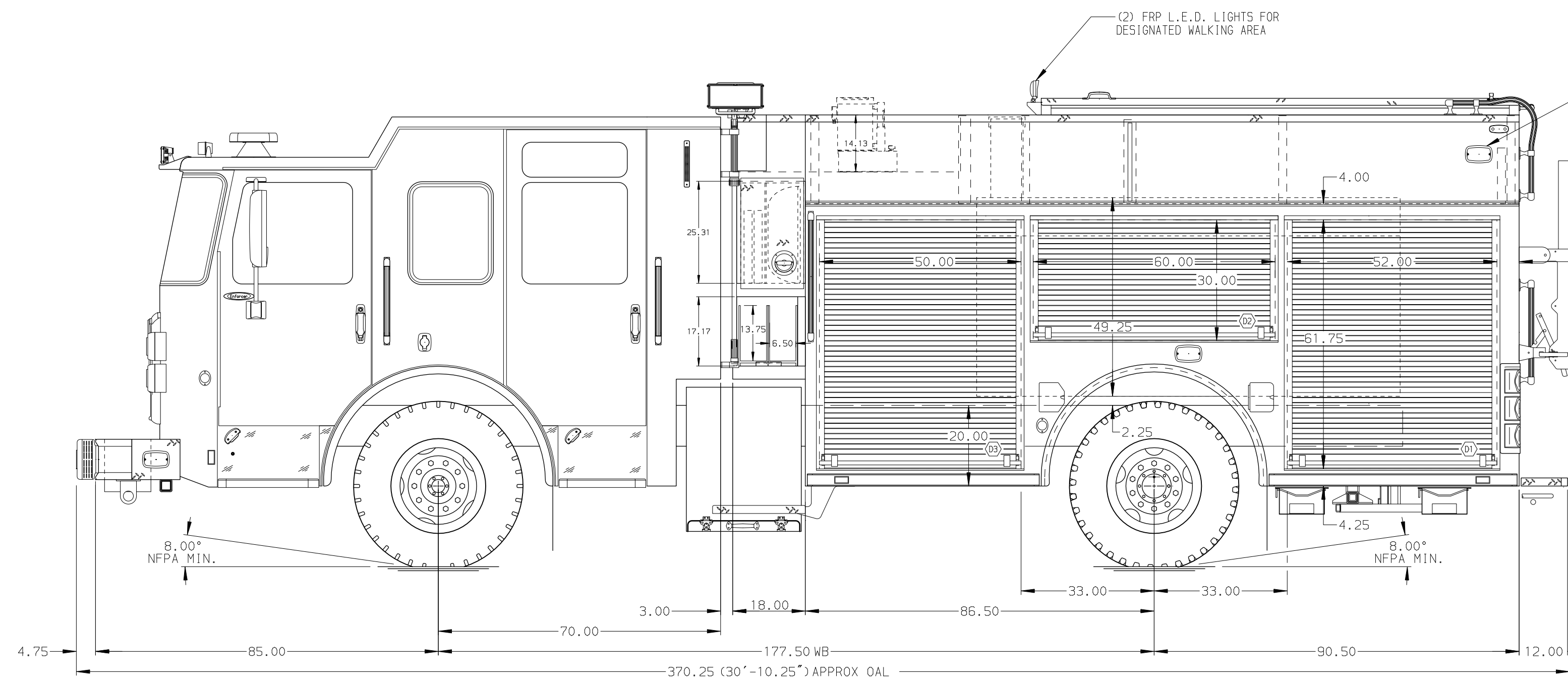
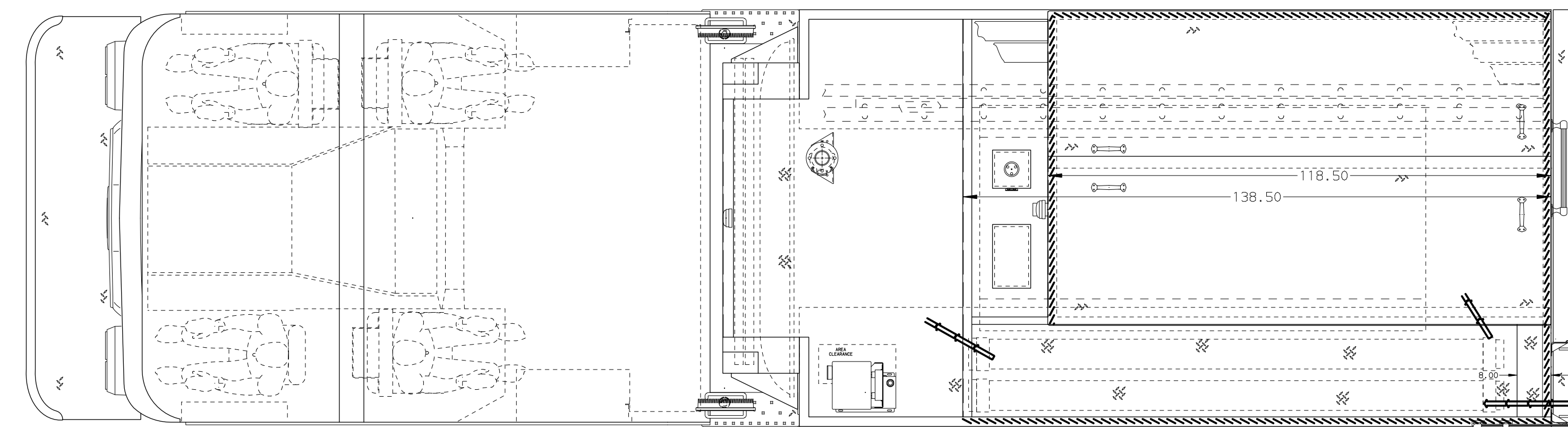
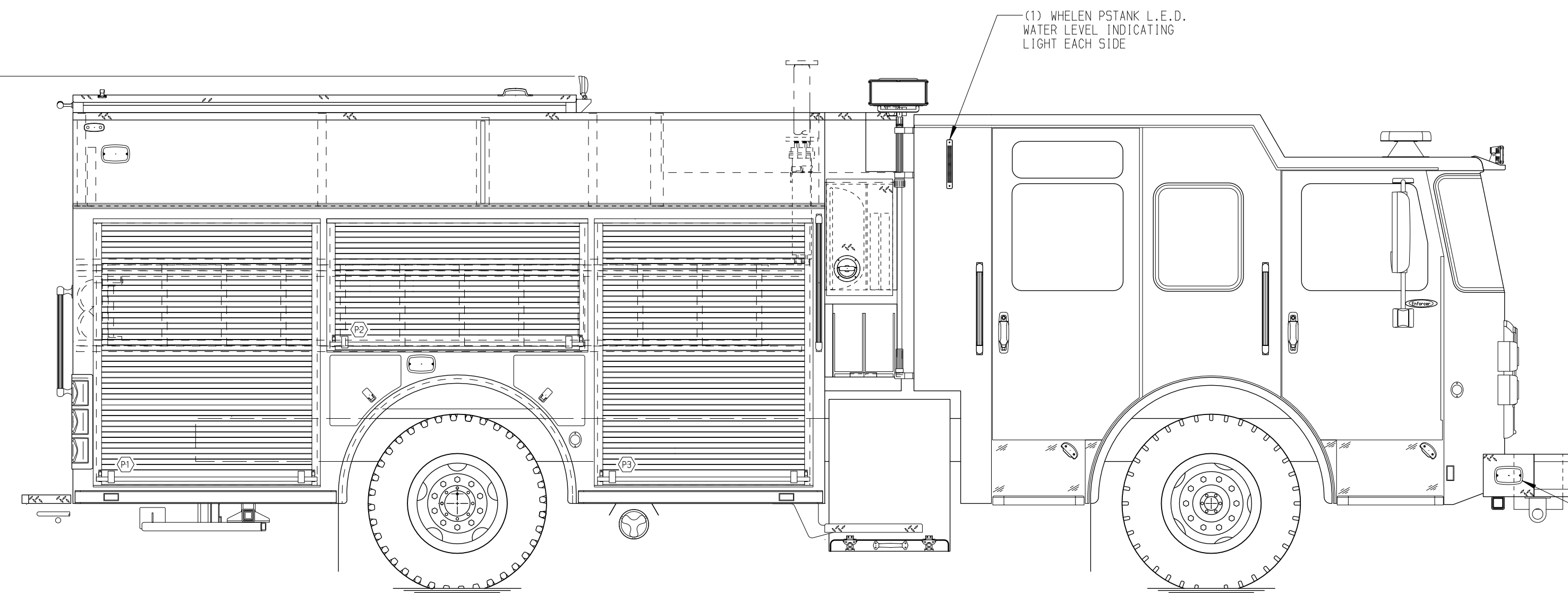
### Foam System

Husky 3 Single Agent Foam System

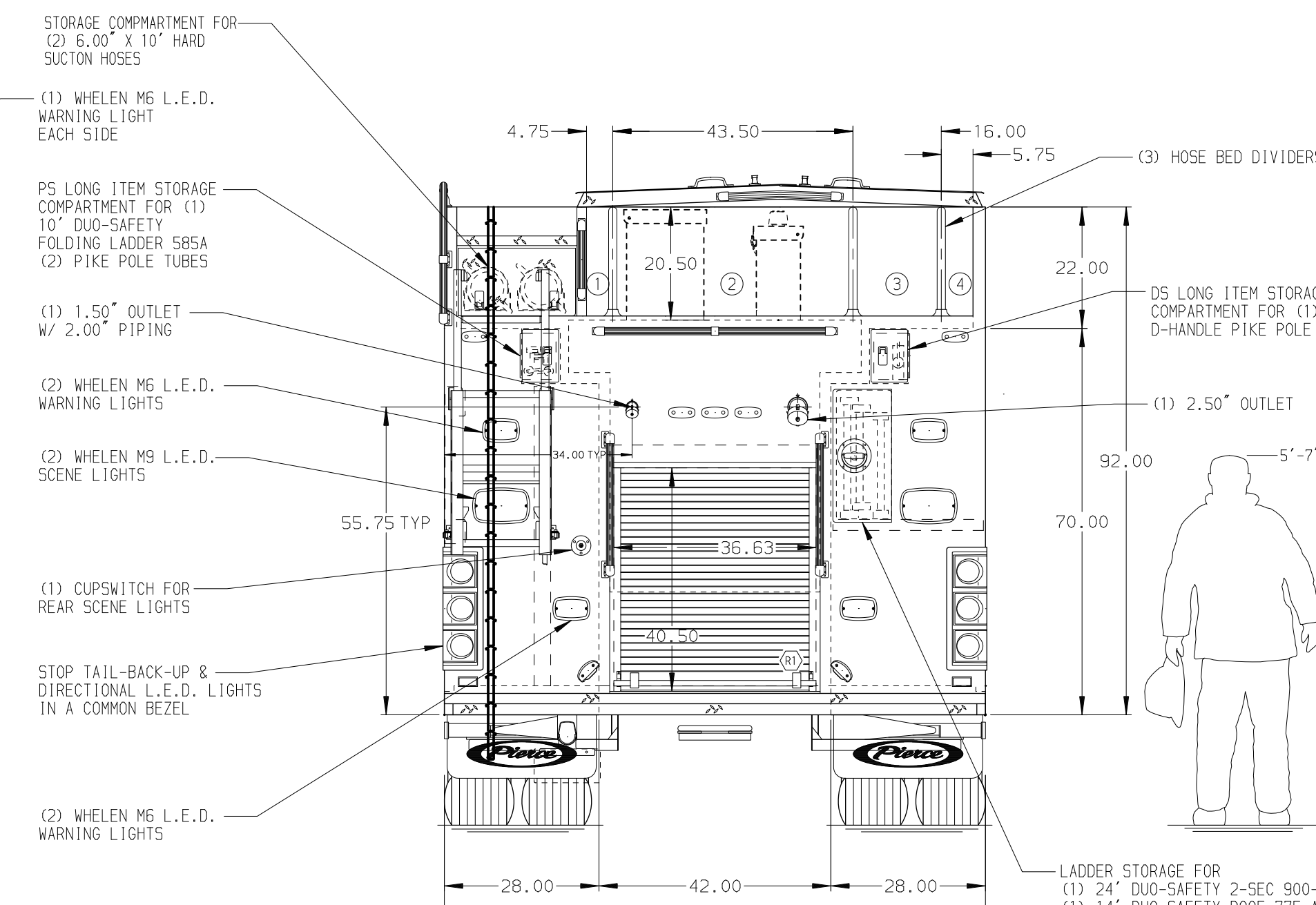
### Foam Cell

20 Gallon Foam Cell, Not Reduced Water, PUC

125.00  
(10'-5")  
APPROX  
O.A.H.



HOSEBED CAPACITY	
BED 1	200' OF 1.75" D.J. POLY HOSE
BED 2	800' OF 5.00" D.J. POLY HOSE
BED 3	500' OF 2.50" D.J. POLY HOSE
BED 4	150' OF 2.50" D.J. POLY HOSE



**NOTE**  
DIMENSIONS SHOWN ARE APPROXIMATE AND ARE SUBJECT TO MINOR DEVIATIONS AS MAY OCCUR OR BE NECESSARY IN CONSTRUCTION. MINOR DETAILS NOT SHOWN.

- ONE 1.50 OUTLET WITH 2.00 PIPING AND SWIVEL LOCATED IN CENTER BUMPER TRAY
- SHORELINE RECEPTACLE WITH KUSSMAUL SUPER AUTO-EJECT LOCATED ON DRIVER SIDE OF THE CAB
- AIR INLET WITH DISCONNECT COUPLING IN THE DRIVER SIDE STEPWELL
- BATTERY CHARGER LOCATED IN PUC PLUMBING AREA
- BATTERY CHARGE INDICATOR LOCATED ON THE DRIVER SIDE SEAT RISER
- TEN ADJUSTABLE SHELVES LOCATED PER SHOP ORDER
- TWO FLOOR MOUNTED SLIDE-OUT TRAYS LOCATED PER SHOP ORDER
- ONE SWING-OUT TOOLBOARD LOCATED PER SHOP ORDER
- ONE TILTING SLIDE-OUT TRAY LOCATED PER SHOP ORDER

REV	DATE	BY	CH	ENFORCER
25APR17	COL	MSA		PIERCE
29MAR17	COL	MSA		PIERCE

		JOB NO.	31127
		SCALE	1:24
<b>Pierce MANUFACTURING INC.</b>		TITLE	Pierce Pumper Approval Drawing
		MAKE	PIERCE
<b>FOR</b>		CHECKED BY	JGO
		DATE	03FEB17
<b>DWG NO.</b>		SHEET SIZE	D
		SHEET NO.	1 OF 1

31127AD