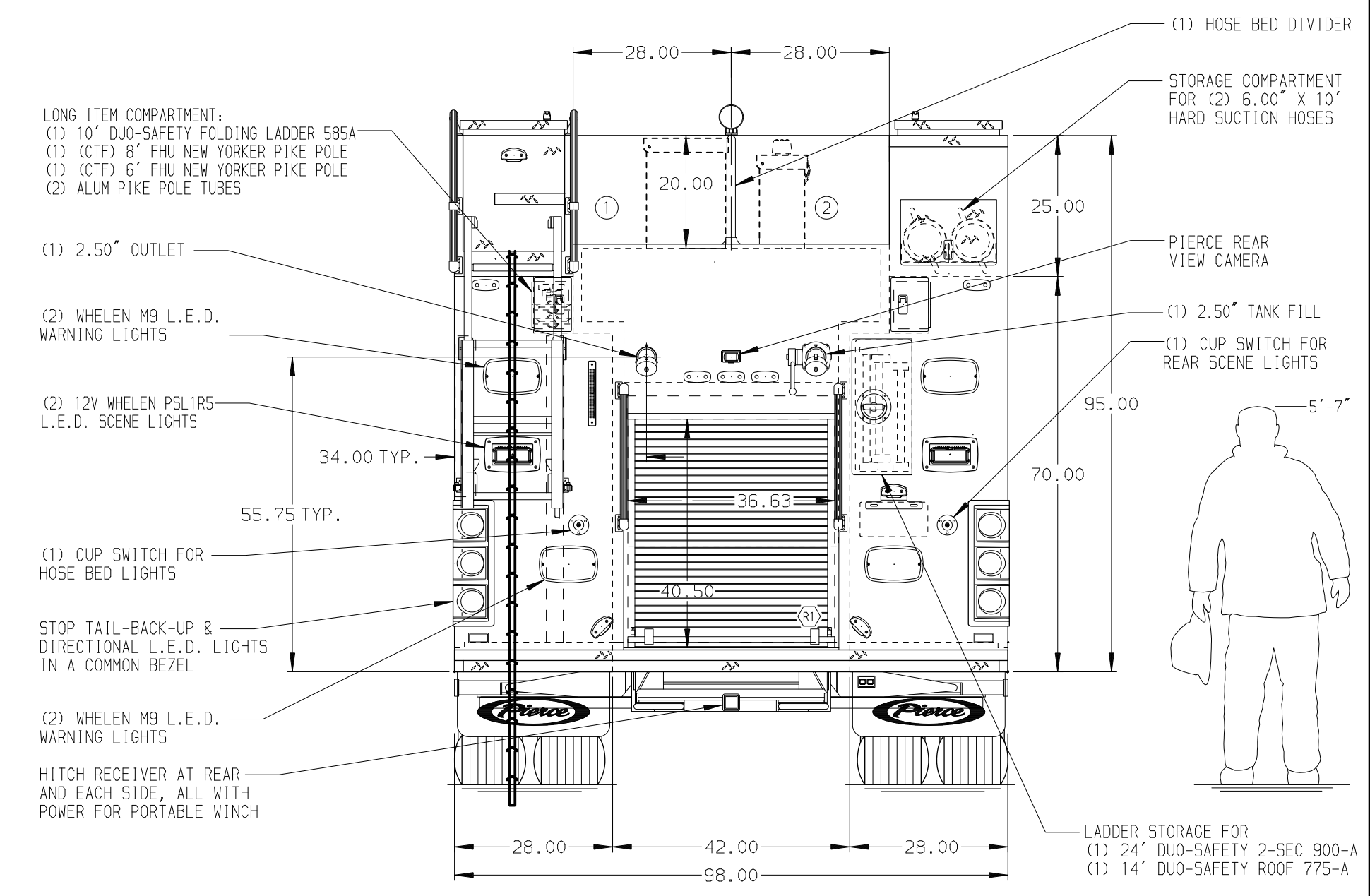
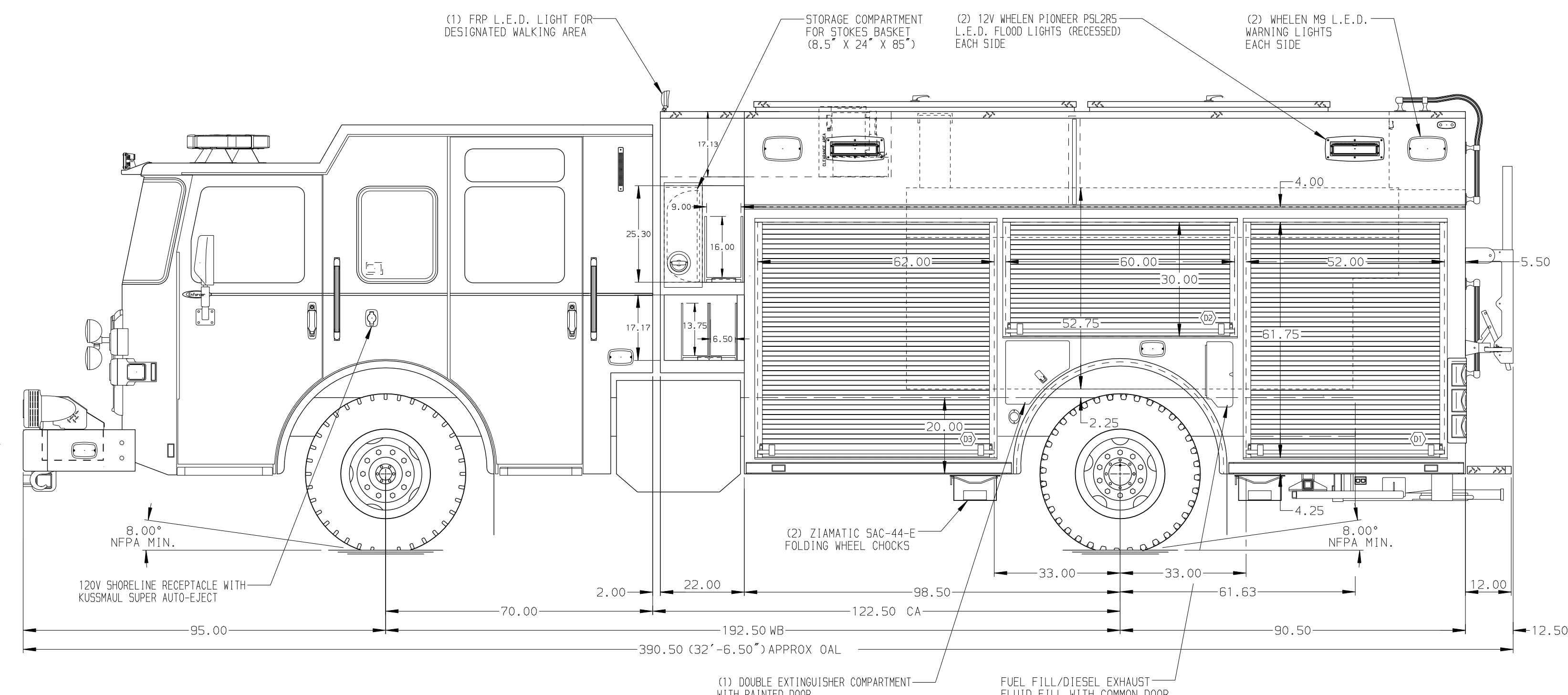
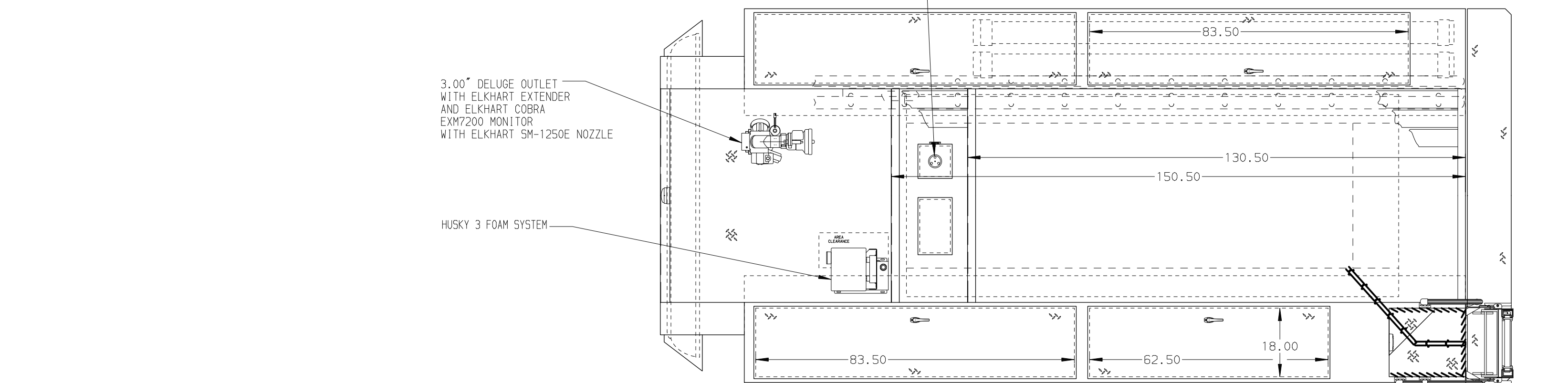


HOSEBED CAPACITY

BED 1
500' OF 5.00" LDH HOSE

BED 2
200' OF 2.50" D.J. POLY HOSE



ALUMINUM BODY

SIDE ROLL & FRONTAL IMPACT PROTECTION

NOTE
DIMENSIONS SHOWN ARE APPROXIMATE AND ARE SUBJECT TO MINOR DEVIATIONS AS MAY OCCUR OR BE NECESSARY IN CONSTRUCTION. MINOR DETAILS NOT SHOWN.

- BATTERY CHARGER LOCATED IN COMPARTMENT D3
- BATTERY CHARGER INDICATOR DISPLAYED THROUGH D5 CAB WINDOW
- TWO SWING-OUT ALUMINUM TOOLBOARDS IN D2
- ONE 120V DUPLEX RECEPTACLE LOCATED IN P3 ON THE TANK WALL
- ONE FLOOR MOUNTED SLIDE-OUT TRAY IN P1
- ADJUSTABLE FULL WIDTH/DEPTH SHELVES TWO IN P1 AND P3 AND ONE IN D1 AND R1
- ONE VERTICAL PARTITION IN D1
- ONE SLIDE-OUT TOOLBOARD IN D3
- ONE DUPLEX RECEPTACLE IN THE EMS CABINET
- ONE HORIZONTAL PARTITION IN D3

- ONE VERTICAL PARTITION BETWEEN D1-R1 AND P1-R1
- HORIZONTAL EQUIPMENT MOUNTING TRACKS TWO SETS OF TRACKS IN D1 AND ONE SET OF TRACKS IN P2

REV	DATE	BY	CH	ENFORCER
24JUN17	LST	TWH		MAKE
24MAY17	LST	TWH		PIERCE
31MAR17	LST	CCA		MODEL

		JOB NO.	31132
		SCALE	DATE
TITLE	1500-D-1000P 970 GAL OF WATER W/ 30 GAL FOAM CELL 189" PUC RESCUE, (3) X-LAYS, LADDERS THRU BODY	DRAWN BY	LST
FOR	HUNTERTOWN FIRE DEPARTMENT HUNTERTOWN, INDIANA	CHECKED BY	CCA
DWG NO.	31132AD	SHEET SIZE	SHEET NO.
		D	1 OF 1