

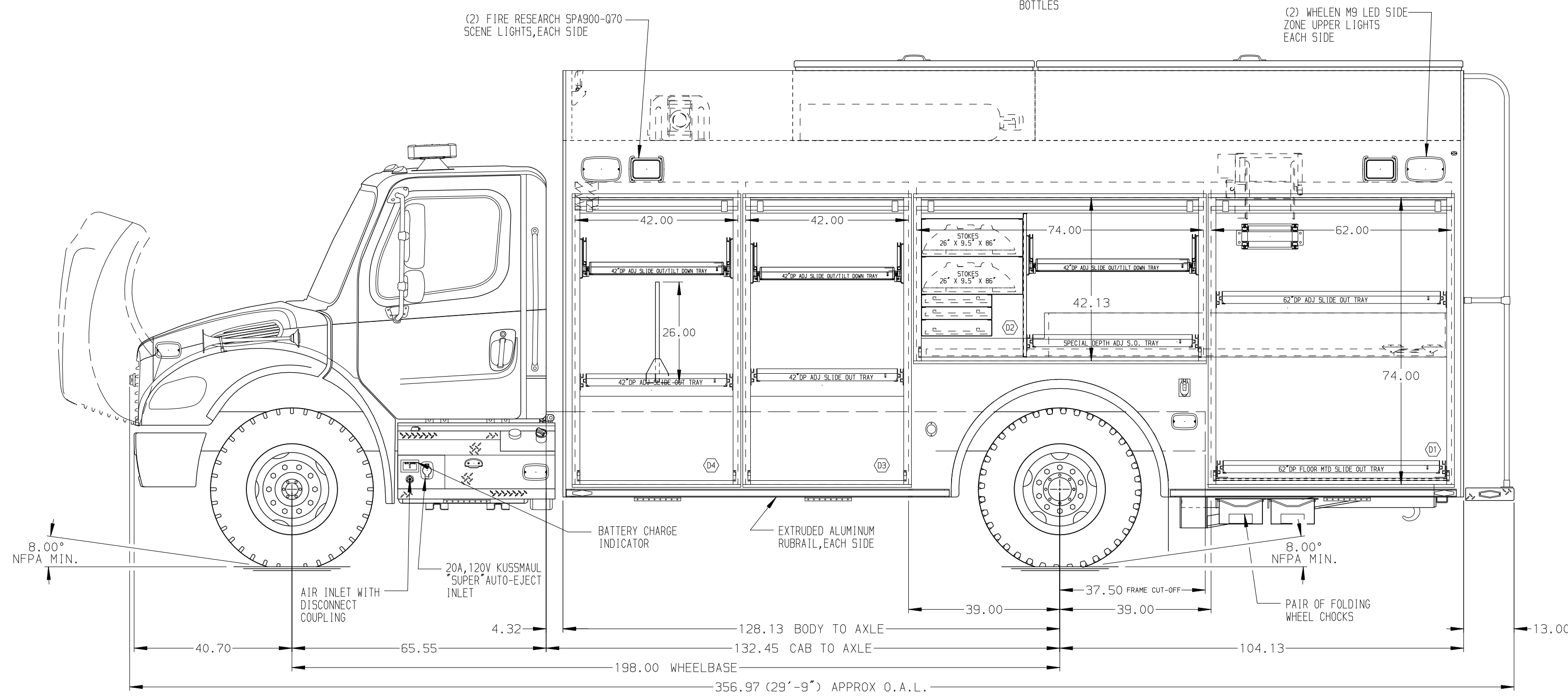
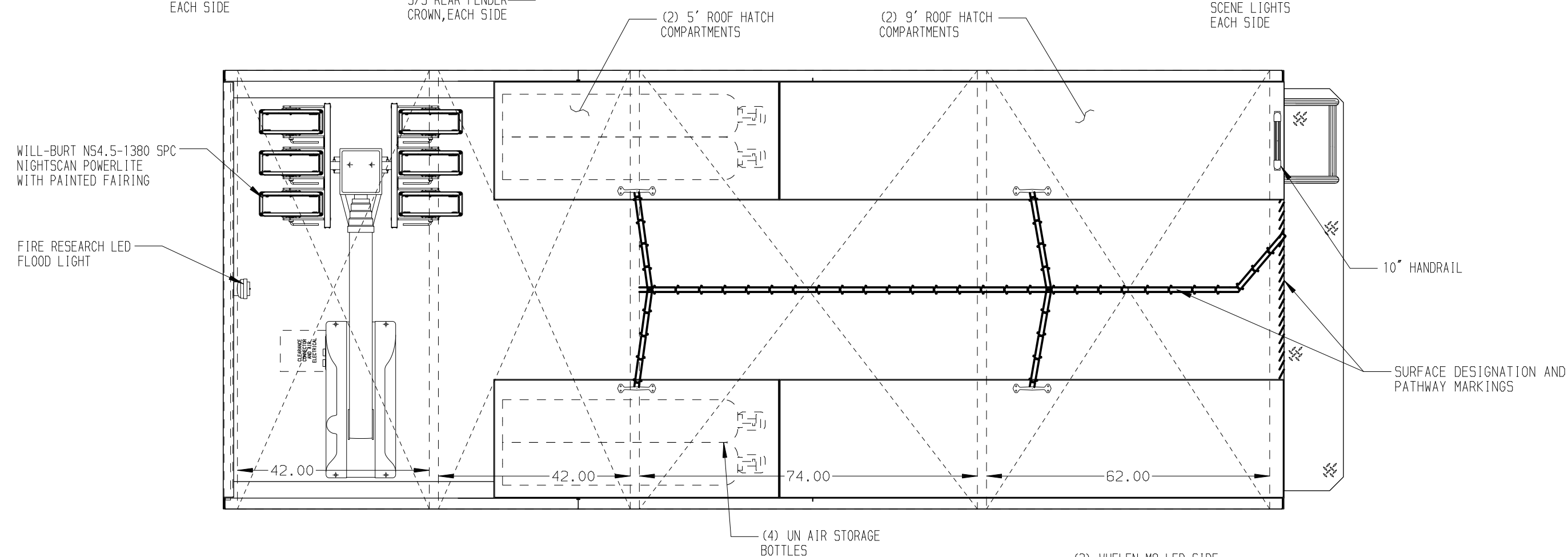
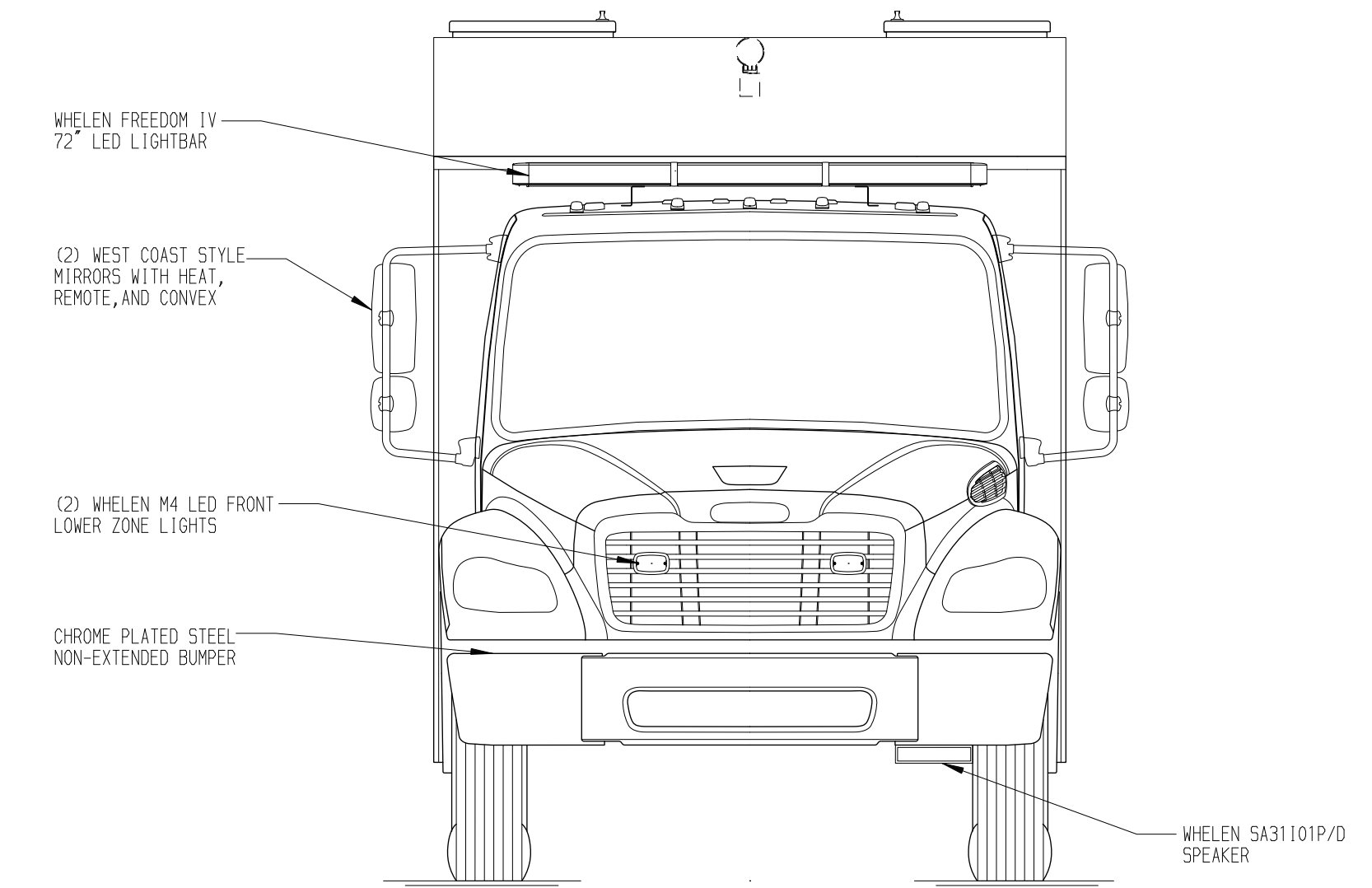
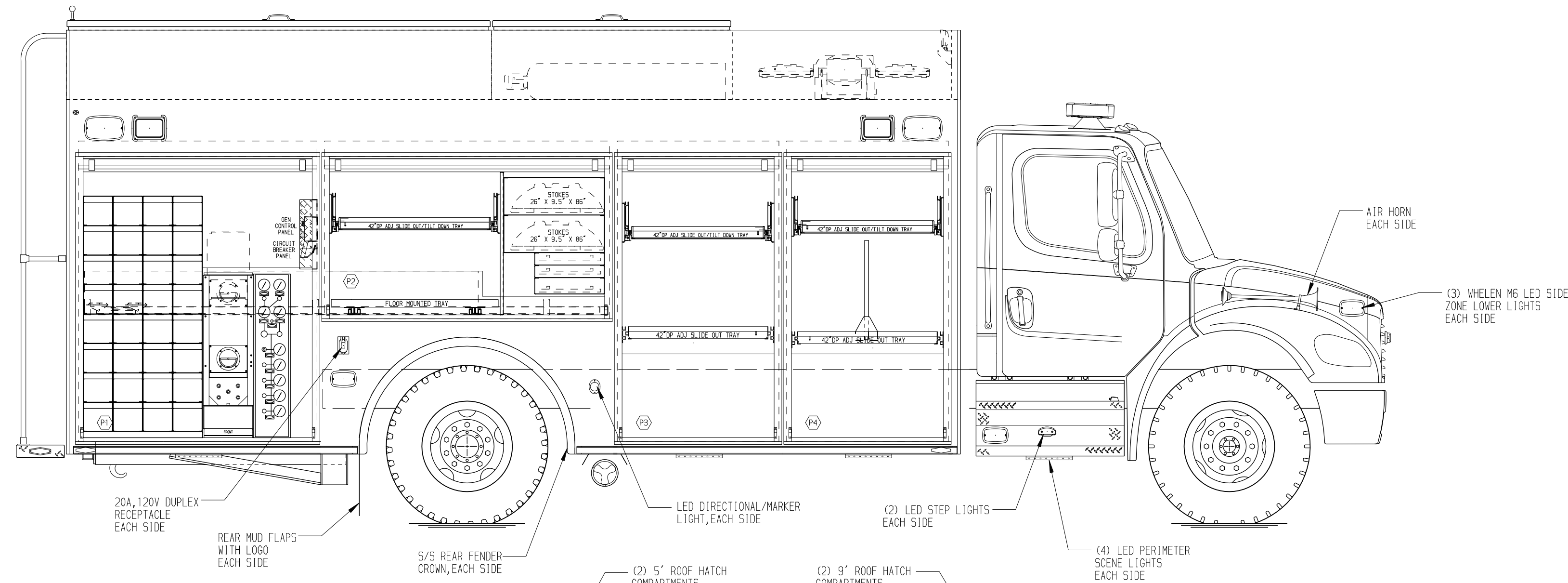
**PASSENGER'S SIDE COMPARTMENTS CONTAIN THE FOLLOWING:**

- COMPARTMENT P1 CONTAINS:  
 - (1) RACK FOR 32 SCBA BOTTLES  
 - (1) "SPACESAVER" 2-BOTTLE FILL ENCLOSURE  
 - (1) BREATHING AIR SYSTEM CONTROL PANEL  
 - (1) CIRCUIT BREAKER PANEL  
 - (1) GENERATOR METER PANEL  
 - (1) NIGHT SCAN CONTROLLER

- COMPARTMENT P2 CONTAINS:  
 - (1) STD DEPTH FLOOR MOUNTED TRAY  
 - (1) VERTICAL COMPARTMENT DIVIDER  
 - (1) RACK FOR 2 STOKES BASKETS  
 - (1) RACK FOR 3 BACKBOARDS

- COMPARTMENT P3 CONTAINS:  
 - (1) 42" DP ADJ SLIDE OUT TRAY  
 - (1) 42" DP ADJ SLIDE OUT/TILT TRAY

- COMPARTMENT P4 CONTAINS:  
 - (1) 42" DP ADJ SLIDE OUT TRAY W/TOOLBOARD  
 - (1) 42" DP ADJ SLIDE OUT/TILT TRAY



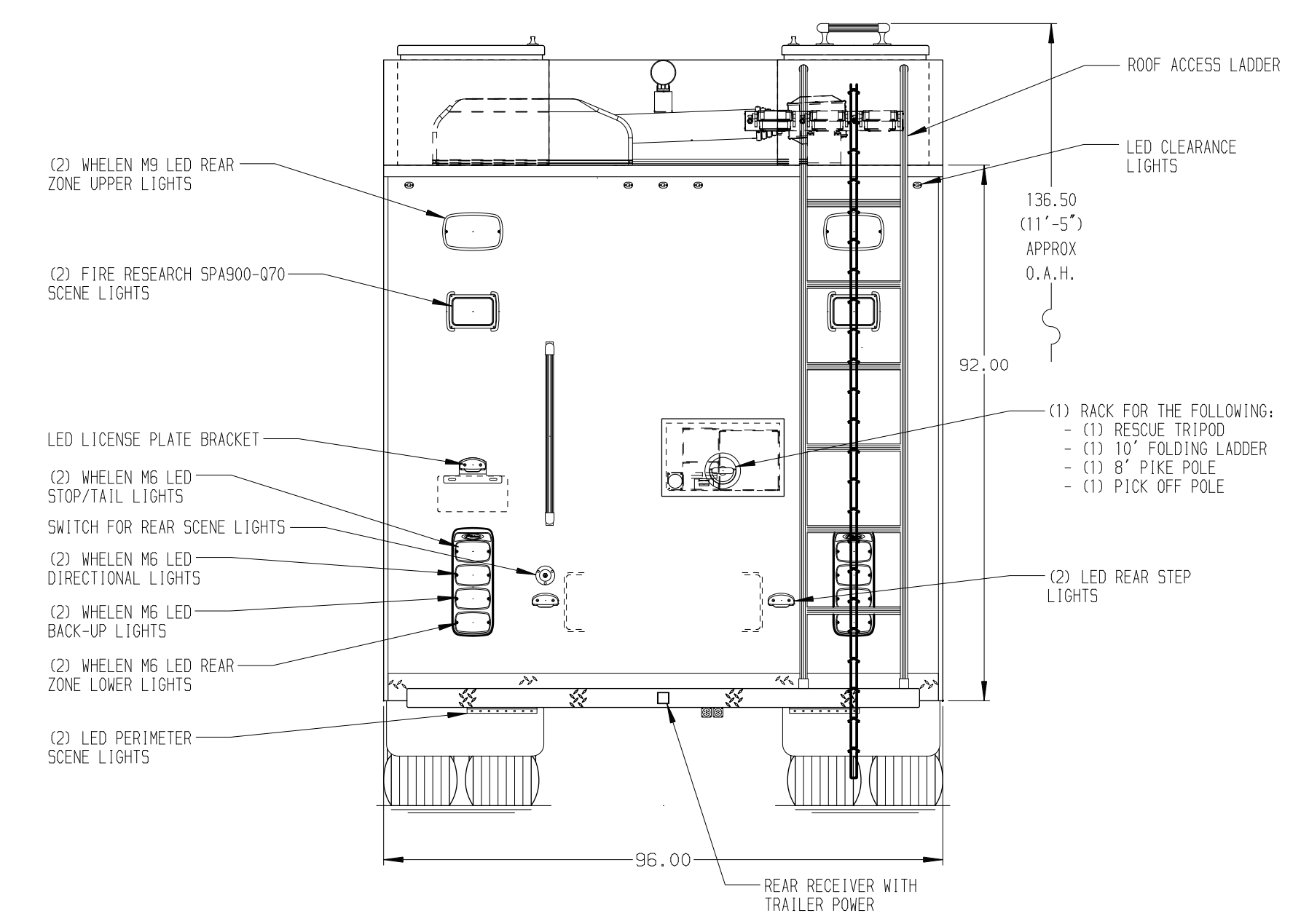
**DRIVER'S SIDE COMPARTMENTS CONTAIN THE FOLLOWING:**

- COMPARTMENT D1 CONTAINS:  
 - (1) 62" DP ADJ SLIDE OUT TRAY  
 - (1) 62" DP FLOOR MOUNTED TRAY  
 - (1) ELECTRIC CORD REEL WITH 200' OF 10/3 BLACK CORD

- COMPARTMENT D2 CONTAINS:  
 - (1) SPECIAL DEPTH ADJ SLIDE OUT TRAY  
 - (1) SPECIAL SIZE ADJ SLIDE OUT/TILT TRAY  
 - (1) VERTICAL COMPARTMENT DIVIDER  
 - (1) RACK FOR 2 STOKES BASKETS  
 - (1) RACK FOR 3 BACKBOARDS

- COMPARTMENT D3 CONTAINS:  
 - (1) 42" DP ADJ SLIDE OUT TRAY  
 - (1) 42" DP ADJ SLIDE OUT/TILT TRAY

- COMPARTMENT D4 CONTAINS:  
 - (1) KUSSMAUL PUMP PLUS 1000 CHARGER  
 - (1) 42" DP ADJ SLIDE OUT TRAY W/TOOLBOARD  
 - (1) 42" DP ADJ SLIDE OUT/TILT TRAY



**NOTE**  
 DIMENSIONS SHOWN ARE APPROXIMATE AND ARE SUBJECT TO MINOR DEVIATIONS AS MAY OCCUR OR BE NECESSARY IN CONSTRUCTION. MINOR DETAILS NOT SHOWN.

- NOTES:**  
 1. AMOR DUAL LED STRIP LIGHTS LOCATED IN ALL BODY COMPARTMENTS  
 2. ONAN 15kW SINGLE PHASE PTO DRIVEN GENERATOR LOCATED BETWEEN THE FRAME RAILS

CLEAR DOOR WIDTH KEY		CHASSIS DATA	
AMOR ROLL UP DOORS:	-1 7/8"	DATE	06MAY17
CURTAIN ROLL UP DOORS:	-2 3/4"	BY	ALZ
PIERCE DOUBLE LAP DOORS:	-4 1/4"	DATE	18APR17
PIERCE LIFT-UP LAP DOORS:	-1 1/2"	BY	DHE
(EX: 60" F-F = 1 7/8" = 58 1/8" CLEAR)	(F-F) = FRAME TO FRAME	DATE	23FEB17
		BY	DHE
		CH	AZU
		MODEL	FREIGHTLINER
		REV	M2-106

		JOB NO.	31144
		SCALE	1:24
<b>ENCORE RESCUE VEHICLE</b> 42.42.74.62		TITLE	ENCORE RESCUE VEHICLE
		DATE	
MARATHON GALVESTON BAY REFINERY MARATHON PETROLEUM CORP.		DRAWN BY	DHE
		DATE	08FEB17
ALLEN HUELSEBUSCH		CHECKED BY	AZU
		DATE	09FEB17
31144AD		SHEET SIZE	D
		SHEET NO.	1 OF 1