

**PUMPER BODY**

Medium Aluminum 2nd Gen Pumper

**CHASSIS**

Arrow XT Chassis

**CHASSIS AXLE, FRONT, CUSTOM**

19,500 Lb Meritor Axle

**AXLE, REAR**

27,000 Lb Meritor Axle

**ENGINE**

450 HP Cummins L9 Engine

**TRANSMISSION**

Allison 5th Gen, 3000 EVS P

**BUMPER**

Non Extended Stainless Steel

**CAB**

6710 Arrow XT Cab

**BODY WATER TANK**

1000 Gallon Poly Water Tank

**COMPT, PUMPER, REAR**

51.25" FF RollUp Rear Compt

**COMPT, PUMPER, DRIVER SIDE**

152" Lap Full Height Front & Rear FOLER

**COMPT, PUMPER PASS. SIDE**

152" Lap Full Height Front & Rear FOLER

**FIRE SUPPRESSION PUMPHOUSE**

52" Control Zone Side Mount

**PUMP**

1500 GPM Hale QMAX

**CROSSLAYS, 1.50"**

(2) 1.50" Standard Capacity

**CROSSLAYS, 2.50"**

(1) 2.50" Standard Capacity

**SPEEDLAYS**

Speedlays Not Required

**GENERATOR**

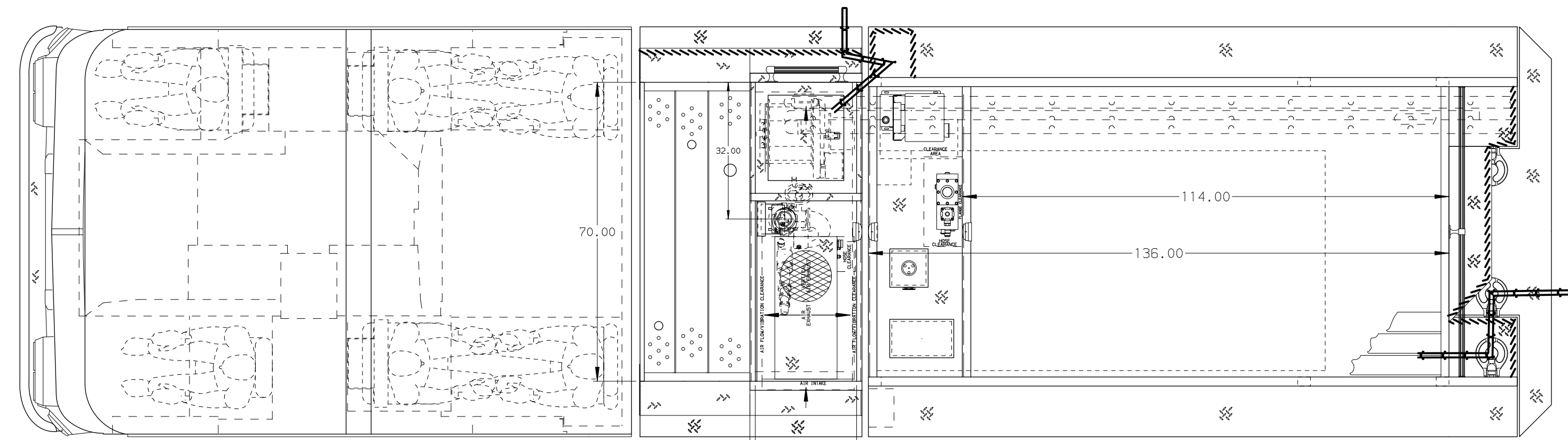
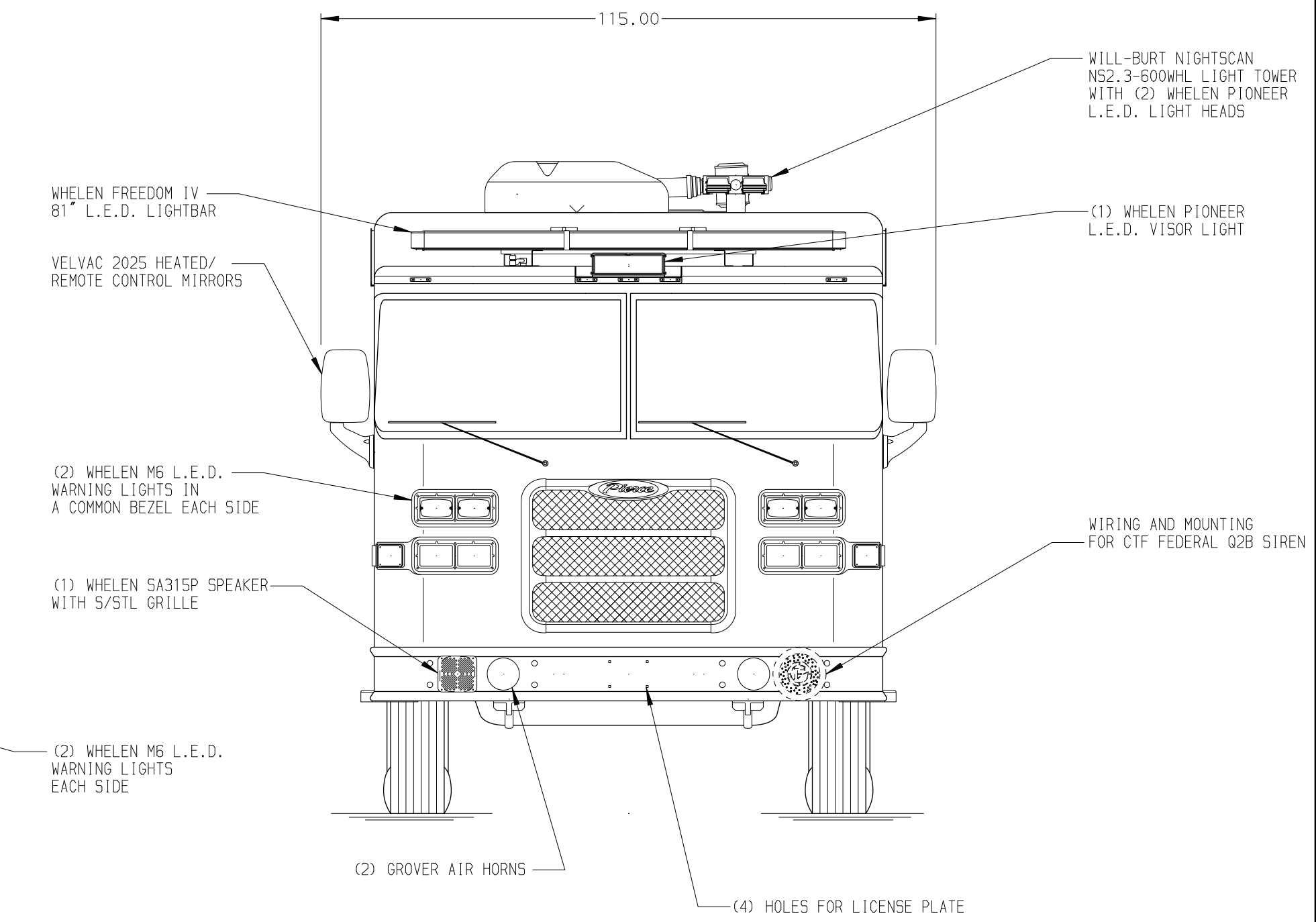
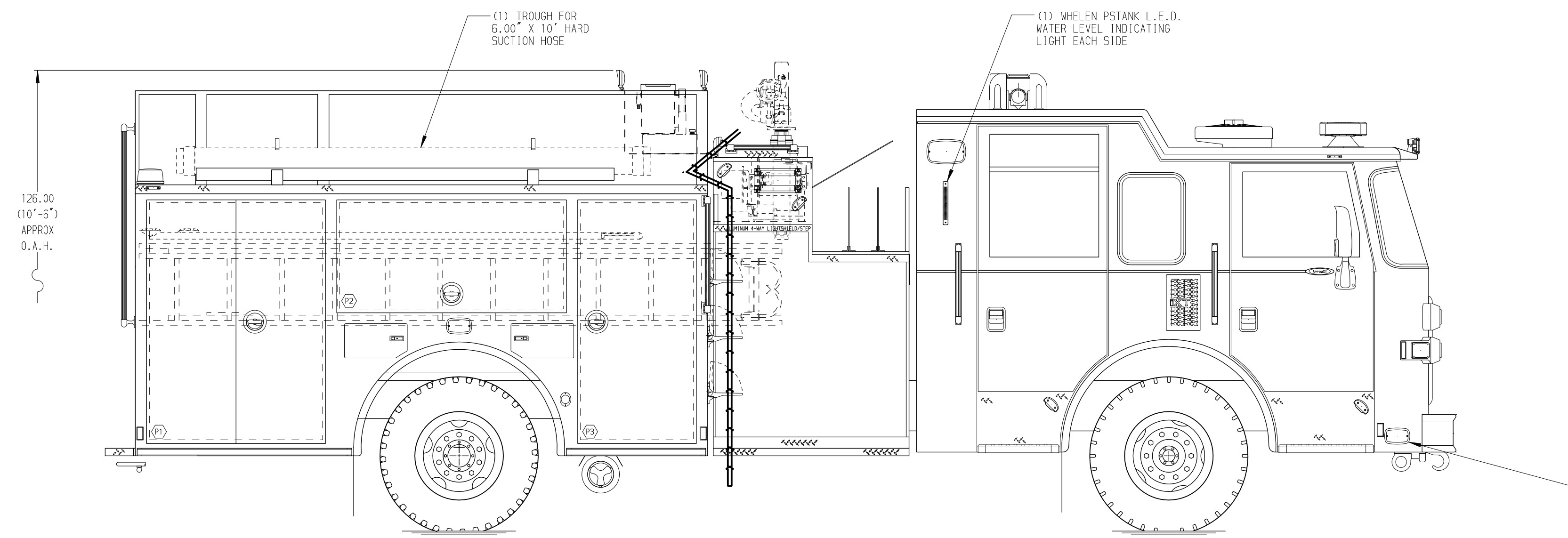
Harrison 10kW MCR Hydraulic Generator

**Foam System**

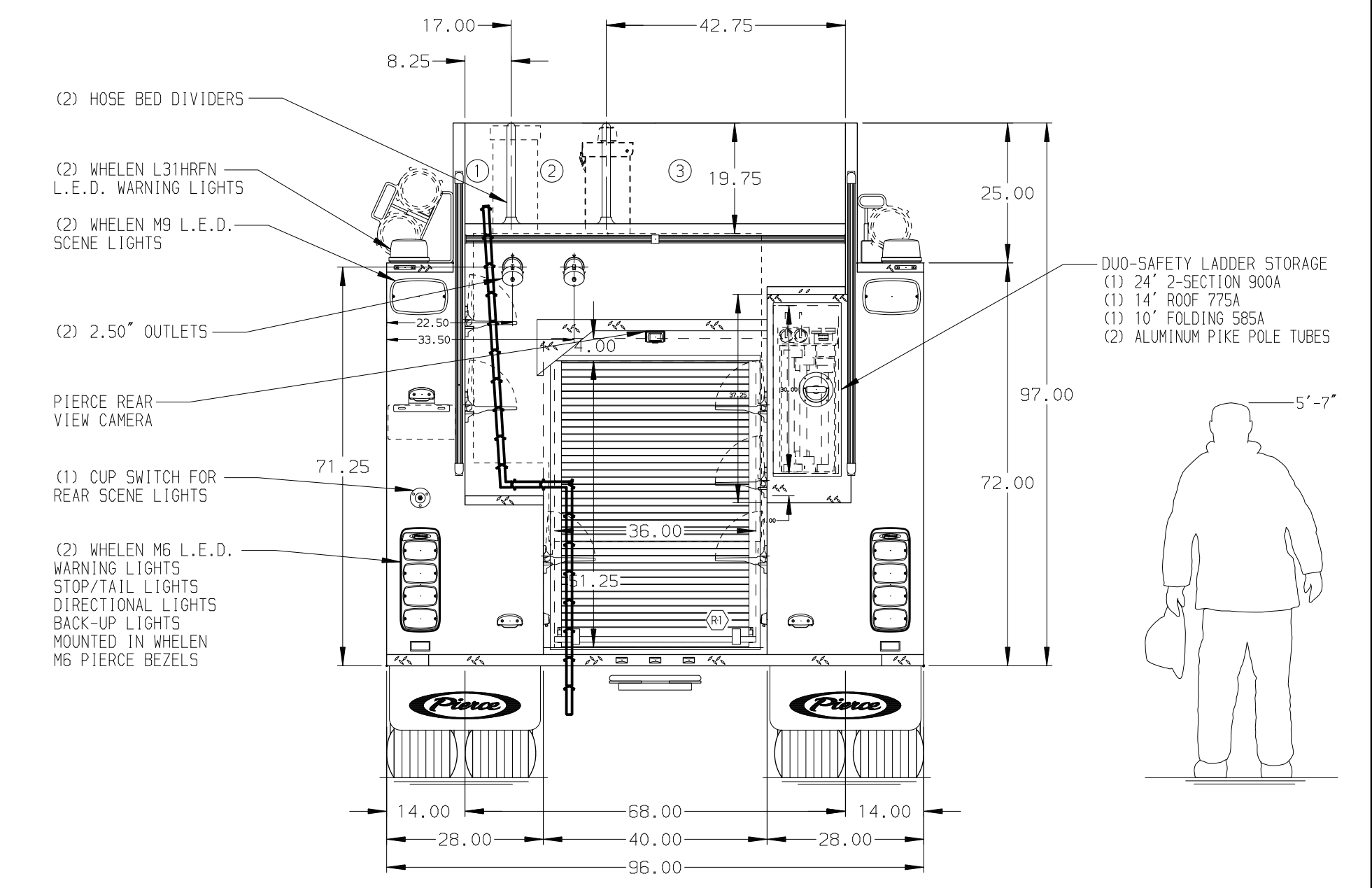
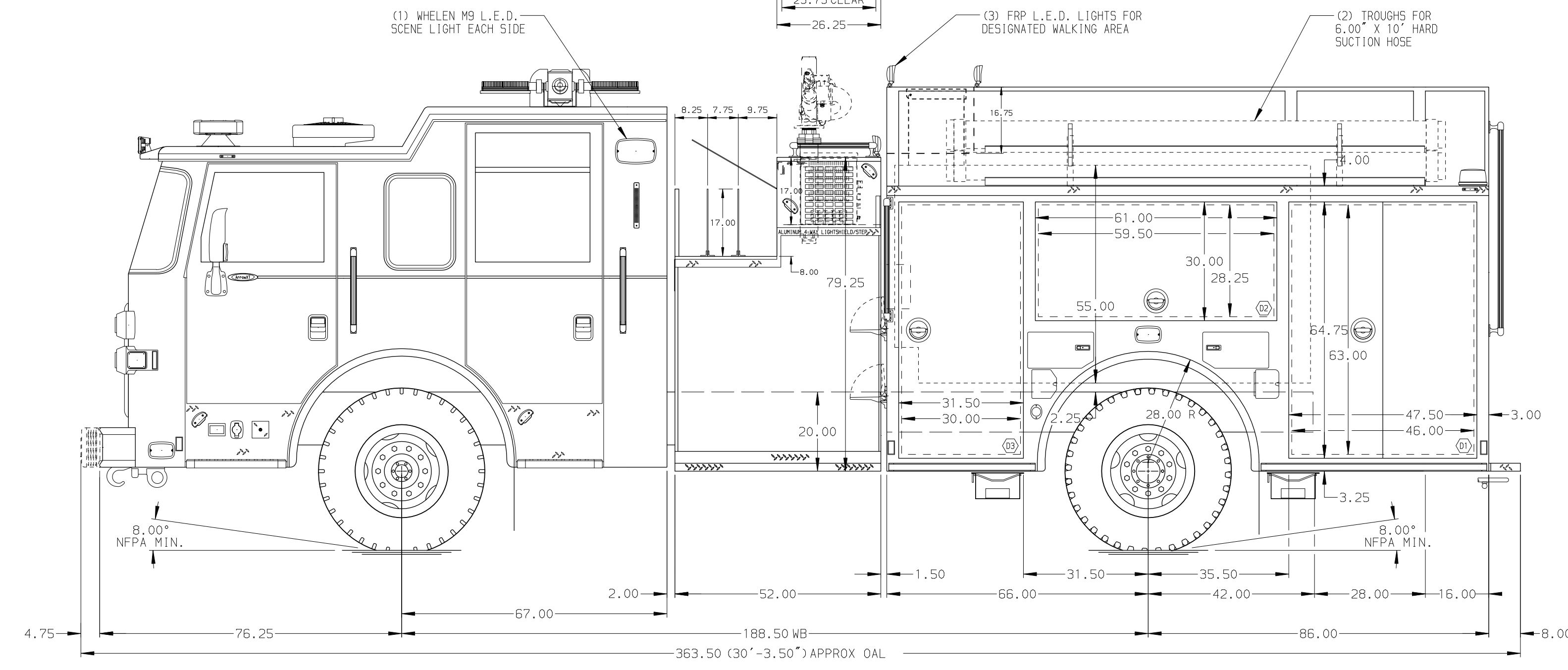
Husky 3 Single Agent Foam System

**Foam Cell**

30 Gallon Foam Cell, Not Reduced Water



HOSEBED CAPACITY	
<b>BED 1</b>	450' OF 1.75" D.J. POLY HOSE
<b>BED 2</b>	600' OF 2.50" D.J. POLY HOSE
<b>BED 3</b>	1000' OF 4.00" D.J. POLY HOSE



MAXIMUM O.A.H. - 126.00" MAXIMUM O.A.L. - 368.00" MAXIMUM O.A.W. - 122.00"

**NOTE**  
DIMENSIONS SHOWN ARE APPROXIMATE AND ARE SUBJECT TO MINOR DEVIATIONS AS MAY OCCUR OR BE NECESSARY IN CONSTRUCTION. MINOR DETAILS NOT SHOWN.

1. AUTOMATIC TIRE CHAINS
2. SHORELINE RECEPTACLE WITH KUSSMANN SUPER AUTO-EJECT LOCATED IN THE DRIVER SIDE STEPWELL
3. AIR INLET WITH DISCONNECT COUPLING IN THE DRIVER SIDE STEPWELL
4. BATTERY CHARGER LOCATED BEHIND DRIVERS SEAT
5. BATTERY CHARGE INDICATOR LOCATED IN THE DRIVER SIDE STEPWELL
6. FOUR ADJUSTABLE SHELVES LOCATED PER SHOP ORDER
7. ONE FLOOR MOUNTED SLIDE-OUT TRAY LOCATED PER SHOP ORDER
8. ONE SWING-OUT TOOLBOARD LOCATED PER SHOP ORDER
9. ONE ZICO SCBA BRACKET LOCATED PER SHOP ORDER
10. ONE SET OF HORIZONTAL EQUIPMENT MOUNTING TRACKS LOCATED PER SHOP ORDER
11. HANNAY CABLE REEL MODEL EF1618-17-18 WITH CAPACITY FOR 200' OF 10/4 CABLE LOCATED IN CARGO AREA
12. CIRCUIT BREAKER PANEL LOCATED PER SHOP ORDER
13. ONE ADJUSTABLE SLIDE-OUT TRAY LOCATED PER SHOP ORDER

REV	DATE	BY	CH	ARROW XT
17APR17	COL	JGO		
15MAR17	COL	JGO		

<b>Pierce MANUFACTURING INC.</b>		JOB NO.	31174
		SCALE	DATE
		DRAWN BY	08FEB17
		CHEKED BY	10FEB17
		SHEET SIZE	SHEET NO.
		D	1 OF 1

TITLE Pierce Pumper Approval Drawing  
FOR Northbridge Fire Department  
DWG NO. 31174AD