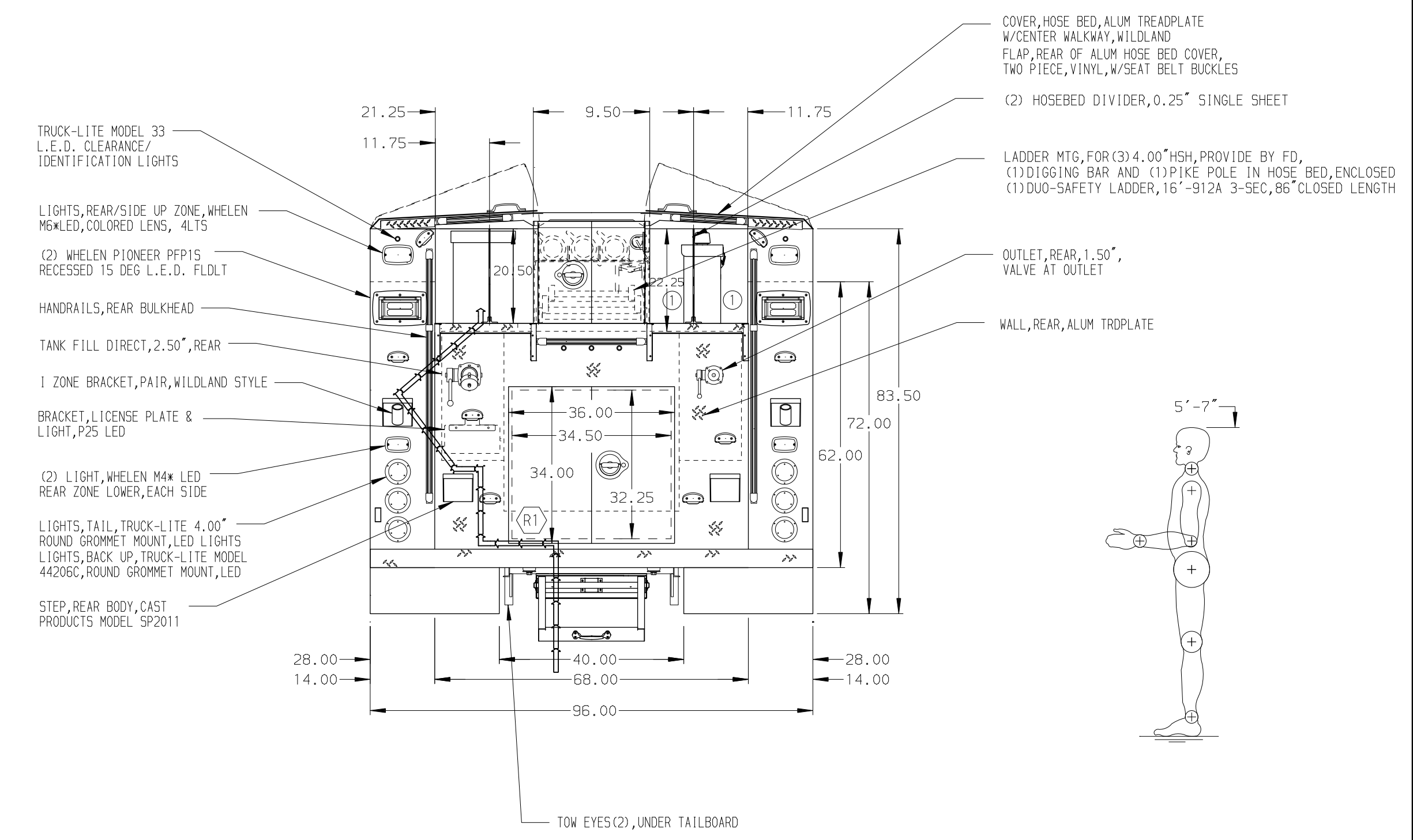
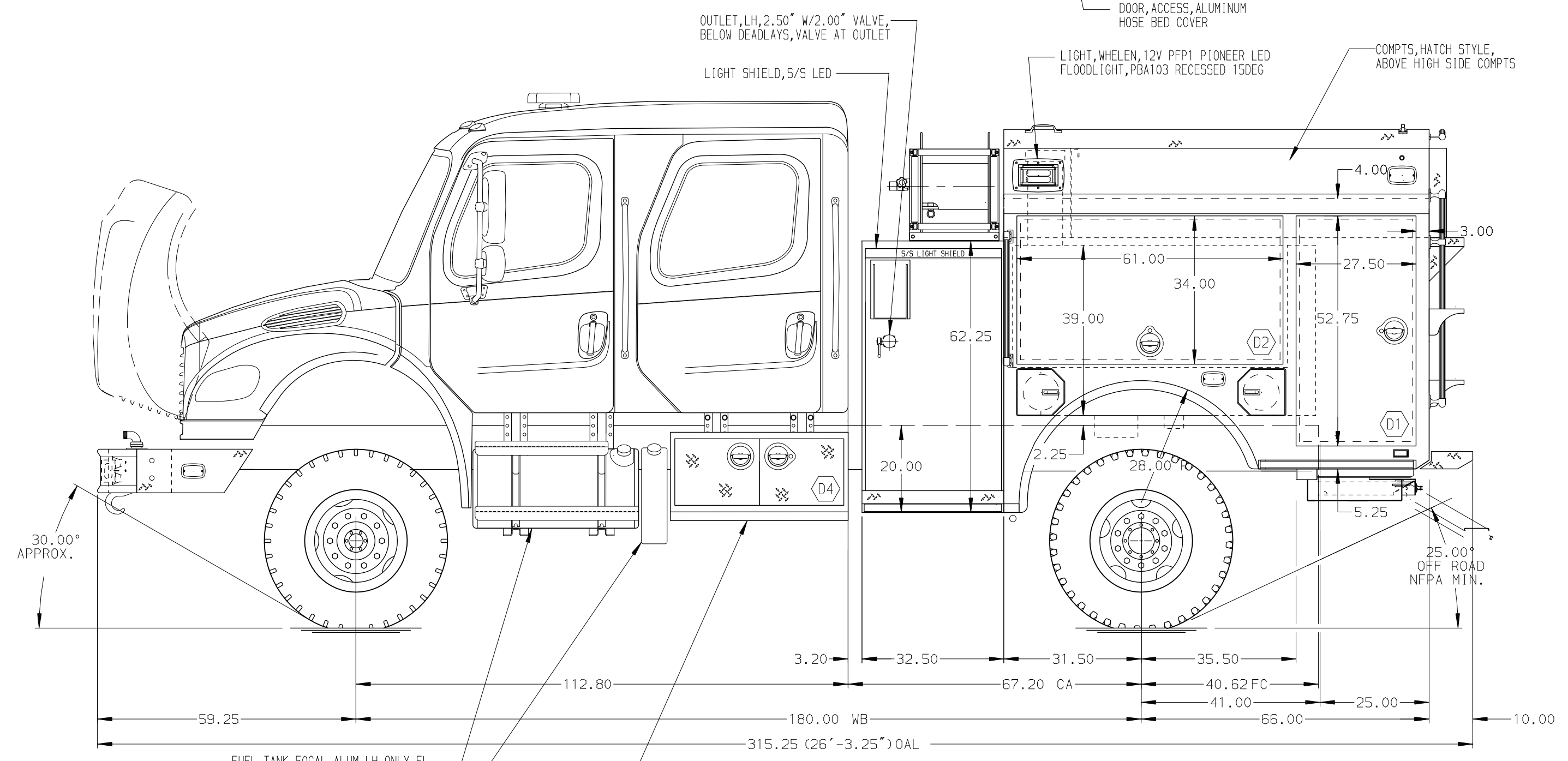


HOSEBED CAPACITIES
 (1) 500' OF 2.50" D.J. POLY HOSE



GALVANNEAL BODY

NOTE
 DIMENSIONS SHOWN ARE APPROXIMATE AND ARE SUBJECT TO MINOR DEVIATIONS AS MAY OCCUR OR BE NECESSARY IN CONSTRUCTION. MINOR DETAILS NOT SHOWN.

		JOB NO.	31195																
		SCALE	1:24																
MANUFACTURING INC.		TITLE	1000-D-500 POLY, 30 FOAM, SHORT BODY, 32.50" SIDE CNTRL (1) DEADLAY W/POLY TRAY, (1) REEL, AUX PUMP, TYPE 3																
		FOR	HOLTVILLE FIRE DEPARTMENT HOLTVILLE, CALIFORNIA																
<table border="1"> <tr> <td>14SEP17</td> <td>JLA</td> <td>NAS</td> <td>MAKE</td> </tr> <tr> <td>04AUG17</td> <td>JLA</td> <td>NAS</td> <td>FL</td> </tr> <tr> <td>24MAR17</td> <td>RWI</td> <td>JAF</td> <td>MODEL M2-106 4 X 4</td> </tr> <tr> <td>REV</td> <td>DATE</td> <td>BY</td> <td>CH</td> </tr> </table>		14SEP17	JLA	NAS	MAKE	04AUG17	JLA	NAS	FL	24MAR17	RWI	JAF	MODEL M2-106 4 X 4	REV	DATE	BY	CH	DWG NO.	31195AD
		14SEP17	JLA	NAS	MAKE														
04AUG17	JLA	NAS	FL																
24MAR17	RWI	JAF	MODEL M2-106 4 X 4																
REV	DATE	BY	CH																
		CHECKED BY	RWI																
		SHEET SIZE	D																
		DATE	16MAR17																
		SHEET NO.	1 OF 1																