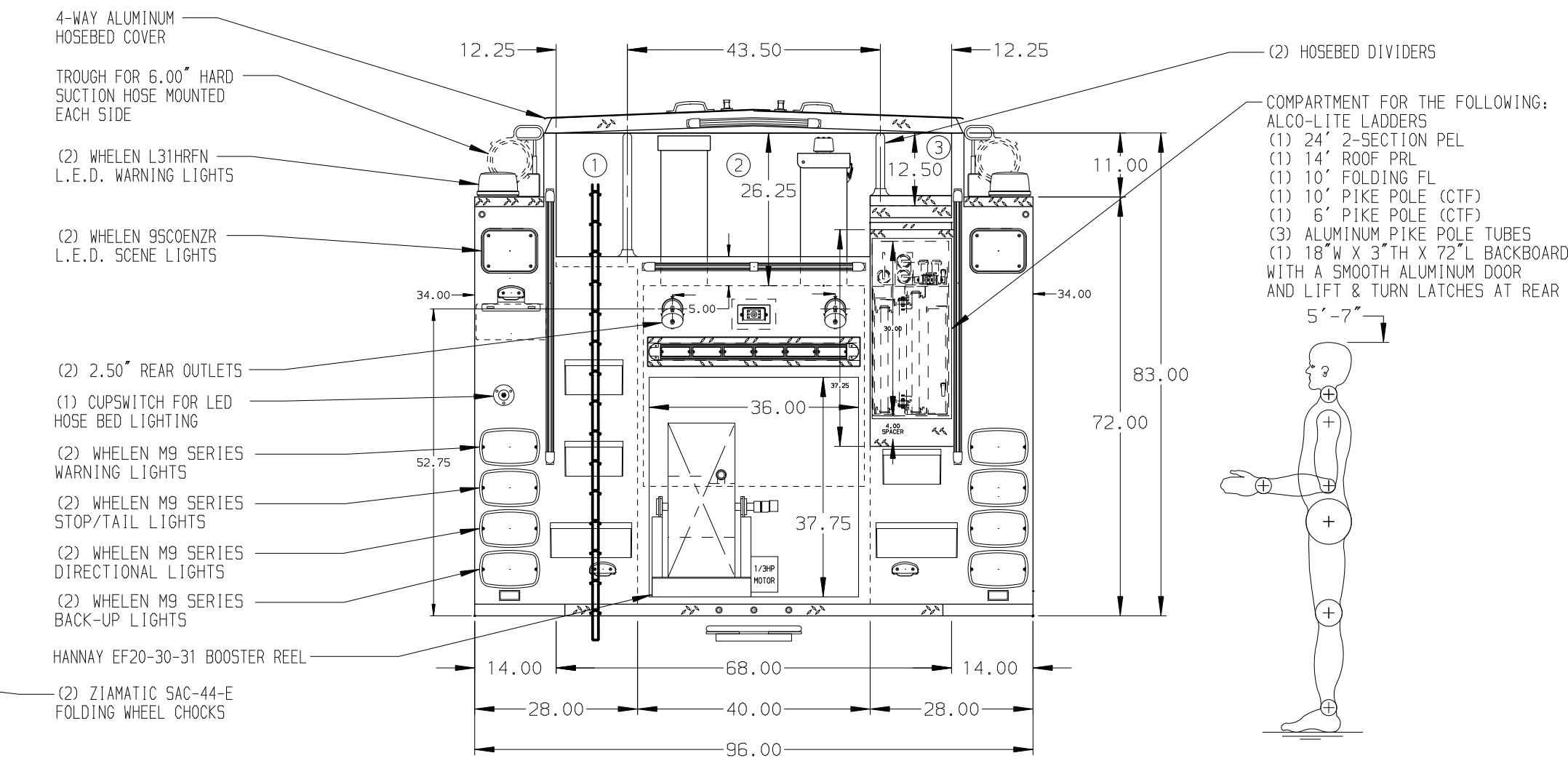


HOSEBED CAPACITIES

① 300' OF 2.50" D.J. HOSE

② 1100' OF 4.00" D.J. HOSE

③ 300' OF 2.50" D.J. HOSE



ALUMINUM BODY MAXIMUM O.A.H. 127.00"

NOTE
 DIMENSIONS SHOWN ARE APPROXIMATE AND ARE SUBJECT TO MINOR DEVIATIONS AS MAY OCCUR OR BE NECESSARY IN CONSTRUCTION.
 MINOR DETAILS NOT SHOWN.

1. ONSPOT AUTOMATIC TIRE CHAINS TO BE PROVIDED AT REAR
2. BATTERY CHARGER LOCATED IN COMPARTMENT D3
3. DUAL L.E.D. LIGHT STRIPS LOCATED IN HOSE BED
4. TWO FULL WIDTH/DEPTH ADJUSTABLE SHELVES IN D3, P1, & P3 / ONE IN D1 & D2.
5. ONE ADJUSTABLE SLIDE-OUT TRAY IN COMPARTMENT T80
6. ONE ADJUSTABLE TILTING SLIDE-OUT TRAY IN COMPARTMENT D2
7. CIRCUIT BREAKER PANEL IN COMPARTMENT D3
8. AIR INLET/OUTLET DISCONNECT FITTING LOCATED ON DS PUMP PANEL

REV	DATE	BY	CH	ENFORCER
02AUG17	GVH	SHA		CHASSIS DATA
02AUG17	GVH	SHA		MAKE
30JUN17	GVH	SHA		PIERCE
19MAY17	GVH	KWI		MODEL
11MAY17	GVH	JBL		

		JOB NO.	31224
		SCALE	1:24
TITLE 1500-D-500G WATER, 20 & 40GAL FOAM, 152" RESCUE BODY (3) CROSSSLAYS, GENERATOR, DELUGE, LIGHT TOWER	FOR GREENSBORO FIRE DEPARTMENT GREENSBORO, NORTH CAROLINA	DRAWN BY	GVH
		CHECKED BY	JBL
DWG NO.	31224AD	SHEET SIZE	D
		SHEET NO.	1 OF 1