

**PUMPER BODY**

Medium Aluminum 2nd Gen Pumper

**CHASSIS**  
Enforcer Chassis

**CHASSIS AXLE, FRONT, CUSTOM**  
18,000 Lb Dana Axle

**AXLE, REAR**  
27,000 Lb Dana Axle

**ENGINE**  
450 HP Cummins L9 Engine

**TRANSMISSION**  
Allison 5th Gen, 3000 EVS P

**BUMPER**  
Non Extended Stainless Steel

**CAB**  
6010 Enforcer Cab

**BODY WATER TANK**  
500 Gallon Poly Water Tank

**COMPT, PUMPER, REAR**  
30.75" FF RollUp Rear Compt

**COMPT, PUMPER, DRIVER SIDE**  
152" RollUp Full Height & Depth Front, Full Height Rear FDLER

**COMPT, PUMPER PASS. SIDE**  
152" RollUp Full Height Front & Rear FDLER

**FIRE SUPPRESSION PUMPHOUSE**

45" Control Zone Top Mount

**PUMP**

1500 GPM Waterous CSU

**CROSSLAYS, 1.50"**

1.50" Crosslays Not Required

**CROSSLAYS, 2.50"**

2.50" Crosslay Not Required

**SPEEDLAYS**

(2) 1.50" Standard Capacity

**GENERATOR**

Generator Not Required

**Foam System**

Husky 3 Single Agent Foam System

**Foam Cell**

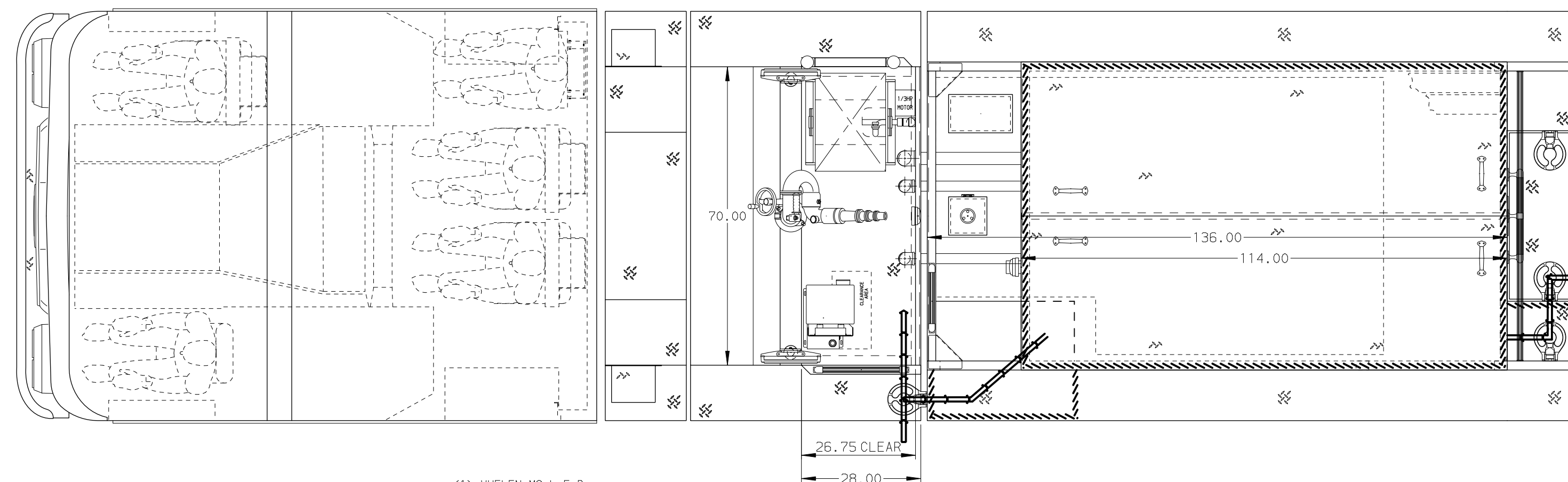
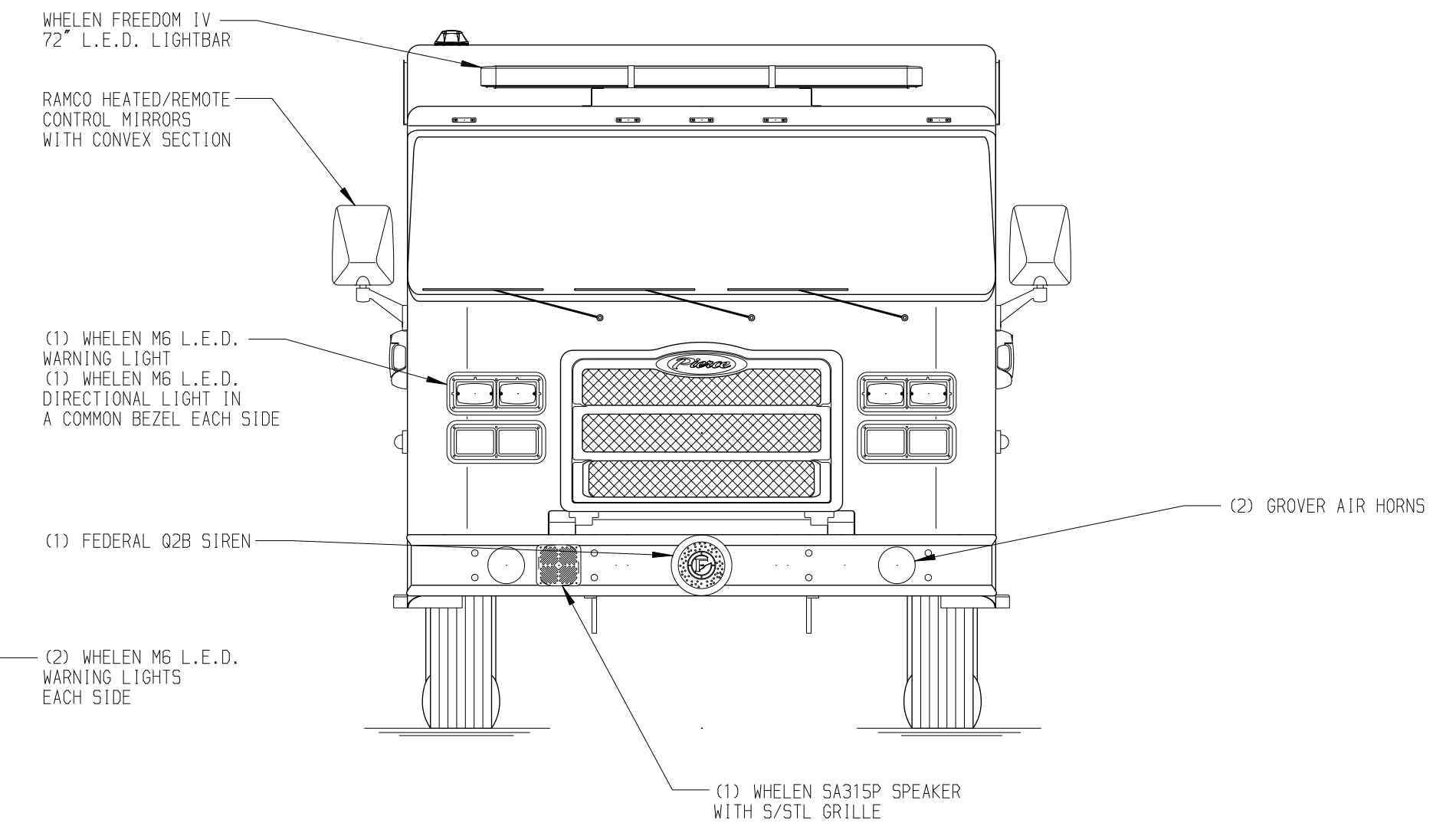
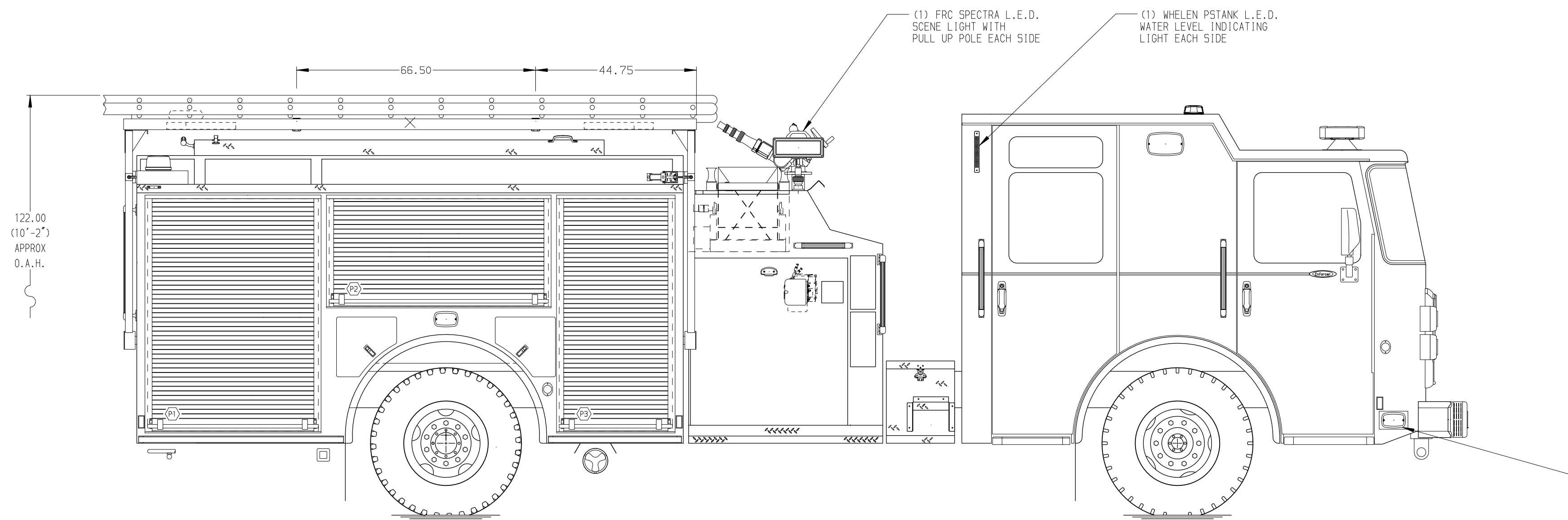
20 Gallon Foam Cell, Not Reduced Water

Side Roll and Frontal Impact Protection

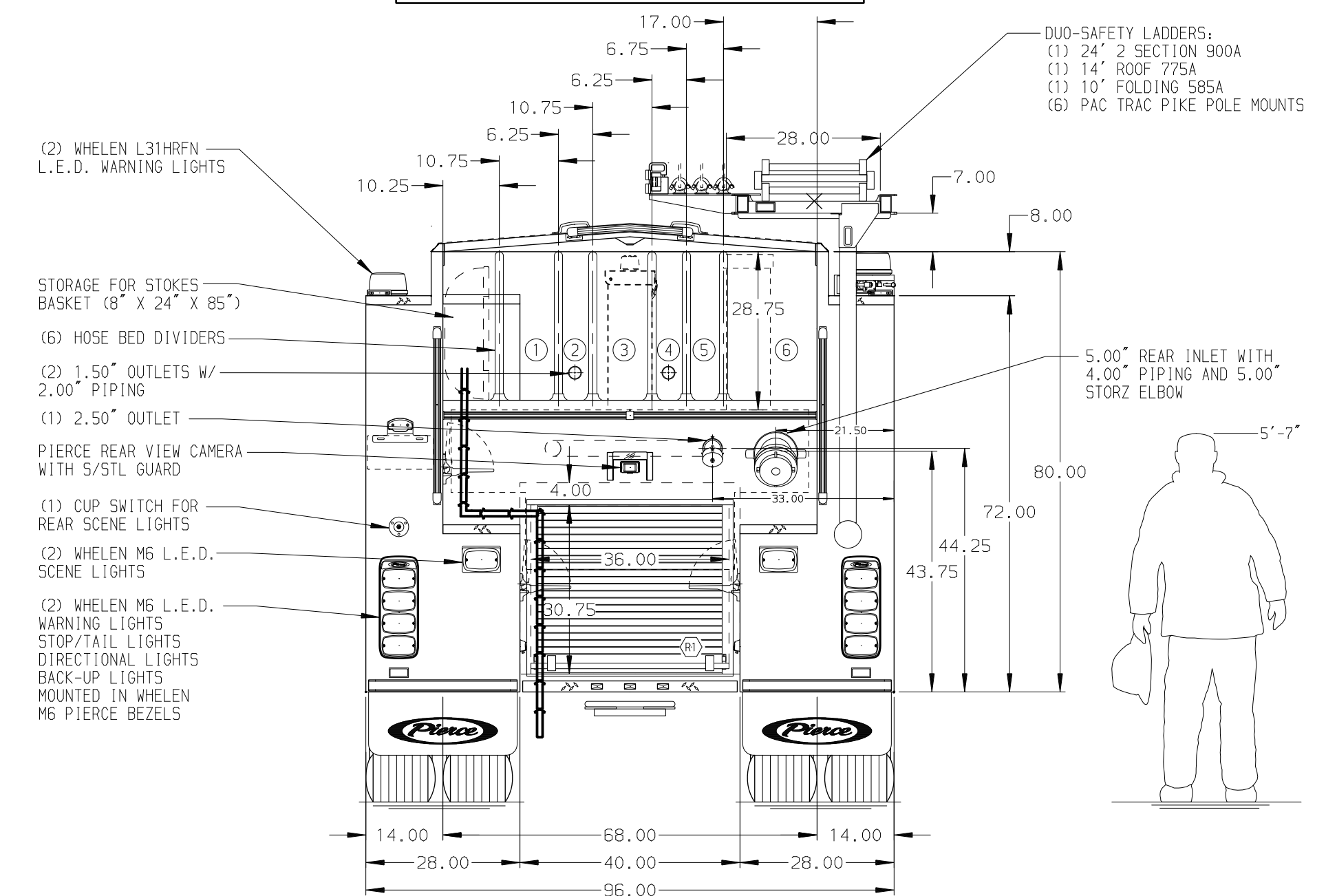
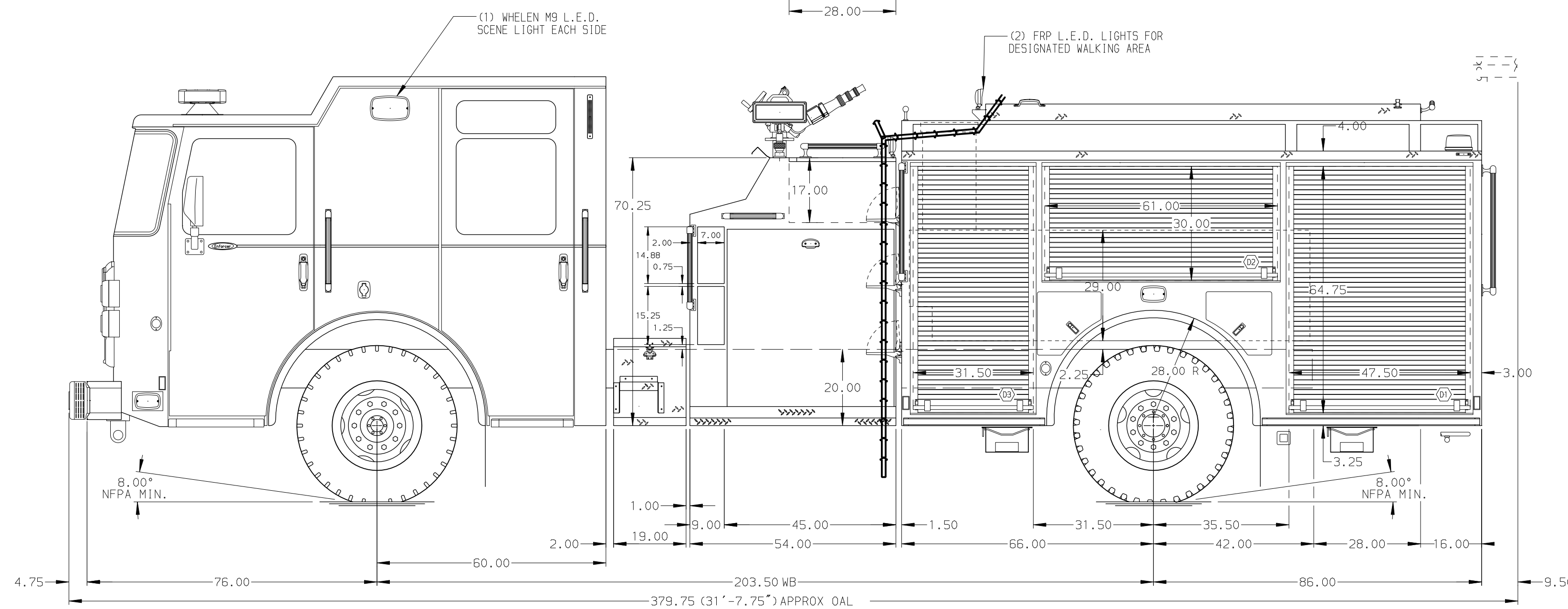
**NOTE**  
DIMENSIONS SHOWN ARE APPROXIMATE AND ARE SUBJECT TO MINOR DEVIATIONS AS MAY OCCUR OR BE NECESSARY IN CONSTRUCTION.  
MINOR DETAILS NOT SHOWN.

1. AUTOMATIC TIRE CHAINS
2. SHORELINE RECEPTACLE WITH KUSSMALL SUPER AUTO-EJECT LOCATED ON DRIVER SIDE OF THE CAB
3. AIR INLET WITH DISCONNECT COUPLING IN THE DRIVER SIDE STEPWELL
4. BATTERY CHARGER LOCATED IN COMPARTMENT D3
5. BATTERY CHARGE INDICATOR LOCATED ON THE DRIVERS STEP AREA
6. SEVEN ADJUSTABLE SHELVES LOCATED PER SHOP ORDER
7. TWO FLOOR MOUNTED SLIDE-OUT TRAYS LOCATED PER SHOP ORDER
8. ONE SWING-OUT TOOLBOARD LOCATED PER SHOP ORDER
9. ALUMINUM PEGBOARD LOCATED PER SHOP ORDER
10. HANNAY BOOSTER REEL MODEL EF24-23-24 LOCATED IN CARGO AREA FOR 150' OF 1.00" BOOSTER HOSE

11. ONE TILTING/SLIDE-OUT TRAY LOCATED PER SHOP ORDER



HOSEBED CAPACITY	
<b>BED 1</b>	400' OF 2.50" D.J. POLY HOSE
<b>BED 2</b>	200' OF 1.75" D.J. POLY HOSE
<b>BED 3</b>	600' OF 2.50" D.J. POLY HOSE
<b>BED 4</b>	200' OF 1.75" D.J. POLY HOSE
<b>BED 5</b>	200' OF 2.50" D.J. POLY HOSE
<b>BED 6</b>	550' OF 5.00" D.J. POLY HOSE



		JOB NO.	31260
		SCALE	DATE
TITLE	Pierce Pumper Approval Drawing	DRAWN BY	COL
FOR	Richland Fire and Emergency Service	CHECKED BY	SHE
DWG NO.	31260AD	SHEET SIZE	D
		SHEET NO.	1 OF 1

REV	DATE	BY	CH	ENFORCER
22APR17	COL	MSA		PIERCE
08MAR17	COL	MSA		PIERCE