

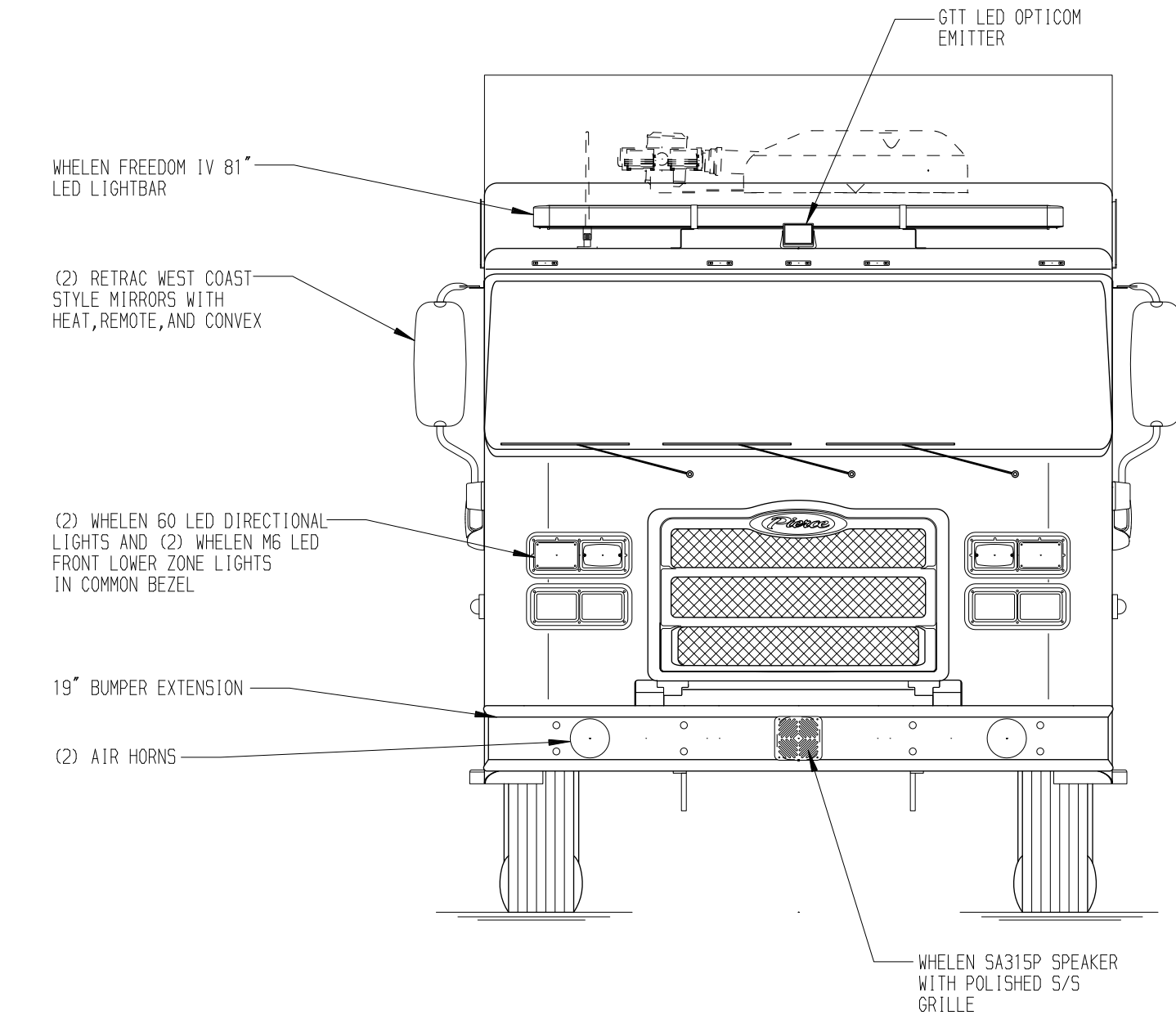
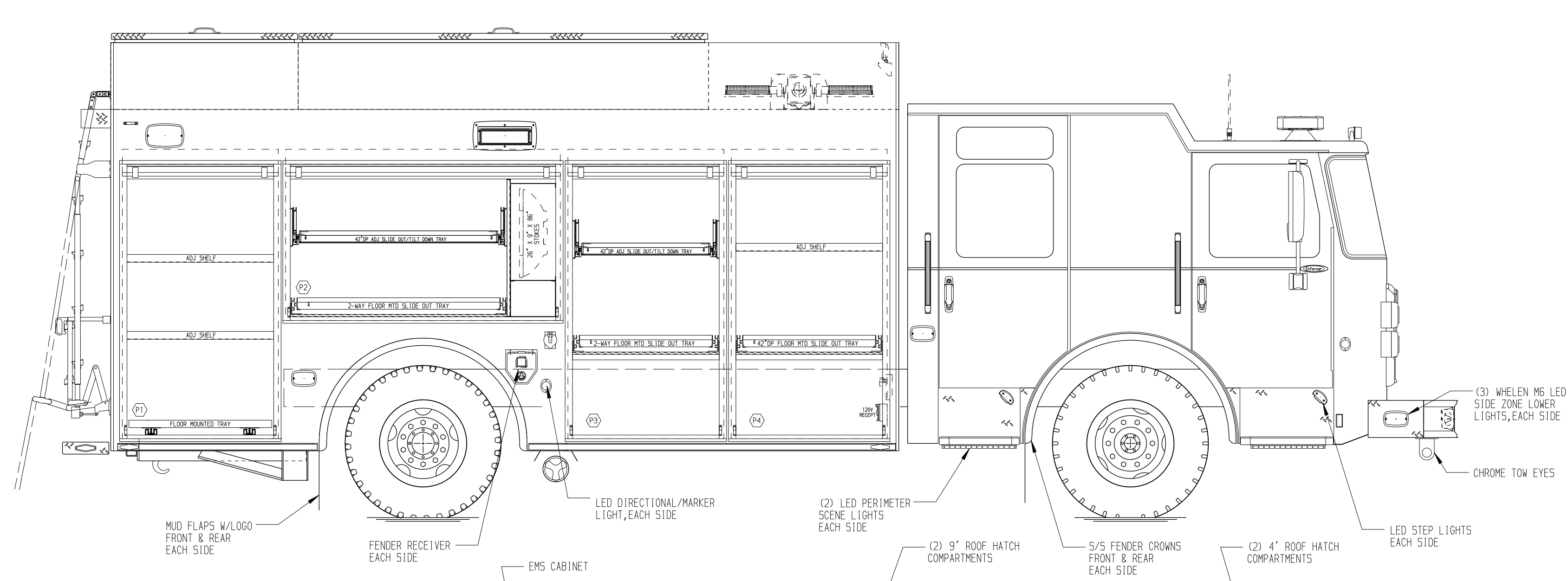
PASSENGER'S SIDE COMPARTMENTS CONTAIN THE FOLLOWING:

- COMPARTMENT P1 CONTAINS:
 - (1) STD DEPTH FLOOR MOUNTED TRAY
 - (2) STD DEPTH ADJ SHELVES

- COMPARTMENT P2 CONTAINS:
 - (1) STOKES BASKET RACK
 - (1) RACK FOR MISC.
 - (1) VERTICAL COMPARTMENT DIVIDER
 - (1) 2-WAY FLOOR MOUNTED TRAY
 - (1) 42" DP ADJ SLIDE OUT/TILT TRAY

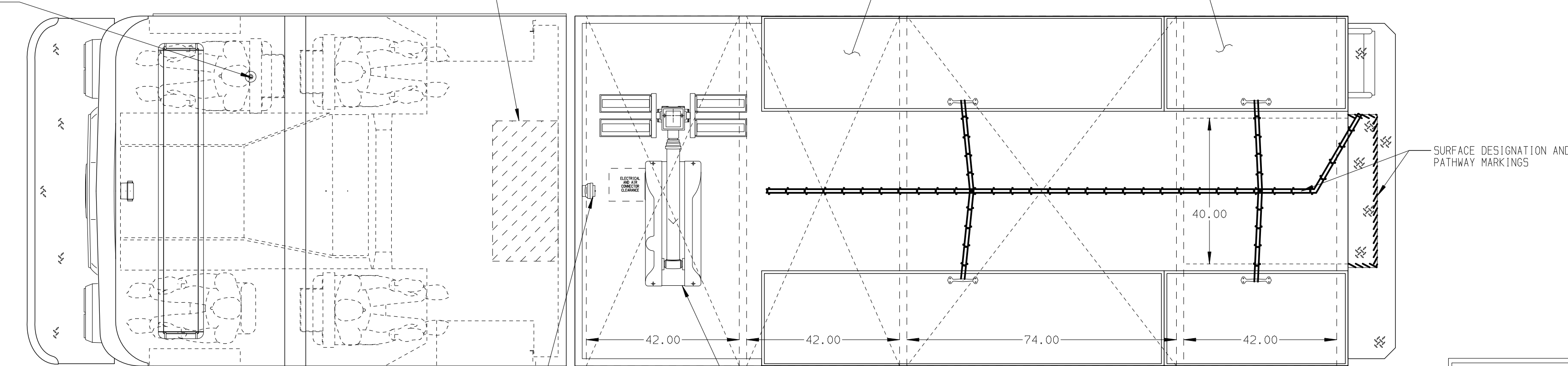
- COMPARTMENT P3 CONTAINS:
 - (1) HORIZONTAL FLOOR EXTENSION
 - (1) 2-WAY FLOOR MTD SLIDE OUT TRAY
 - (1) 42" DP ADJ SLIDE OUT/TILT TRAY

- COMPARTMENT P4 CONTAINS:
 - (1) CAB LIFT CONTROLLER
 - (1) HORIZONTAL FLOOR EXTENSION
 - (1) 42" DP FLOOR MTD SLIDE OUT TRAY
 - (1) 1/2 DEPTH ADJ SHELF
 - (1) 20A, 120V DUPLEX RECEPTACLE



REAR COMPARTMENT CONTAINS THE FOLLOWING:

COMPARTMENT R1 CONTAINS:
 - (1) 36" DP FLOOR MOUNTED TRAY
 - (1) 36" DP ADJ SLIDE OUT TRAY
 - (1) 36" DP ADJ SLIDE OUT/TILT TRAY
 - (1) ELECTRIC CORD REEL WITH 150' OF 10/3 YELLOW CORD



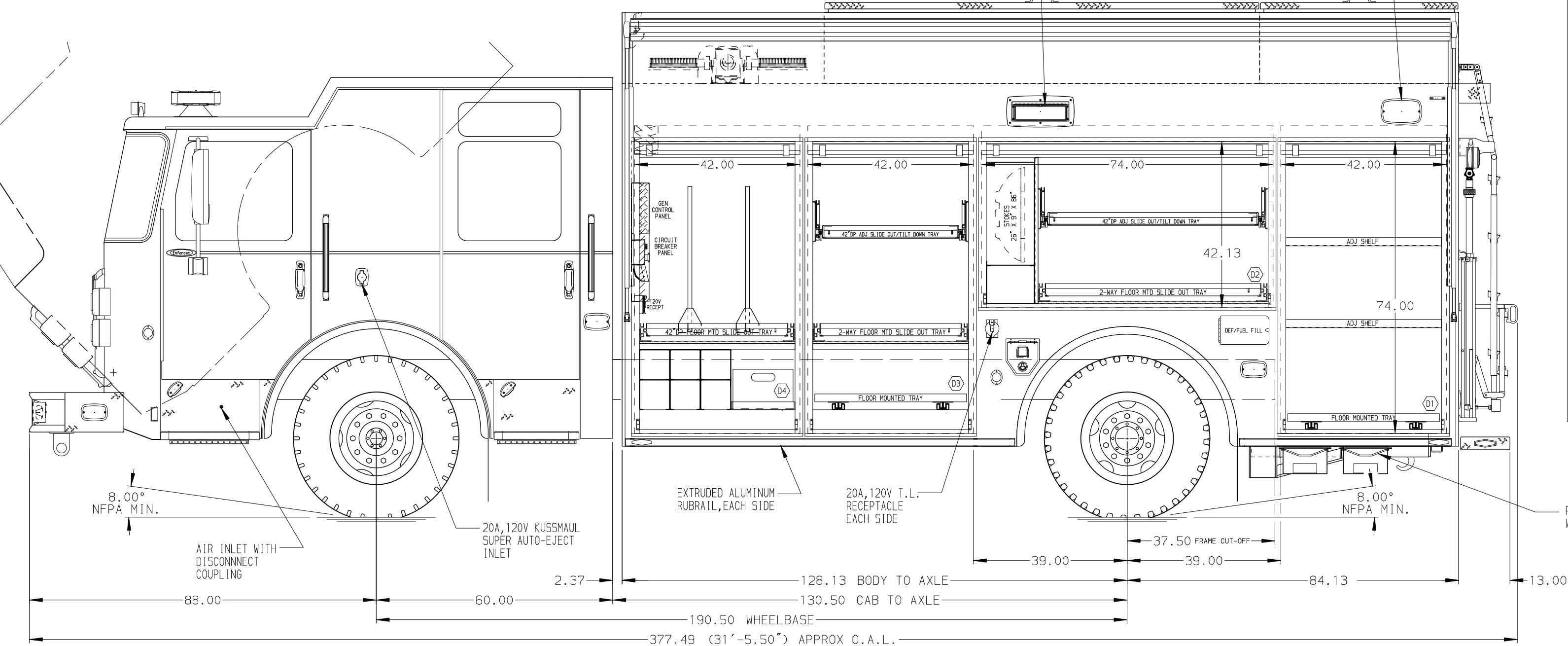
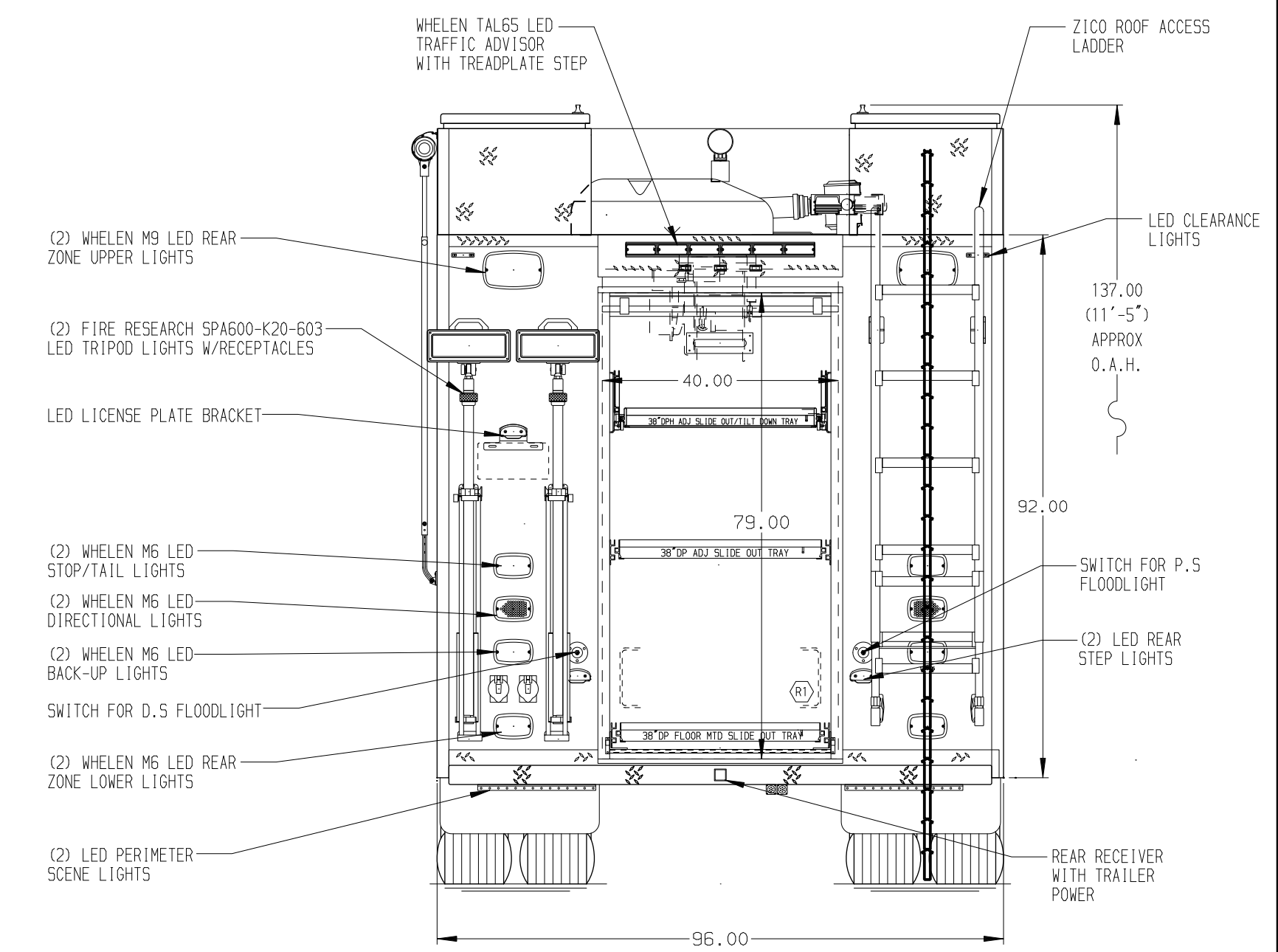
DRIVER'S SIDE COMPARTMENTS CONTAIN THE FOLLOWING:

COMPARTMENT D1 CONTAINS:
 - (1) STD DEPTH FLOOR MOUNTED TRAY
 - (2) STD DEPTH ADJ SHELVES

COMPARTMENT D2 CONTAINS:
 - (1) STOKES BASKET RACK
 - (1) RACK FOR MISC.
 - (1) VERTICAL COMPARTMENT DIVIDER
 - (1) 2-WAY FLOOR MOUNTED TRAY
 - (1) 42" DP ADJ SLIDE OUT/TILT TRAY

COMPARTMENT D3 CONTAINS:
 - (1) STD DEPTH FLOOR MOUNTED TRAY
 - (1) HORIZONTAL FLOOR EXTENSION
 - (1) 2-WAY FLOOR MTD SLIDE OUT TRAY
 - (1) 42" DP ADJ SLIDE OUT/TILT TRAY

COMPARTMENT D4 CONTAINS:
 - (1) NEWMAR 35A BATTERY CHARGER
 - (1) CIRCUIT BREAKER PANEL
 - (1) GENERATOR METER PANEL
 - (1) NIGHT SCAN CONTROLLER
 - (1) 42" DP FLOOR MTD SLIDE OUT TRAY WITH 2 42" DP ADJ TOOLBOARDS
 - (1) RACK FOR 6 SCBA BOTTLES
 - (1) POLY TOOL BOX
 - (1) 20A, 120V DUPLEX RECEPTACLE



NOTE
 DIMENSIONS SHOWN ARE APPROXIMATE AND ARE SUBJECT TO MINOR DEVIATIONS AS MAY OCCUR OR BE NECESSARY IN CONSTRUCTION. MINOR DETAILS NOT SHOWN.

- NOTES:**
- ONAN 15kW SINGLE PHASE PTO DRIVEN GENERATOR WITH SPLASH GUARD LOCATED BETWEEN THE FRAME RAILS
 - FLOOR IN CAB AND CREW CAB TO BE PADDED RUBBER
 - BATTERY CHARGE INDICATOR LOCATED ON THE DRIVER'S SEAT RISER
 - PULL STRAPS ON ALL BODY ROLL-UP DOORS
 - PIERCE DUAL LED LIGHT STRIPS IN EACH BODY COMPARTMENT

REV	DATE	BY	CH	EN6010
040CT17	J5W	CDK		
26JUN17	DHE	AZU		
13APR17	DHE	CDK		
13MAR17	DHE	CDK		

		JOB NO.	31315
		SCALE	DATE
TITLE	ENCORE RESCUE VEHICLE	DRAWN BY	DHE
FOR	PINELLAS COUNTY	CHECKED BY	AZU
DWG NO.	42.42.74.42	SHEET SIZE	D
	PINELLAS CO. FL	SHEET NO.	1 OF 1
			31315AD