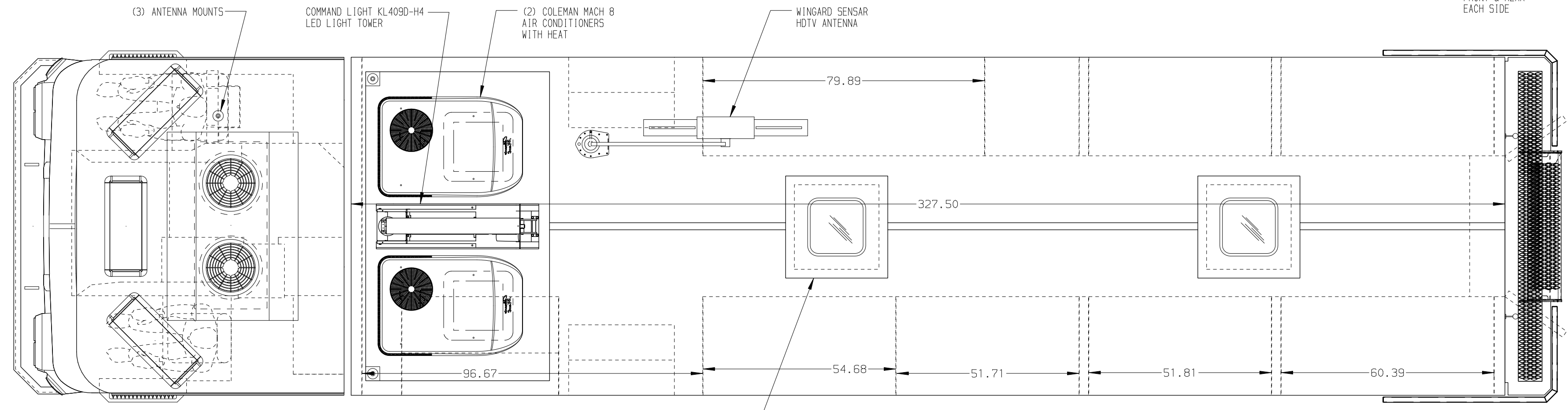
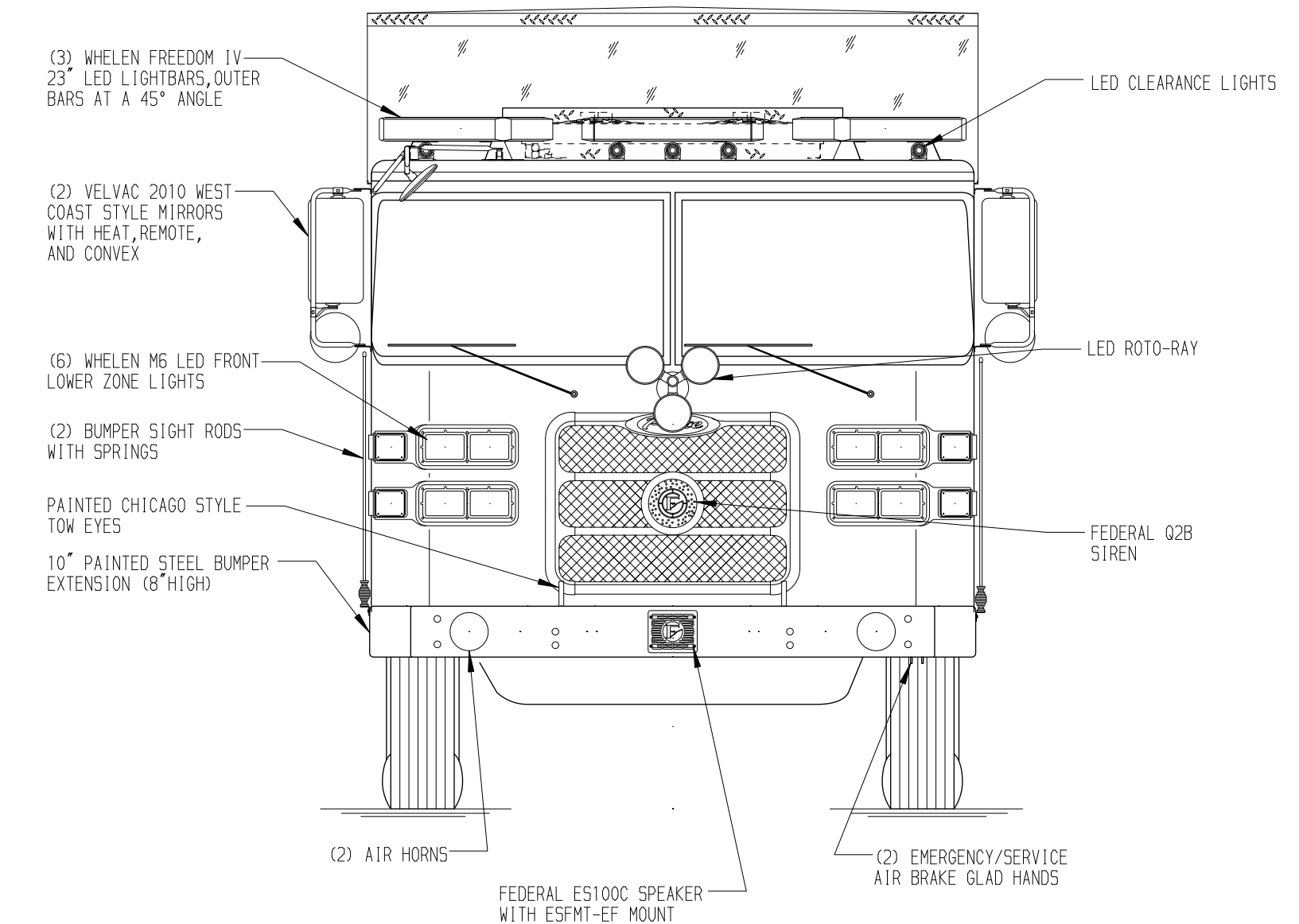
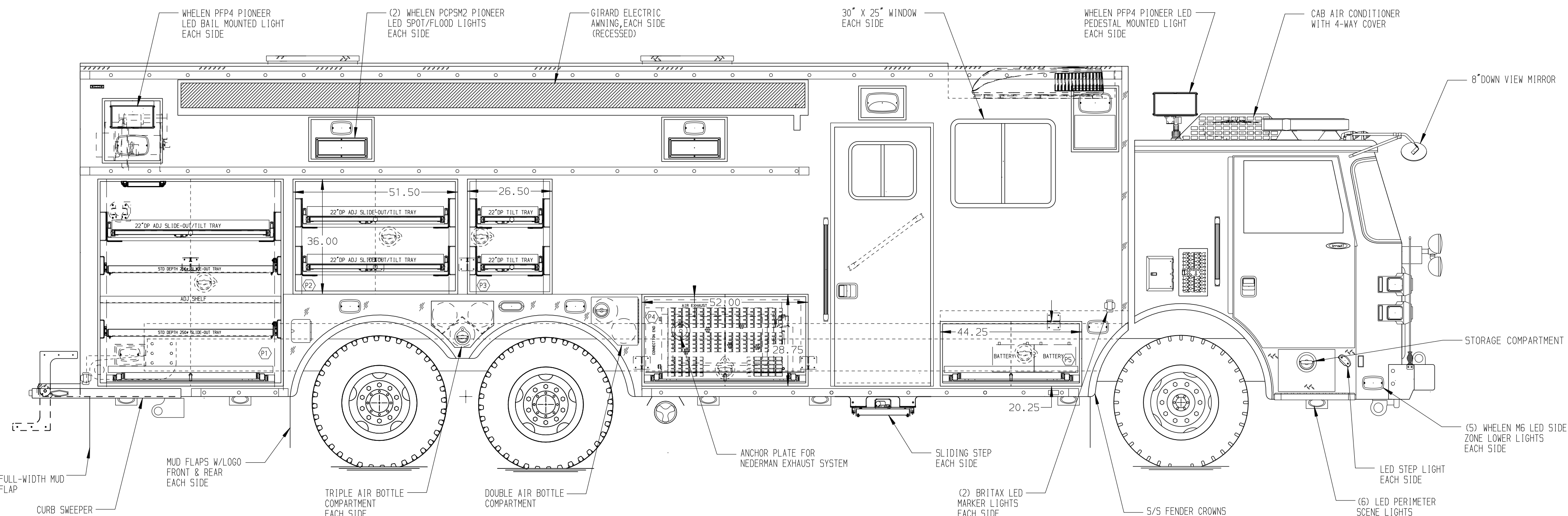


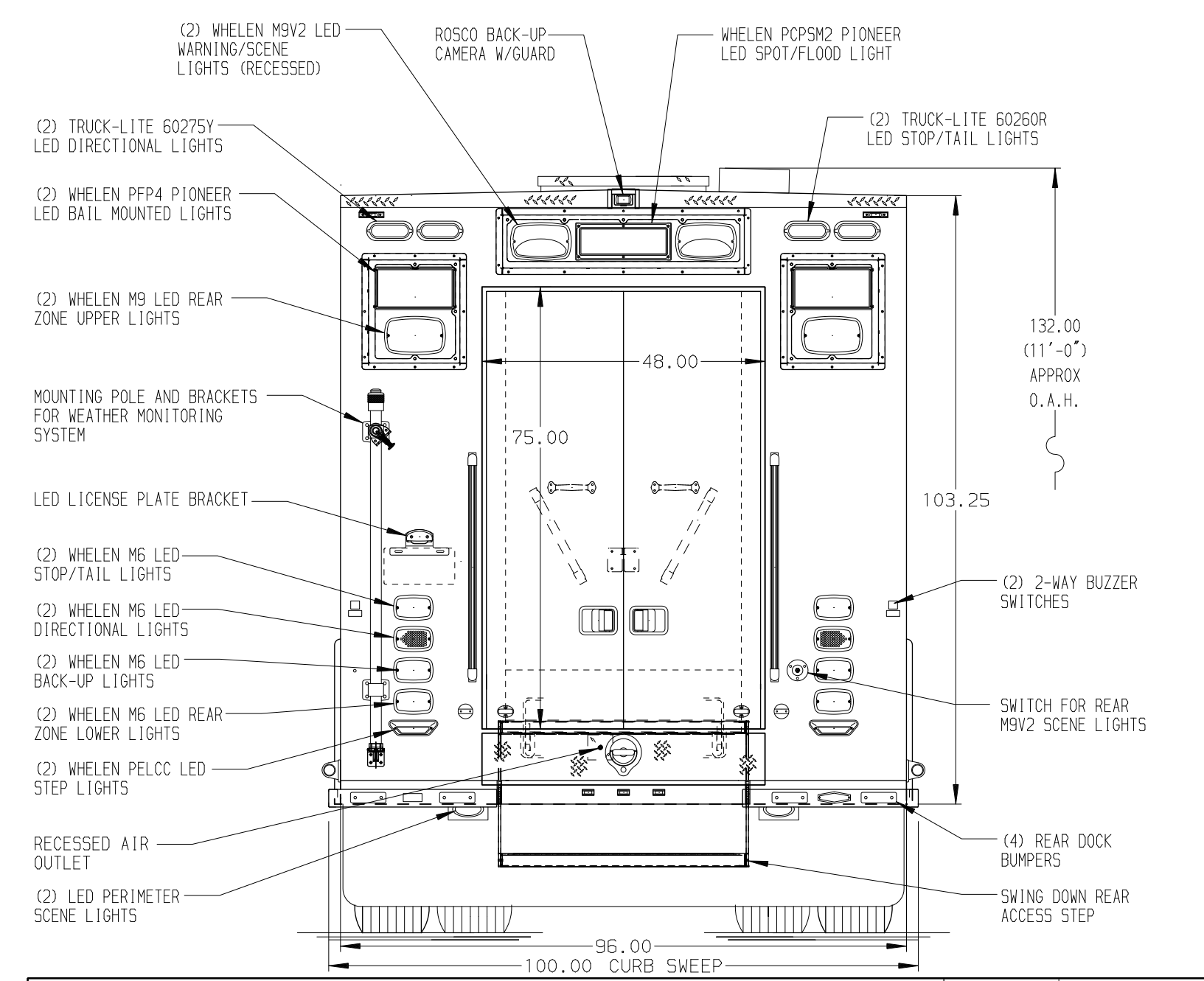
**PASSENGER'S SIDE COMPARTMENTS CONTAIN THE FOLLOWING:**

- COMPARTMENT P1 CONTAINS:
  - (1) STD DEPTH FLOOR MTD SLIDE OUT TRAY WITH SLIDEMASTER SLIDES
  - (1) ELECTRIC CORD REEL WITH 200' OF 10/4 YELLOW CORD
  - (1) FOLD-OUT ROLLER GUIDE ON LAP DOOR
  - (2) STD DEPTH ADJ SLIDE OUT TRAYS
  - (1) STD DEPTH ADJ SHELF
  - (1) STD DEPTH ADJ SLIDE OUT TILT TRAY WITH SLIDEMASTER SLIDES
- COMPARTMENT P2 CONTAINS:
  - (2) STD DEPTH ADJ SLIDE OUT/TILT TRAYS WITH SLIDEMASTER SLIDES
- COMPARTMENT P3 CONTAINS:
  - (2) STD DEPTH ADJ SLIDE OUT/TILT TRAYS WITH SLIDEMASTER SLIDES
- COMPARTMENT P4 CONTAINS:
  - (1) 30KW HARRISON HYDRAULIC GENERATOR
  - (1) STD DEPTH FLOOR MTD FLAT TOP SLIDE OUT TRAY WITH SLIDEMASTER SLIDES
- COMPARTMENT P5 CONTAINS:
  - (1) SLIDEMASTER BATTERY TRAY
  - JUMPER STUDS



**DRIVER'S SIDE COMPARTMENTS CONTAIN THE FOLLOWING:**

- COMPARTMENT D1 CONTAINS:
  - (1) STD DEPTH FLOOR MTD SLIDE OUT TRAY WITH SLIDEMASTER SLIDES
  - (1) ELECTRIC CORD REEL WITH 200' OF 10/4 YELLOW CORD
  - (1) FOLD-OUT ROLLER GUIDE ON LAP DOOR
  - (2) STD DEPTH ADJ SLIDE OUT TRAYS
  - (1) STD DEPTH ADJ SHELF
  - (1) STD DEPTH ADJ SLIDE OUT TILT TRAY WITH SLIDEMASTER SLIDES
- COMPARTMENT D2 CONTAINS:
  - (2) STD DEPTH ADJ SLIDE OUT/TILT TRAYS WITH SLIDEMASTER SLIDES
- COMPARTMENT D3 CONTAINS:
  - (2) STD DEPTH ADJ SLIDE OUT/TILT TRAYS WITH SLIDEMASTER SLIDES
- COMPARTMENT D4 CONTAINS:
  - (1) STD DEPTH FLOOR MTD SLIDE OUT TRAY WITH SLIDEMASTER SLIDES
  - (2) STD DEPTH ADJ SLIDE OUT TRAYS
  - (1) STD DEPTH ADJ SHELF
  - (1) STD DEPTH ADJ SLIDE OUT TILT TRAY WITH SLIDEMASTER SLIDES
  - (1) FOLD DOWN PLATFORM STEP
- COMPARTMENT D5 CONTAINS:
  - (1) STD DEPTH FLOOR MTD SLIDE OUT TRAY WITH SLIDEMASTER SLIDES
  - (1) COMMAND LIGHT TOWER CONTROLLER
  - (3) SCBA BRACKETS



**NOTE**  
DIMENSIONS SHOWN ARE APPROXIMATE AND ARE SUBJECT TO MINOR DEVIATIONS AS MAY OCCUR OR BE NECESSARY IN CONSTRUCTION. MINOR DETAILS NOT SHOWN.

- NOTES:**
- KUSSMAUL 40/20 BATTERY CHARGER BEHIND DRIVER'S SEAT
  - BRUSHED 5/5 SCUFFPLATES ON CAB DOOR JAMBS
  - FLOOR IN CAB TO BE PADDED RUBBER
  - DAVID CLARK 10-POSITION INTERCOM SYSTEM
  - ROSCO FORWARD AND INTERIOR DUAL CAMERA MOUNTED IN CAB
  - BRUSHED 5/5 ON FRONT OF BODY AND BODY CORNERS
  - REAR FENDER PANELS COVERED WITH BRUSHED 5/5
  - 5/5 HANDS ON BODY LAP DOORS
  - WHELEN PPSM2 LED LIGHTS IN BODY COMPARTMENTS
  - HANDHELD SPOTLIGHT LOCATED ON ENGINE TUNNEL

**MAXIMUM O.A.L. 38'-0"**  
**MAXIMUM O.A.H. 11'-0"**  
**STAINLESS STEEL BODY**

**CLEAR DOOR WIDTH KEY**

AMDR ROLL UP DOORS:	-2 1/4"
CORTITE ROLL UP DOORS:	-2 1/2"
PIERCE DOUBLE LAP DOORS:	-4 1/4"
PIERCE LIFT-UP LAP DOORS:	-1 1/2"

(EX: 60" F-F - 2 1/4" = 57 3/4" CLEAR)  
(F-F) = FRAME TO FRAME

REV	DATE	BY	CH	REV	DATE	BY	CH
190CT18	DHE	SBR		18AUG17	DHE	AZU	

		JOB NO.	31329
		SCALE	DATE
TITLE	HEAVY DUTY RESCUE WALKIN	DRAWN BY	DHE 10AUG17
FOR	WASHINGTON D.C. FIRE & EMERGENCY WASHINGTON D.C.	CHECKED BY	AZU 11AUG17
DWG NO.	31329AD-SH1	SHEET SIZE	SHEET NO.
		D	1 OF 2