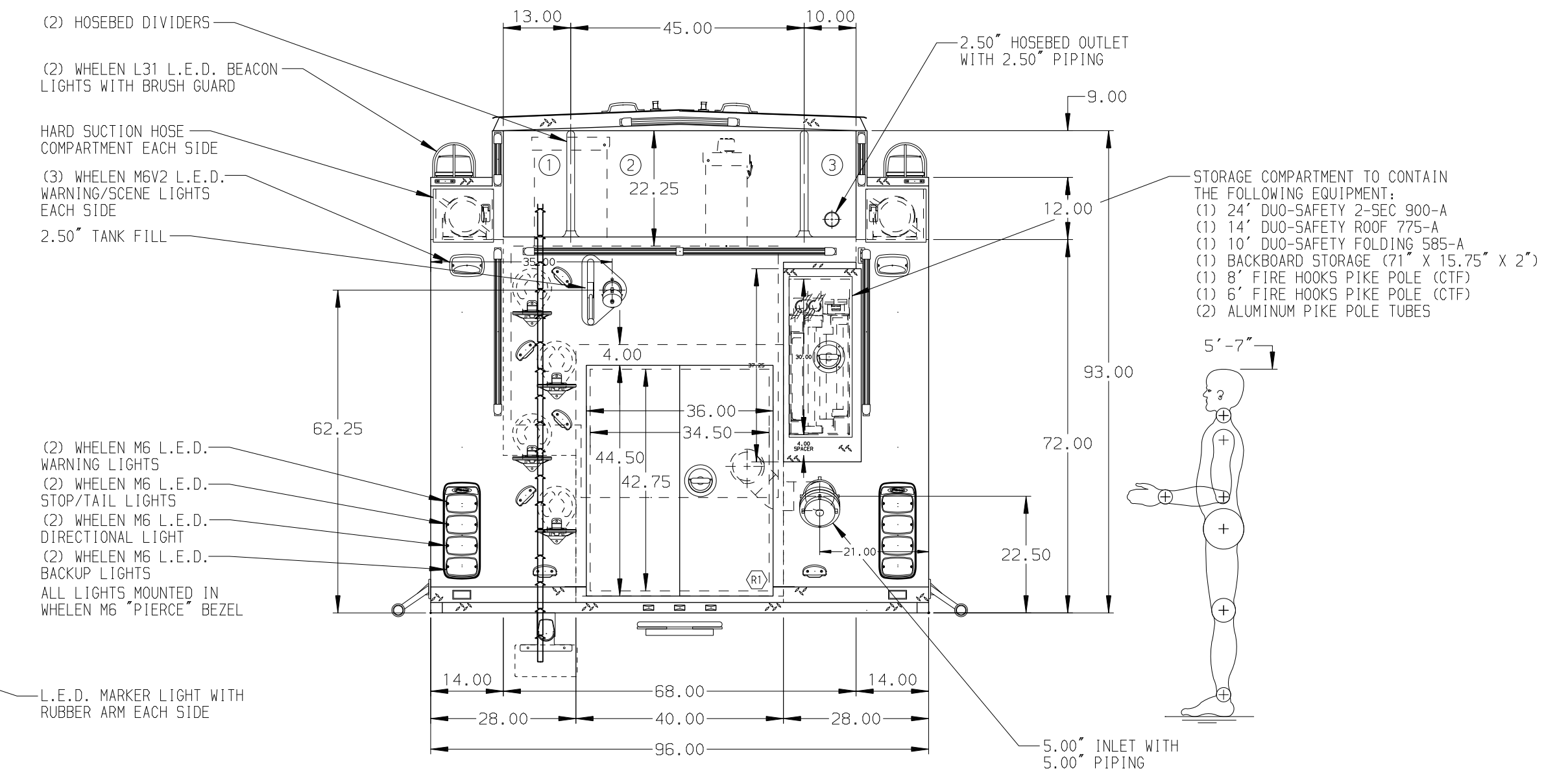
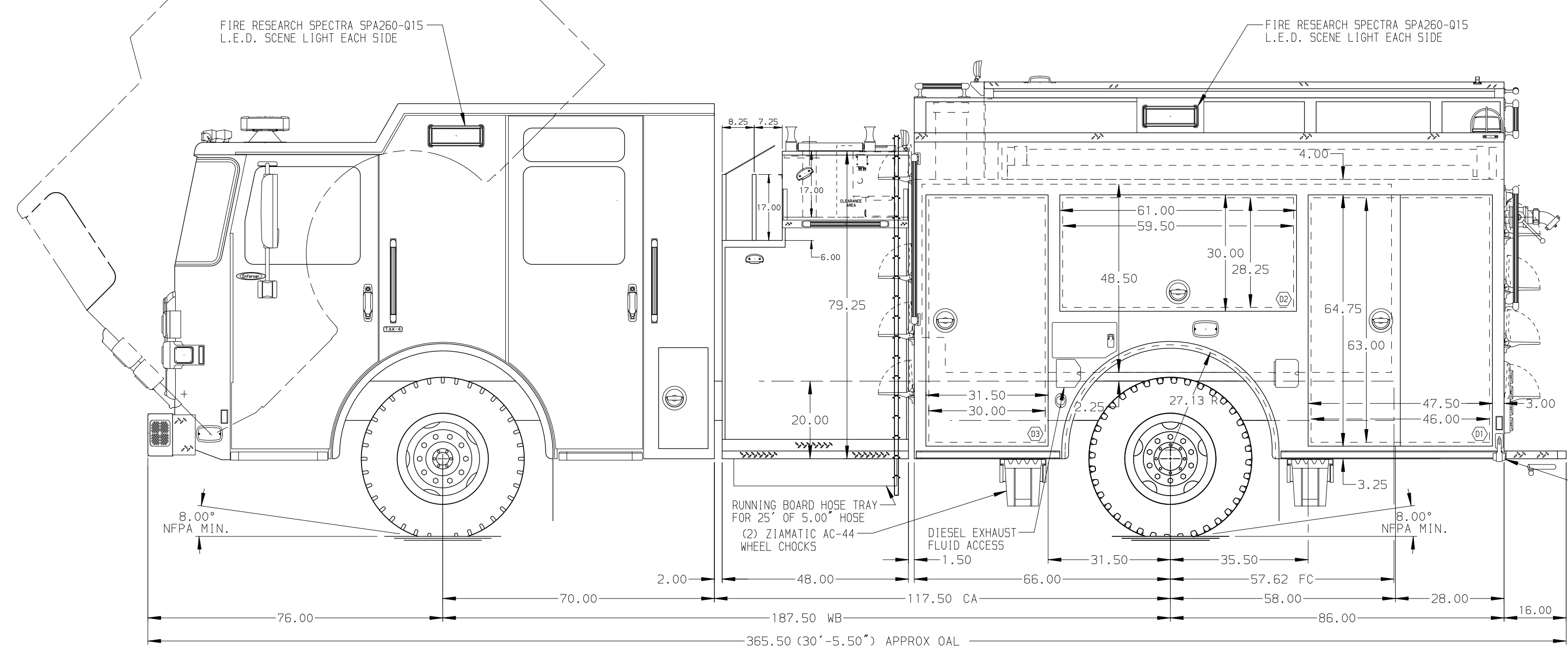


- HOSEBED CAPACITIES**
- ① 400' OF 2.50" D.J. HOSE
 - ② 1200' OF 5.00" D.J. HOSE
 - ③ 200' OF 2.50" D.J. HOSE



ALUMINUM BODY FRONTAL IMPACT PROTECTION

NOTE
 DIMENSIONS SHOWN ARE APPROXIMATE AND ARE SUBJECT TO MINOR DEVIATIONS AS MAY OCCUR OR BE NECESSARY IN CONSTRUCTION. MINOR DETAILS NOT SHOWN.

1. AIR INLET WITH DISCONNECT FITTING LOCATED IN DRIVER SIDE STEP WELL
2. BATTERY CHARGER LOCATED BEHIND DRIVER SEAT
3. BATTERY CHARGER INDICATOR LOCATED ON DRIVER SIDE SEAT RISER
4. SHORELINE RECEPTACLE WITH KUSSMAUL SUPER AUTO EJECT LOCATED ON DRIVER SIDE PUMP PANEL
5. PULL STRAPS FOR DOORS IN COMPARTMENT-D2,P2
6. ONE FULL WIDTH/DEPTH ADJUSTABLE SHELF WITH SIDES IN COMPARTMENT-D1,D2,D3,P1,R1
7. ONE FLOOR MOUNTED SLIDE-OUT TRAY WITH SIDES IN COMPARTMENT-P1,P3,R1
8. PARTITION BETWEEN COMPARTMENTS D1/R1 AND P1/R1
9. PEGBOARD WITH TRACKS ON REAR WALL IN COMPARTMENT-D2
10. ONE DUPLEX RECEPTACLE IN COMPARTMENT-P1

		JOB NO.	31332
		SCALE	1:24
MANUFACTURING INC.		DATE	
		DRAWN BY	CSQ
1500-D-1030P, 1000G WATER W/30G FOAM CELL, 152 BODY (2) XLAYS, DELUGE, BOOSTER REEL, HUSKY 3 FOAM SYSTEM		CHECKED BY	CCA
		FOR	ST. JOHN'S FIRE DEPARTMENT JOHN'S ISLAND, SOUTH CAROLINA
PIERCE		SHEET SIZE	D
		DWG NO.	31332AD
ENFORCER		SHEET NO.	1 OF 1
		REV	DATE
21DEC17	BST	JGO	
18SEP17	BST	JGO	
25AUG17	BST	JGO	
REV	DATE	BY	CH