

# Pumper, PUC BODY

Pumper, PUC, Aluminum

## CHASSIS

Enforcer Chassis, PUC

## CHASSIS AXLE, FRONT, CUSTOM

18,000 Lb TAK-4 Axle

## AXLE, REAR

27,000 Lb Dana Axle

## ENGINE

450 HP Cummins L9 Engine

## TRANSMISSION

Allison 5th Gen, 3000 EVS P

## BUMPER

19" Extended Stainless Steel

## CAB

7010 Enforcer Cab, PUC

## BODY

### WATER TANK

750 Gallon Poly Water Tank

### COMPT, PUMPER, REAR

40.50" FF RollUp Rear Compt w/Tailboard, PUC

### COMPT, PUMPER, DRIVER SIDE

177" RollUp Full Height & Depth Front & Rear, PUC

### COMPT, PUMPER PASS. SIDE

177" RollUp Full Height & Depth Front & Rear, PUC

## FIRE SUPPRESSION PUMPHOUSE

Control Zone, PUC

## PUMP

1500 GPM Pierce PUC

## CROSSLAYS, 1.50"

(2) 1.50" With Poly Trays, 200 Ft, Full Width, PUC

## CROSSLAYS, 2.50"

(1) 2.50" With Poly Tray, 200 Ft, Full Width, PUC

## GENERATOR

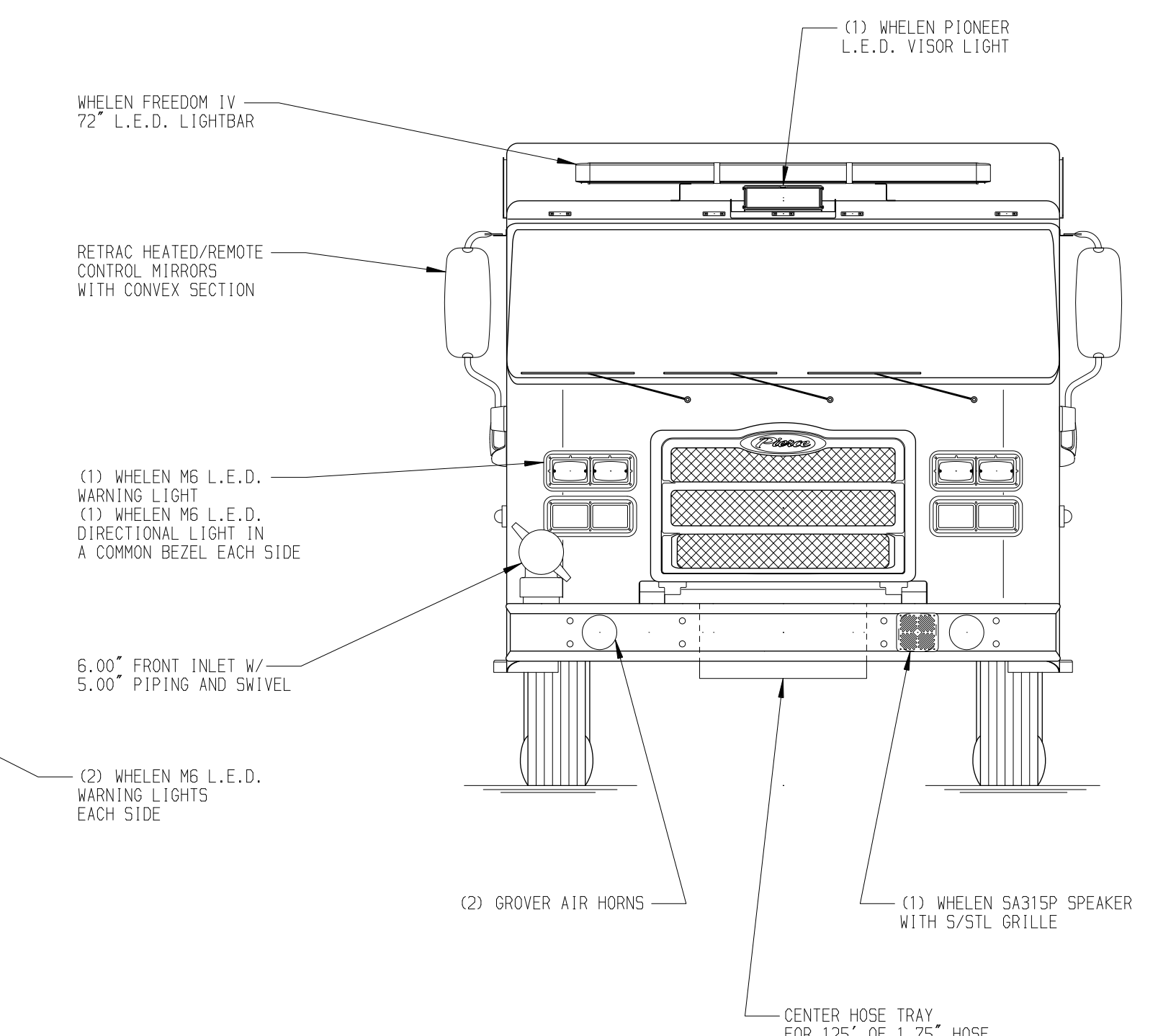
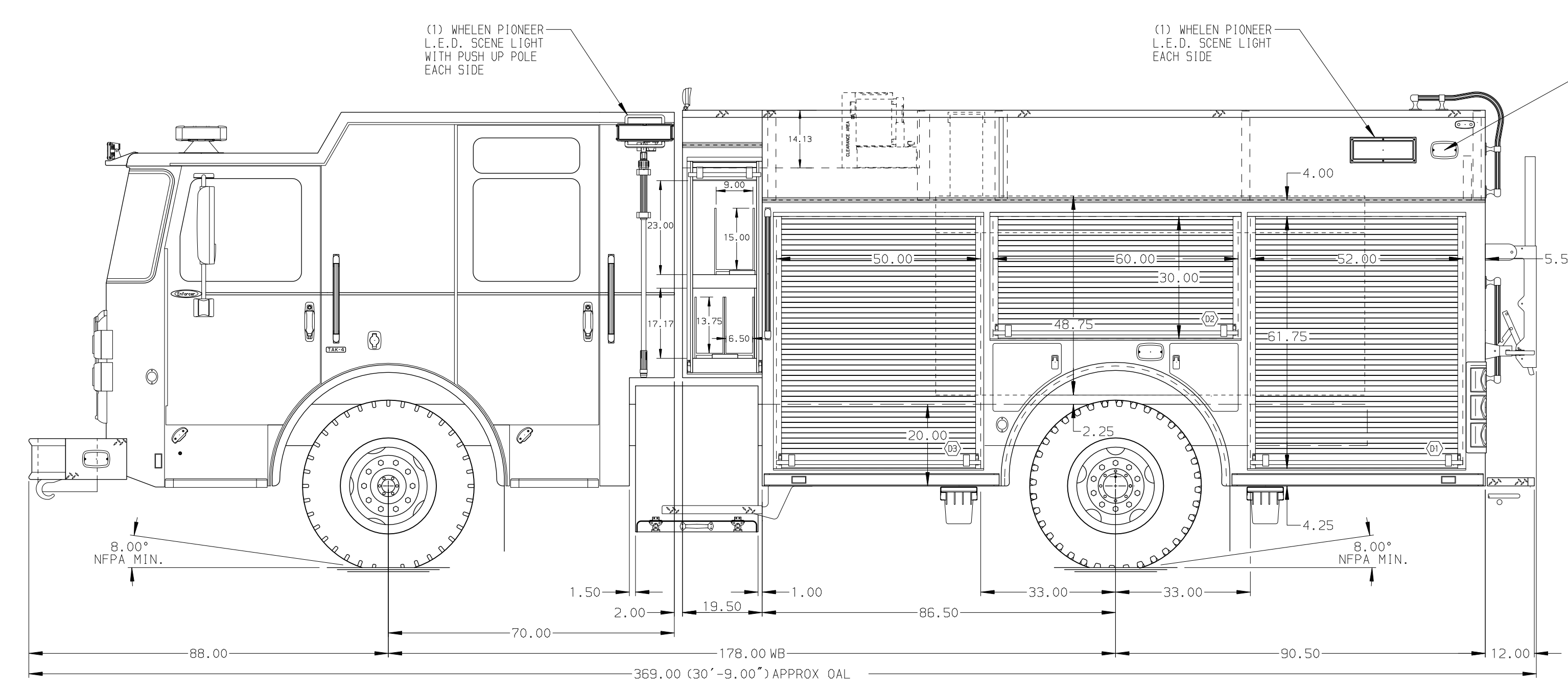
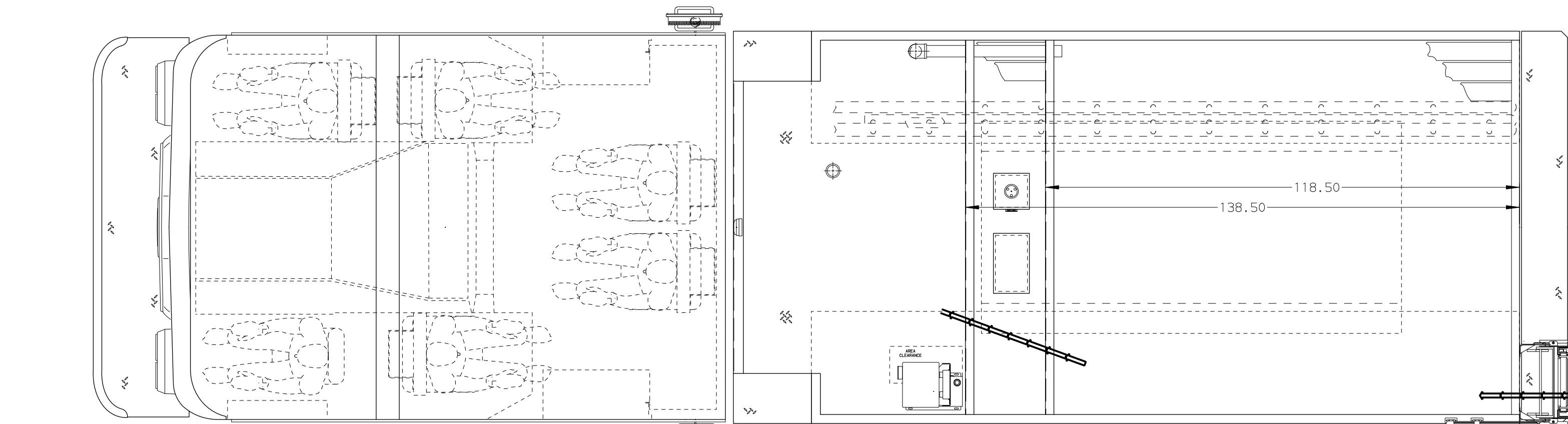
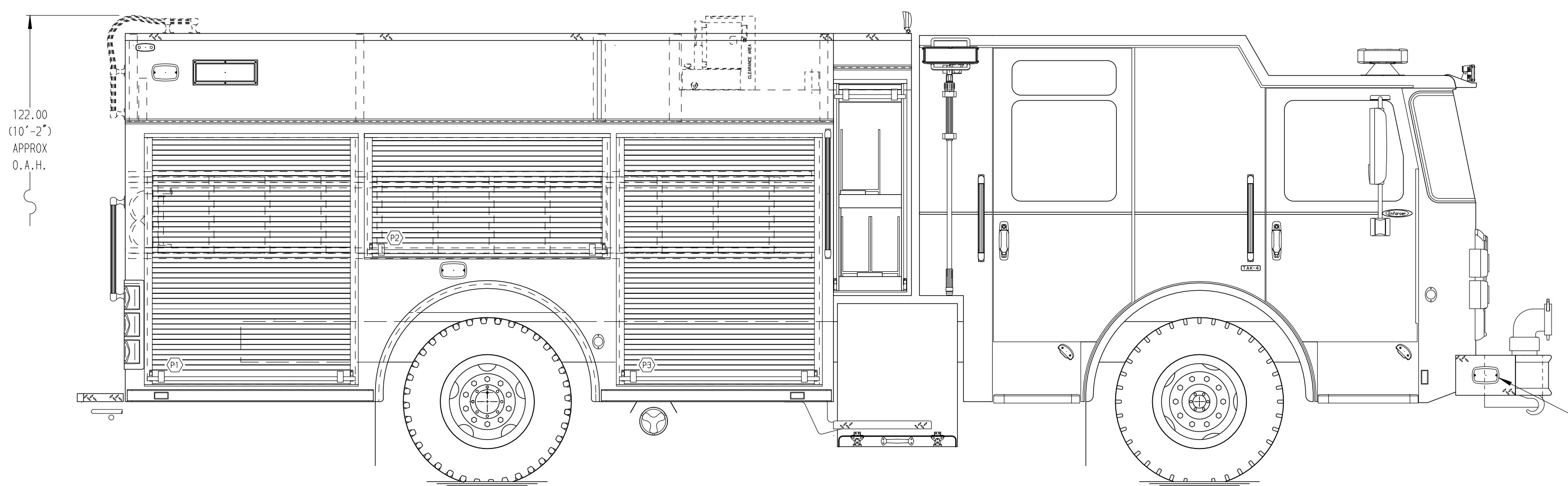
Generator Not Required

## Foam System

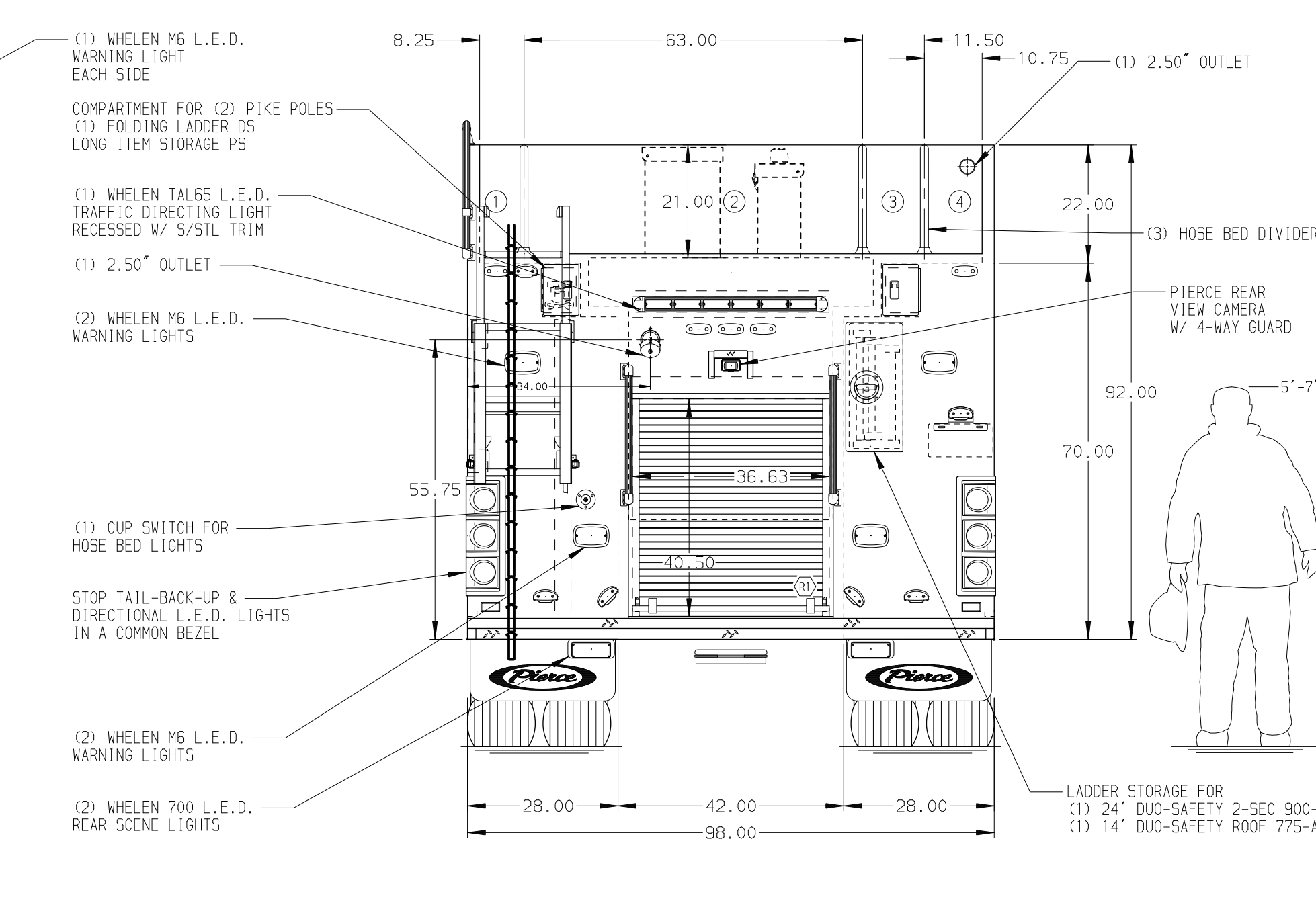
Husky 3 Single Agent Foam System

## Foam Cell

20 Gallon Foam Cell, Not Reduced Water, PUC



HOSEBED CAPACITY	
BED 1	200' OF 1.75" D.J. POLY HOSE
BED 2	800' OF 5.00" D.J. POLY HOSE
BED 3	200' OF 2.50" D.J. POLY HOSE
BED 4	200' OF 2.50" D.J. POLY HOSE



**NOTE**  
DIMENSIONS SHOWN ARE APPROXIMATE AND ARE SUBJECT TO MINOR DEVIATIONS AS MAY OCCUR OR BE NECESSARY IN CONSTRUCTION. MINOR DETAILS NOT SHOWN.

- ONE 1.50" OUTLET WITH 2.00" PIPING AND SWIVEL LOCATED IN CENTER BUMPER TRAY
- SHORELINE RECEPTACLE WITH KUSSMAUL SUPER AUTO-EJECT LOCATED ON DRIVER SIDE OF THE CAB
- AIR INLET WITH DISCONNECT COUPLING IN THE DRIVER SIDE STEPWELL
- BATTERY CHARGER LOCATED IN COMPARTMENT D3
- BATTERY CHARGE INDICATOR LOCATED ON THE DRIVER SIDE SEAT RISER
- FOUR ADJUSTABLE SHELVES LOCATED PER SHOP ORDER
- ONE FLOOR MOUNTED SLIDE-OUT TRAY LOCATED PER SHOP ORDER
- ONE CTECH TWO DRAWER ASSEMBLY LOCATED PER SHOP ORDER
- ONE 120V 5-PLACE RECEPTACLE STRIP LOCATED PER SHOP ORDER
- TWO 120V DUPLEX RECEPTACLES LOCATED PER SHOP ORDER

CHASSIS DATA	TITLE	Pierce Pumper Approval Drawing
MAKE	FOR	Tamah Fire Department
PIERCE	MODEL	ENFORCER
REV	DATE	BY
25MAY17	COL	JCO
		CH

	JOB NO.	31352
	SCALE	DATE
	DRAWN BY	01MAR17
	CHECKED BY	02MAR17
	SHEET SIZE	SHEET NO.
	D	1 OF 1

DWG NO. 31352AD