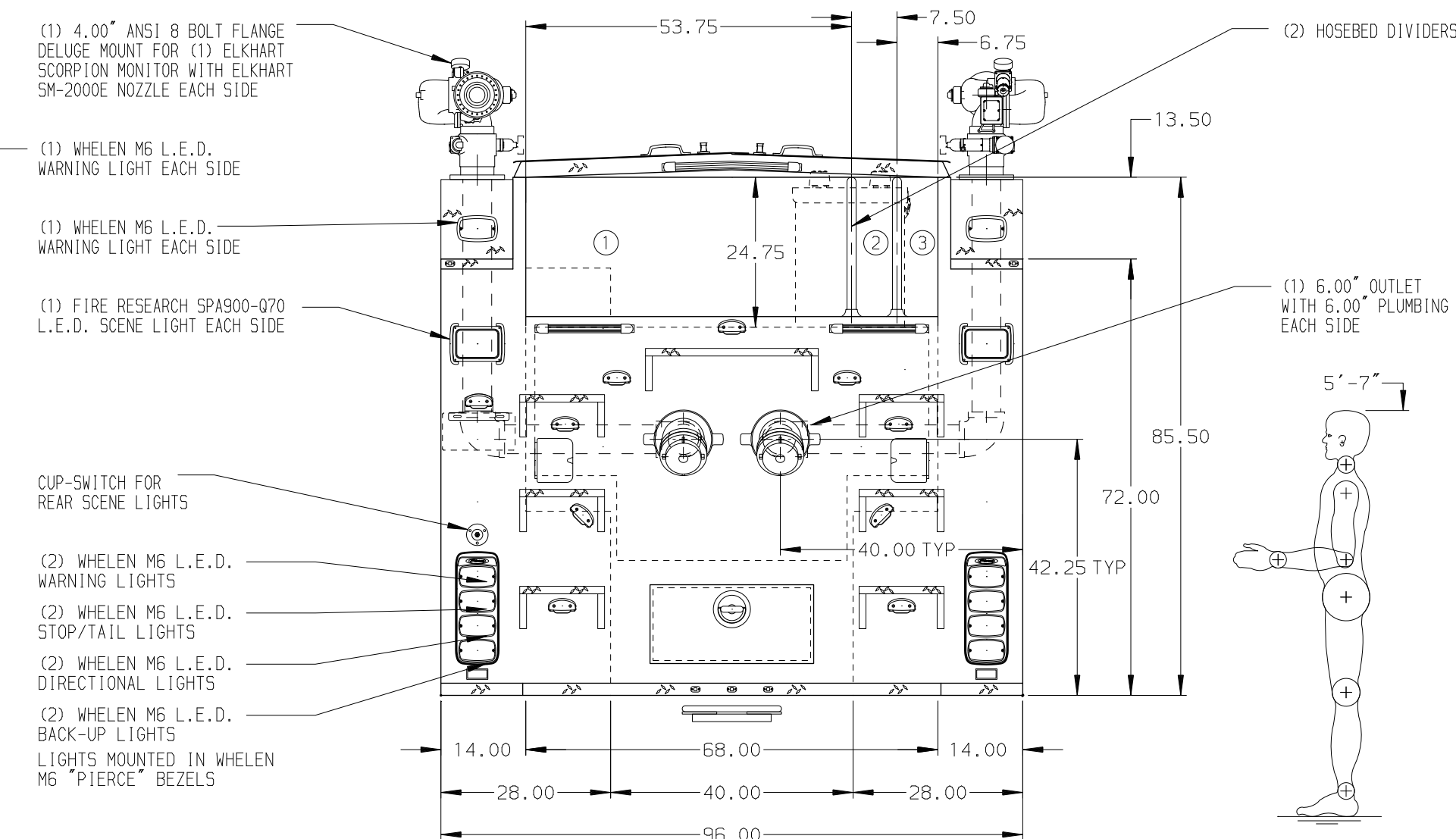
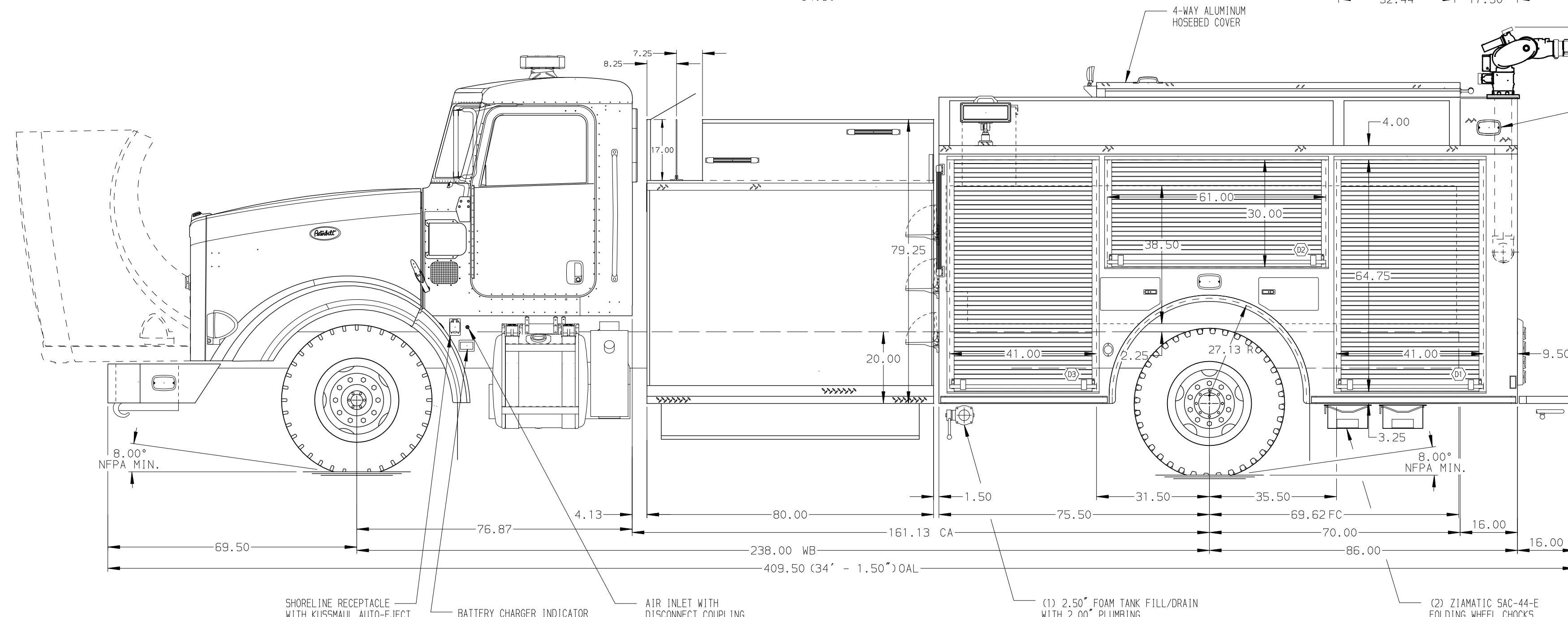


- HOSEBED CAPACITIES
- ① - 1000' OF 7.25" HOSE
  - ② - 200' OF 3.00" HOSE
  - ③ - 200' OF 3.00" HOSE



ALUMINUM BODY

NOTE  
DIMENSIONS SHOWN ARE APPROXIMATE AND ARE SUBJECT TO MINOR DEVIATIONS AS MAY OCCUR OR BE NECESSARY IN CONSTRUCTION. MINOR DETAILS NOT SHOWN.

1. BATTERY CHARGER LOCATED IN COMPARTMENT D3
2. ONE ADJUSTABLE FULL WIDTH/DEPTH SHELF IN COMPARTMENT D1, D3, P1 & P3
3. ONE ADJUSTABLE 9" TIE-OUT TRAY IN COMPARTMENT P3
4. ONE FLOOR MOUNTED SLIDE-OUT TRAY IN COMPARTMENT D1
5. THREE ADJUSTABLE VERTICAL SLOTS FOR HOSE STORAGE IN COMPARTMENT P1
6. ZICO (4) AIR BOTTLE HOLDER IN COMPARTMENT D2

REV	DATE	BY	CH	PETERBILT
25SEP17	AMI	CHR	MAKE	
24AUG17	AMI	CHR	COMMERCIAL	
23JUN17	AMI	SMA	MODEL	

		JOB NO.	31382
		SCALE	DATE
TITLE	3000-D-1000 GALLON FOAM TANK, 161" INDUSTRIAL BODY (2) XLAYS, (2) DELUGE OUTLETS, HUSKY 160 FOAM SYSTEM	DRAWN BY	AMI 15JUN17
FOR	KINDER-MORGAN-ARGO HOUSTON, TEXAS	CHECKED BY	CDU 15JUN17
DWG NO.	31382AD	SHEET SIZE	SHEET NO.
		D	1 OF 1