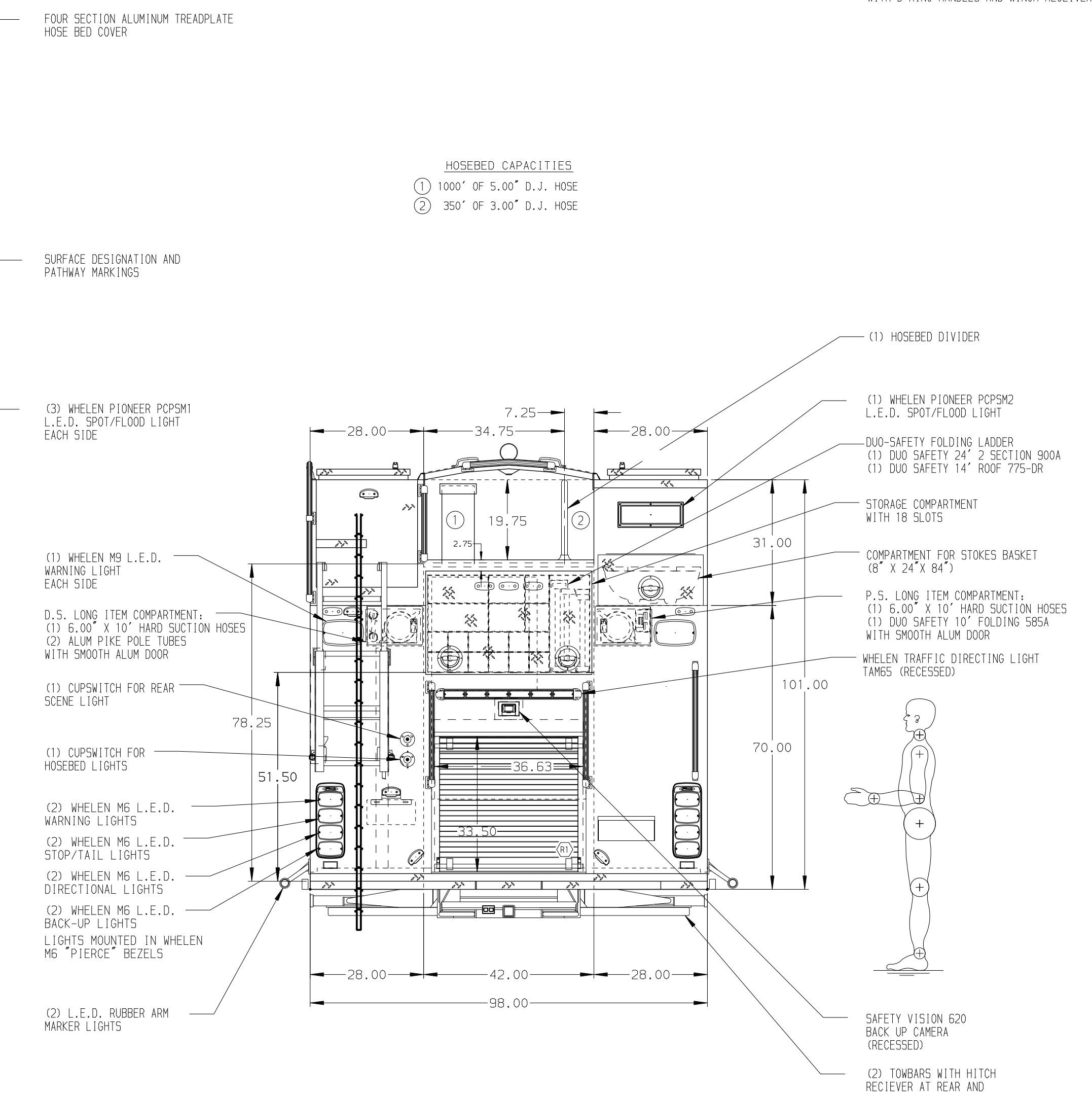
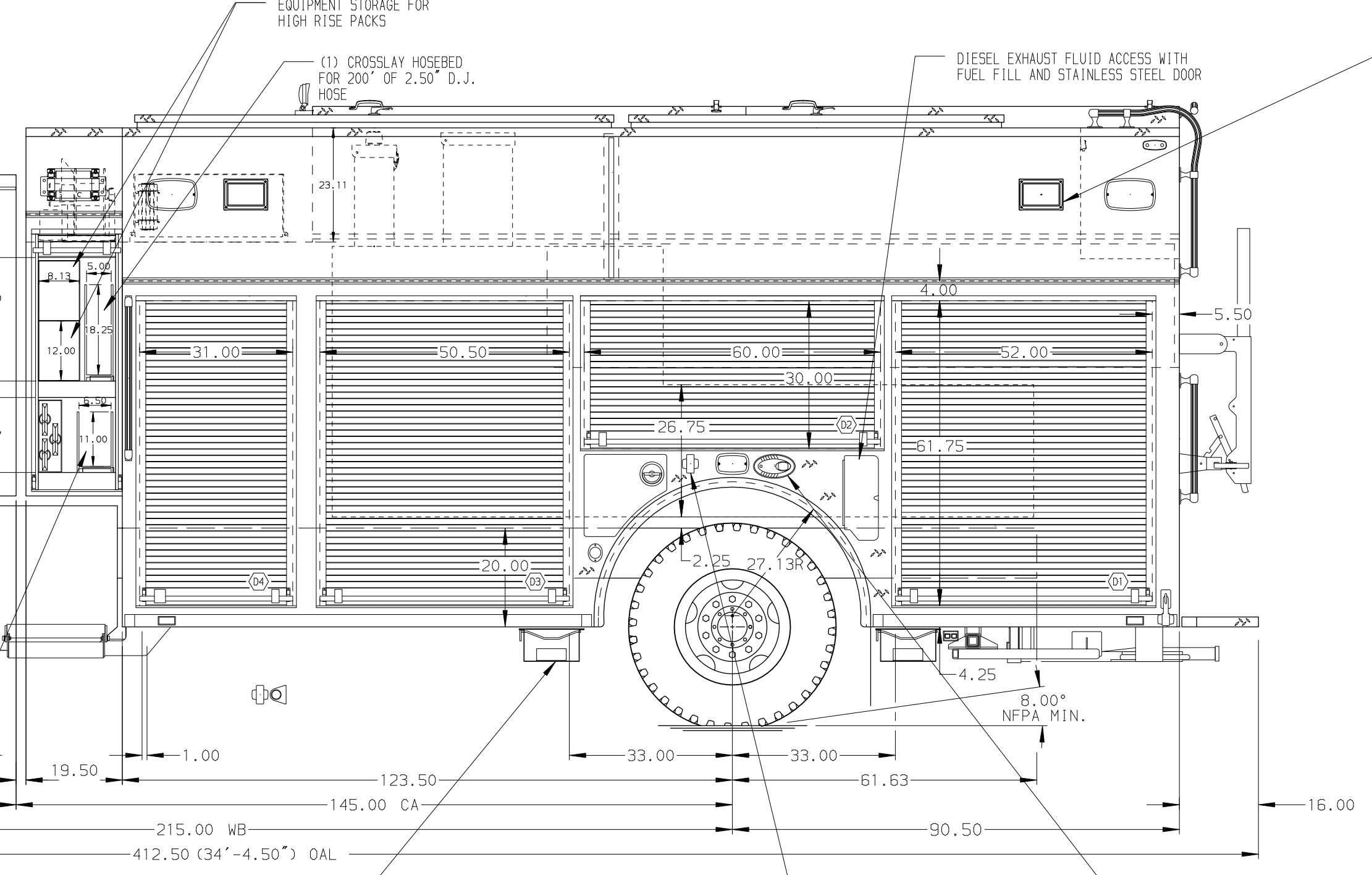
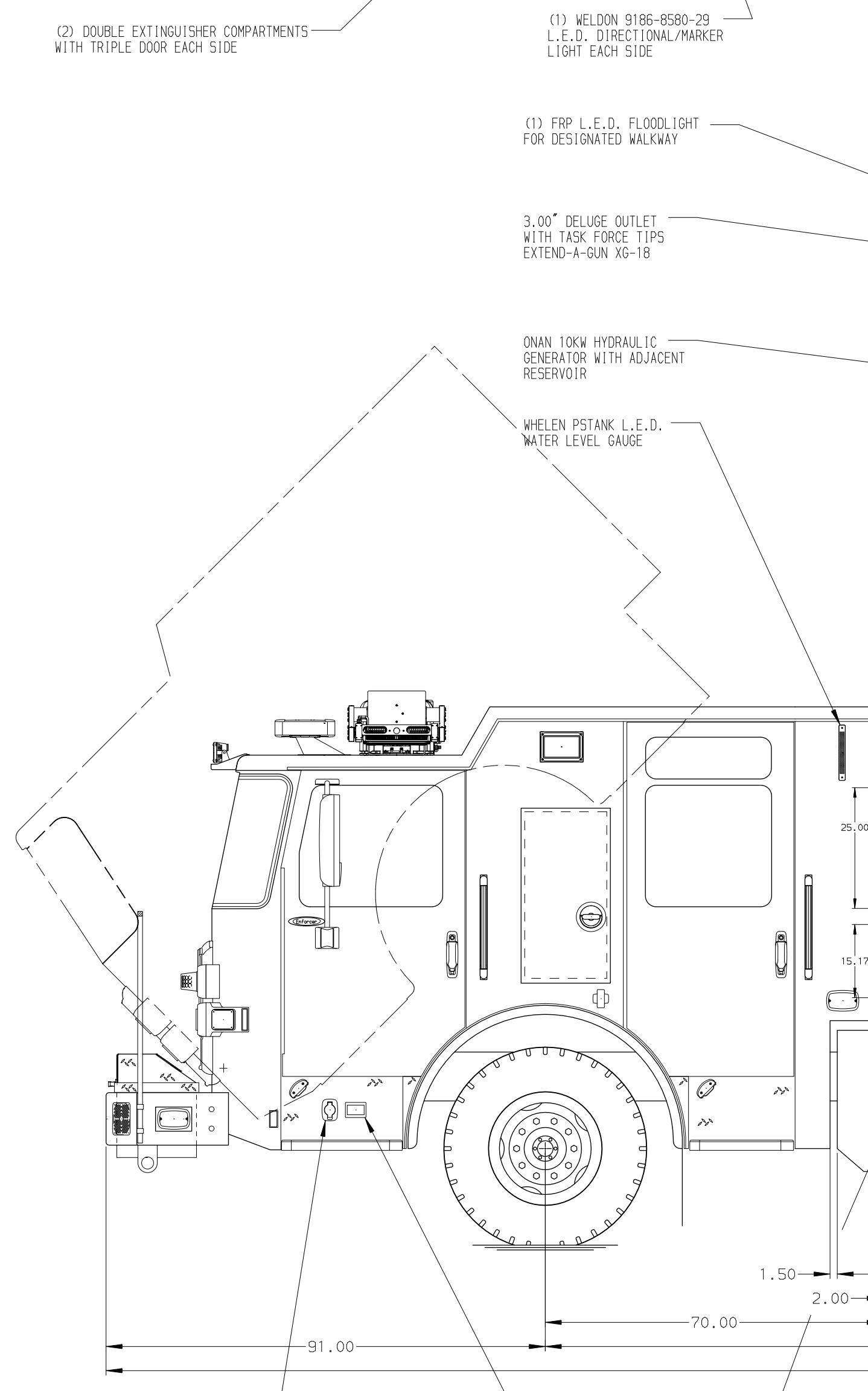
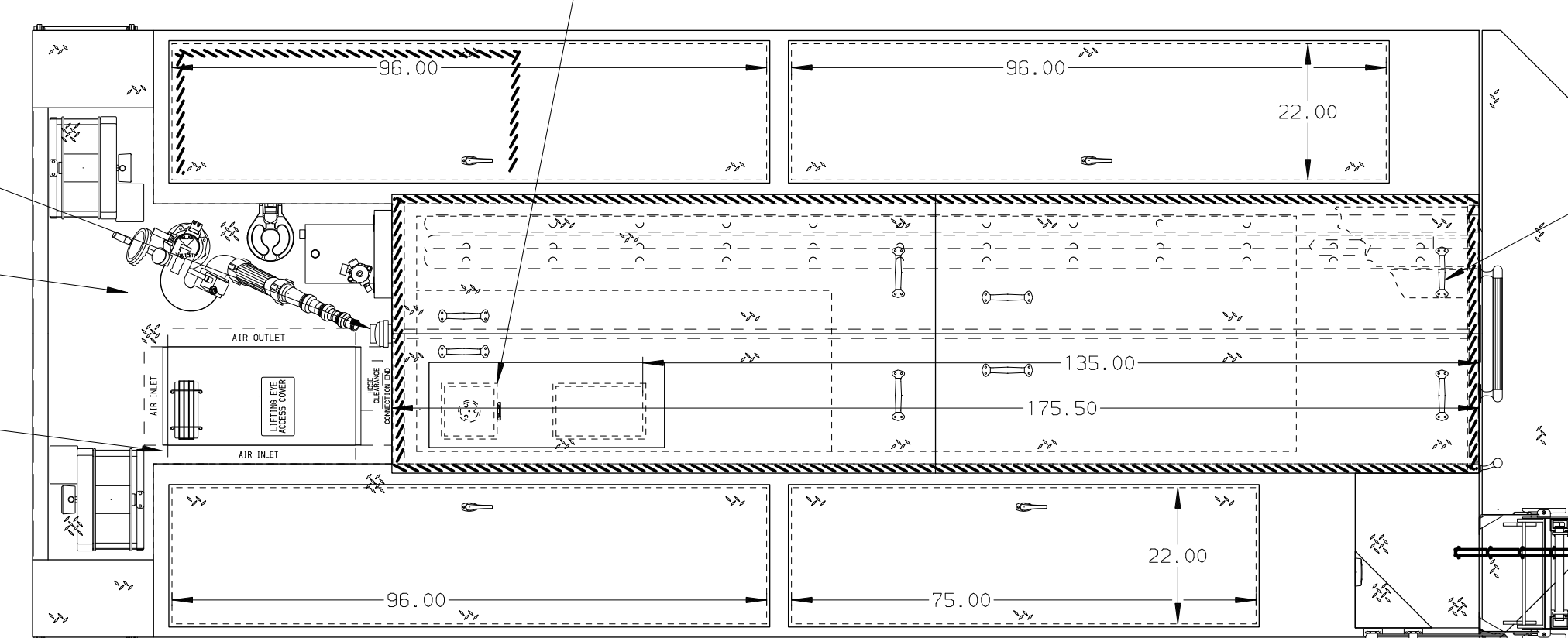
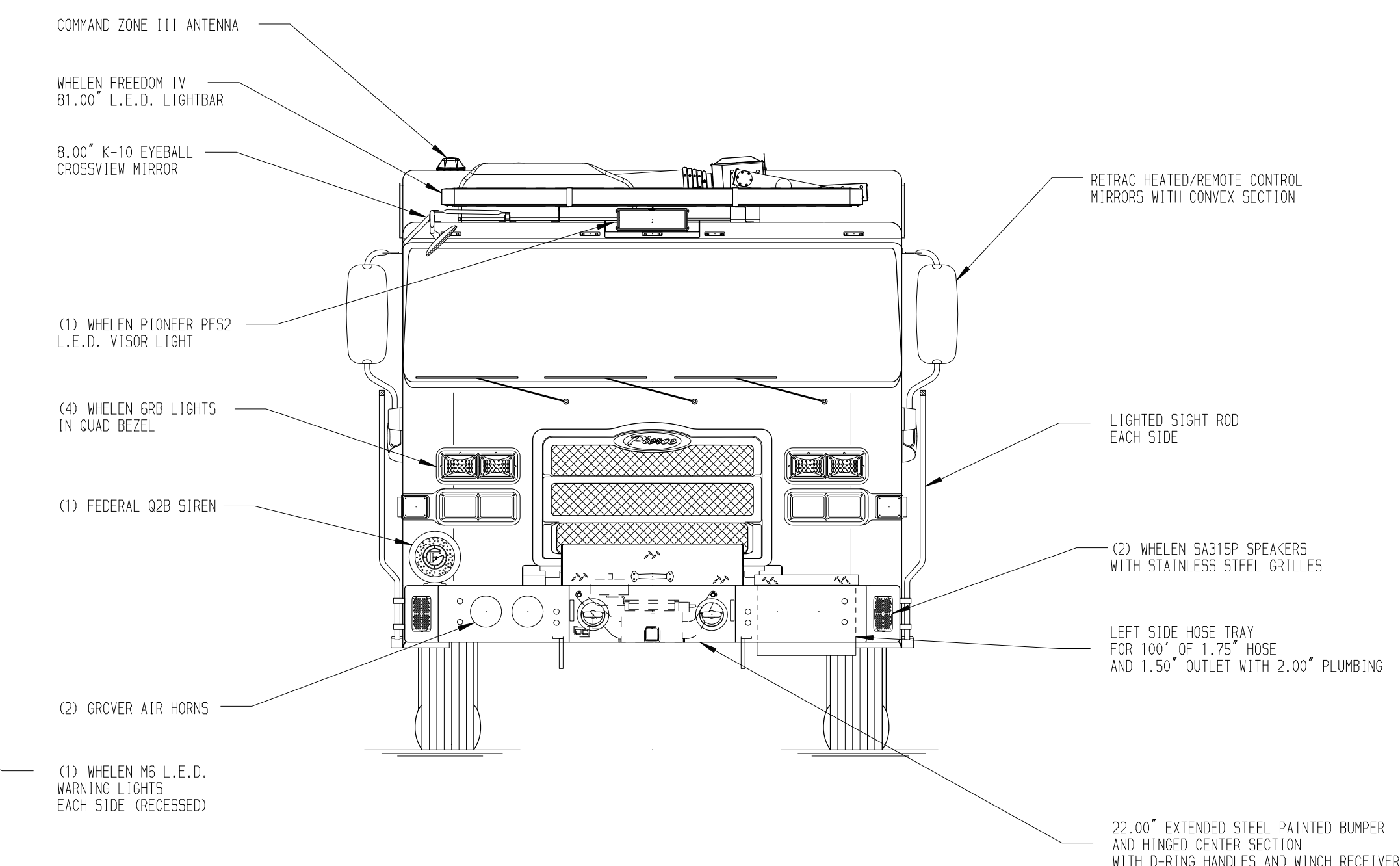
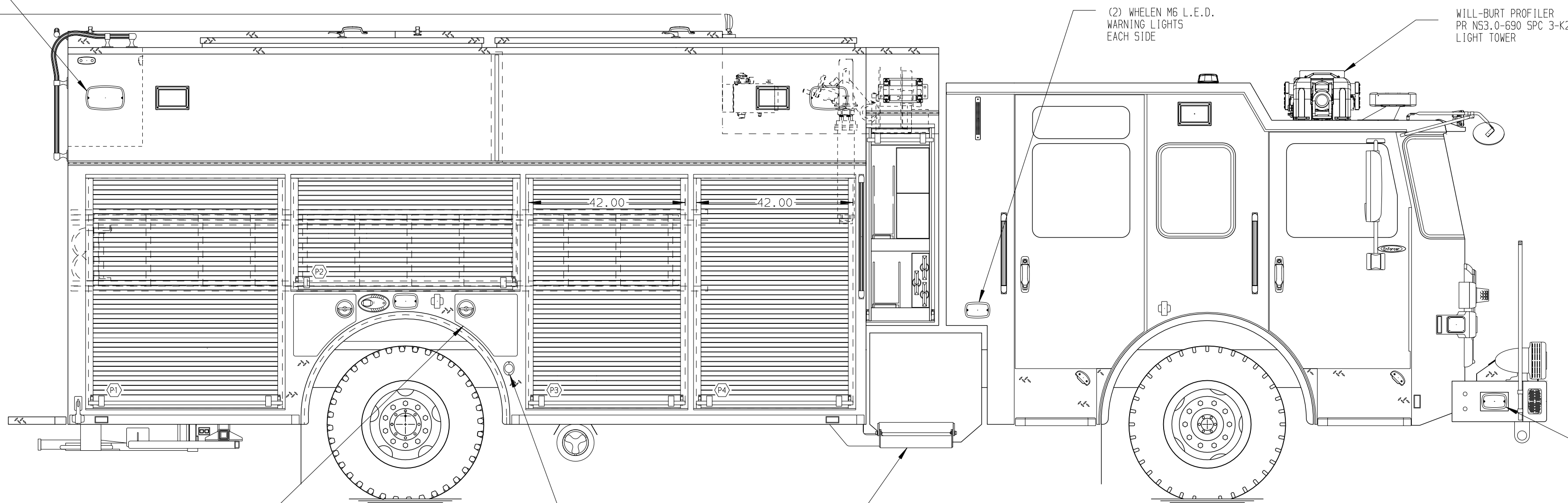


(2) WHELEN M9 L.E.D. WARNING LIGHTS EACH SIDE
 131.00 (10'-11") APPROX O.A.H.



HOSEBED CAPACITIES
 ① 1000' OF 5.00" D.J. HOSE
 ② 350' OF 3.00" D.J. HOSE

ALUMINUM BODY

SIDE ROLL AND FRONTAL IMPACT PROTECTION

NOTE
 DIMENSIONS SHOWN ARE APPROXIMATE AND ARE SUBJECT TO MINOR DEVIATIONS AS MAY OCCUR OR BE NECESSARY IN CONSTRUCTION. MINOR DETAILS NOT SHOWN.

- 1. ONSPOT AUTOMATIC TIRE CHAINS TO BE PROVIDED AT REAR
- 2. AIR OUTLET WITH SHUT-OFF VALVE LOCATED ON DS PUMP PANEL
- 3. VOGEL LUBE SYSTEM PUMP LOCATED PER SHOP ORDER
- 4. BATTERY CHARGE INDICATOR LOCATED ON DRIVER'S SEAT RISER
- 5. DUAL L.E.D. LIGHT STRIPS LOCATED IN HOSE BED
- 6. ONE ADJUSTABLE SLIDE-OUT TRAY IN COMPARTMENT TBD
- 7. ONE ADJUSTABLE TILTING SLIDE-OUT TRAY IN COMPARTMENT P2
- 8. ONE SWING-OUT ALUMINUM TOOL BOARD IN COMPARTMENT D2 & P2
- 9. ALUMINUM TOOLBOARD MOUNTED TO SLIDE-OUT TRAY IN COMPARTMENT TBD
- 10. TWO VERTICAL DIVIDERS IN COMPARTMENT R1
- 11. CIRCUIT BREAKER PANEL IN COMPARTMENT D3
- 12. ONE HANNAY ELECTRIC REWIND CORD REEL MODEL 1618-17-18 LOCATED TBD
- 13. ONE FULL WIDTH/DEPTH ADJUSTABLE SHELF LOCATED IN COMPARTMENT D1, D2, D3, P1, P2, & P3
- 14. ONE FLOOR MOUNTED SLIDE OUT TRAY LOCATED IN COMPARTMENT D3 & R1

REV	DATE	BY	CH	ENFORCER
05MAR18		MMF	JGO	
24OCT17		MMF	JGO	
03OCT17		MMF	GHO	

		JOB NO.	31443
		SCALE	1:24
TITLE 1500-D-680P 650 GAL WATER 30 GAL FOAM, 214" PUC RESCUE, (2) XLAYS, LDDRS THRU BODY, DELUGE, GENERATOR		DRAWN BY	MMF
		CHECKED BY	CSH
FOR STAMFORD FIRE DEPARTMENT STAMFORD, CONNECTICUT		DWG NO.	31443AD
		SHEET NO.	D
		DATE	13JUL17
		SHEET SIZE	1 OF 1