

- HOSEBED CAPACITIES
- ① 300' OF 3.00" D.J. POLY HOSE
  - ② 150' OF 3.00" D.J. POLY HOSE
  - ③ 150' OF 3.00" D.J. POLY HOSE
  - ④ 1000' OF 5.00" D.J. POLY HOSE

SURFACE DESIGNATION AND PATHWAY MARKINGS

(2) 2.50" OUTLETS

(3) 0.25" SINGLE SHEET HOSEBED DIVIDERS

(2) UNITY AG DECKLIGHTS

(1) WHELEN M6 L.E.D. WARNING LIGHT EACH SIDE

WHELEN P5000RR L.E.D. STOP LIGHT

PIERCE BACKUP CAMERA (RECESSED)

(2) WHELEN M6 L.E.D. WARNING LIGHTS

(2) WHELEN M6 L.E.D. SCENE LIGHTS

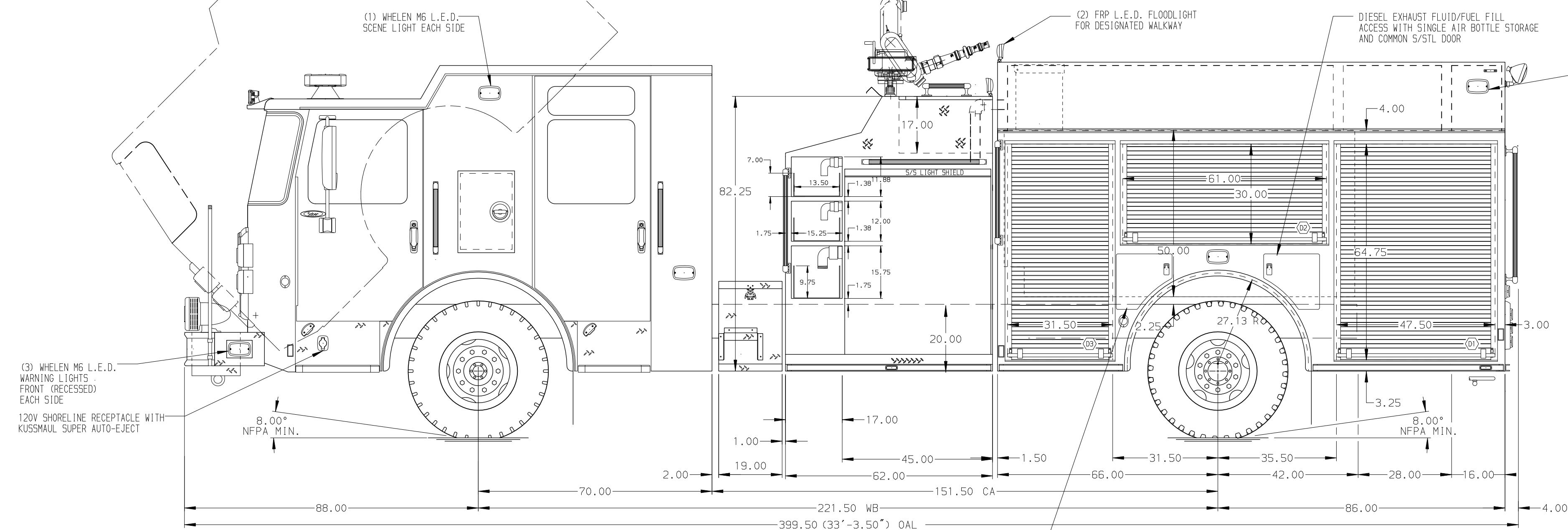
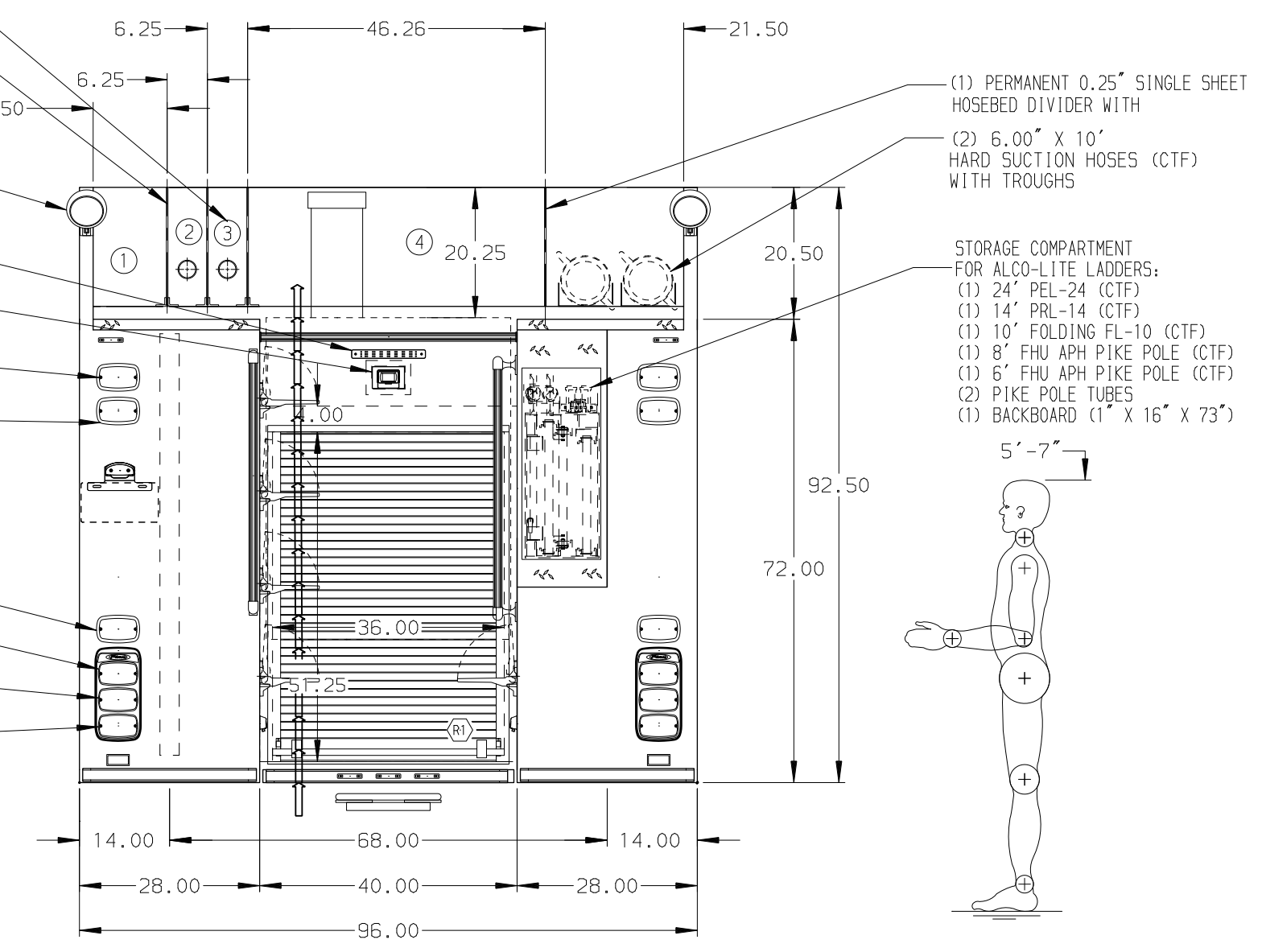
(2) WHELEN M6 L.E.D. WARNING LIGHTS

(2) WHELEN M6 L.E.D. STOP/TAIL LIGHTS

(2) WHELEN M6 L.E.D. DIRECTIONAL LIGHTS

(2) WHELEN M6 L.E.D. BACK-UP LIGHTS

LIGHTS MOUNTED IN WHELEN M6 "PIERCE" BEZELS



ALUMINUM BODY      MAXIMUM O.A.L. 420.00"      MAXIMUM O.A.H. 129.00"

NOTE  
DIMENSIONS SHOWN ARE APPROXIMATE AND ARE SUBJECT TO MINOR DEVIATIONS AS MAY OCCUR OR BE NECESSARY IN CONSTRUCTION. MINOR DETAILS NOT SHOWN.

REV	DATE	BY	CH	SABER FR
14AUG17	JLA	RW1		
27JUN17	JAF	RW1		
10MAY17	LST	JBL		

		JOB NO.	31445
		SCALE	01-03
TITLE 2000-D-750 GAL POLY, 152" BODY LDRS BTWN. TANK AND S. SHEET, (3) SPEEDLAYS, DELUGE		DATE	
		DRAWN BY	LST
FOR HILLSBOROUGH COUNTY FIRE RESCUE TAMPA, FLORIDA		CHECKED BY	JBL
		SHEET NO.	04MAY17
DWG NO. 31445AD		SHEET SIZE	D
		DATE	1 OF 1