

PASSENGER'S SIDE COMPARTMENTS CONTAIN THE FOLLOWING:

COMPARTMENT P1 CONTAINS:

- (1) VERTICAL COMPARTMENT DIVIDER (ADJUSTABLE)
- (2) 22" DP ADJ. SHELVES

COMPARTMENT P2 CONTAINS:

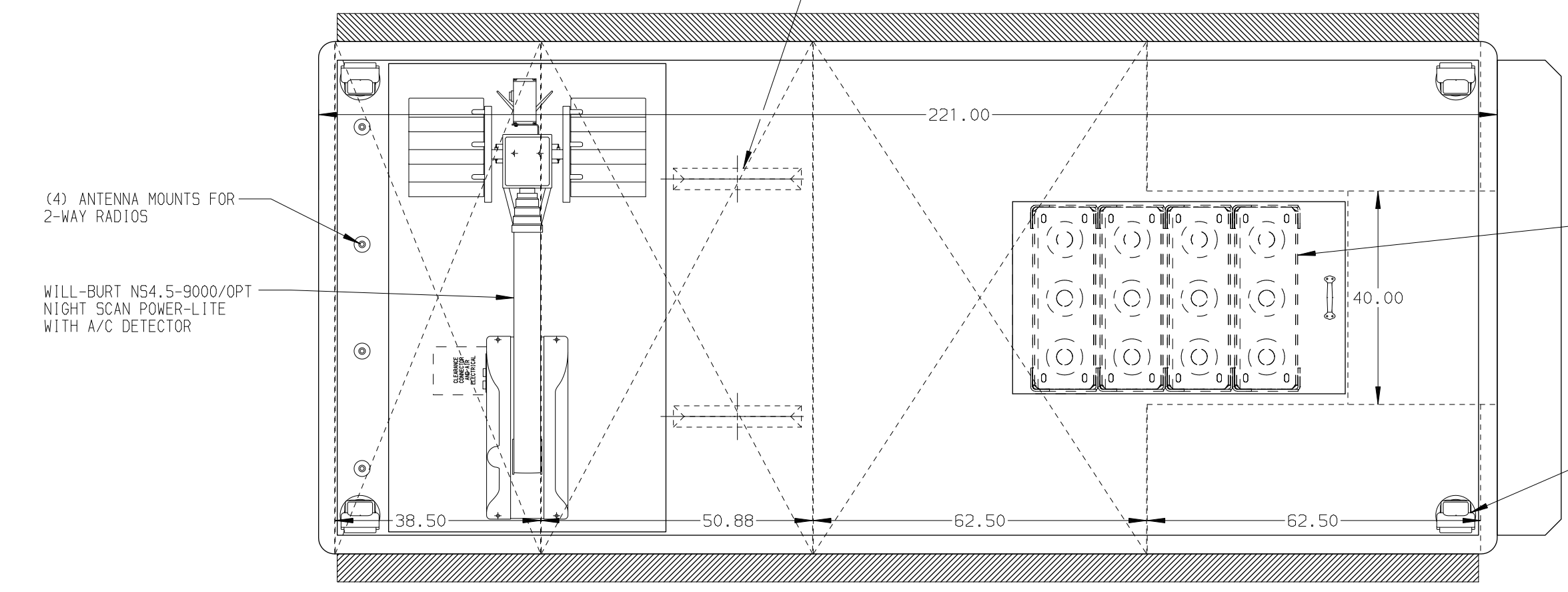
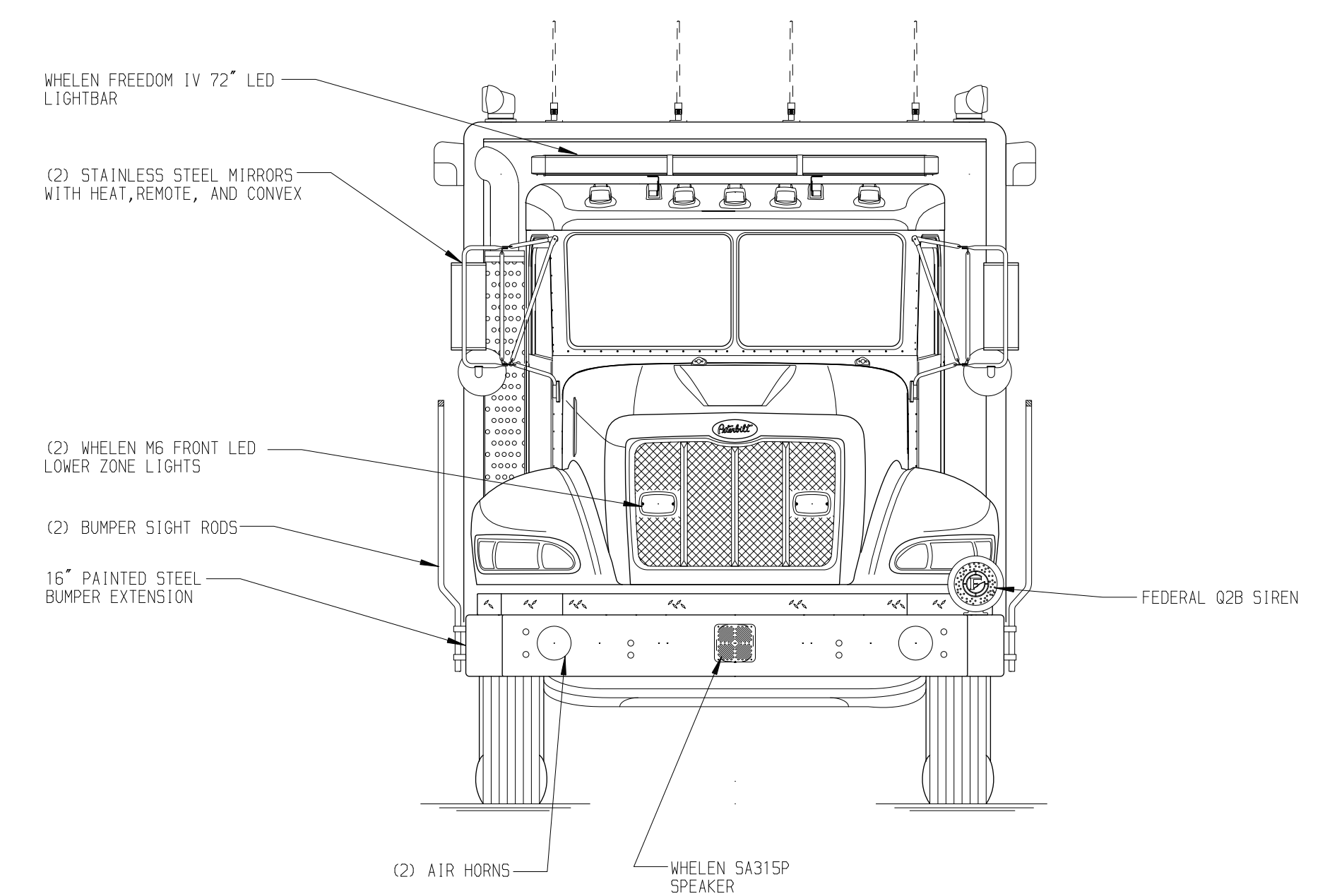
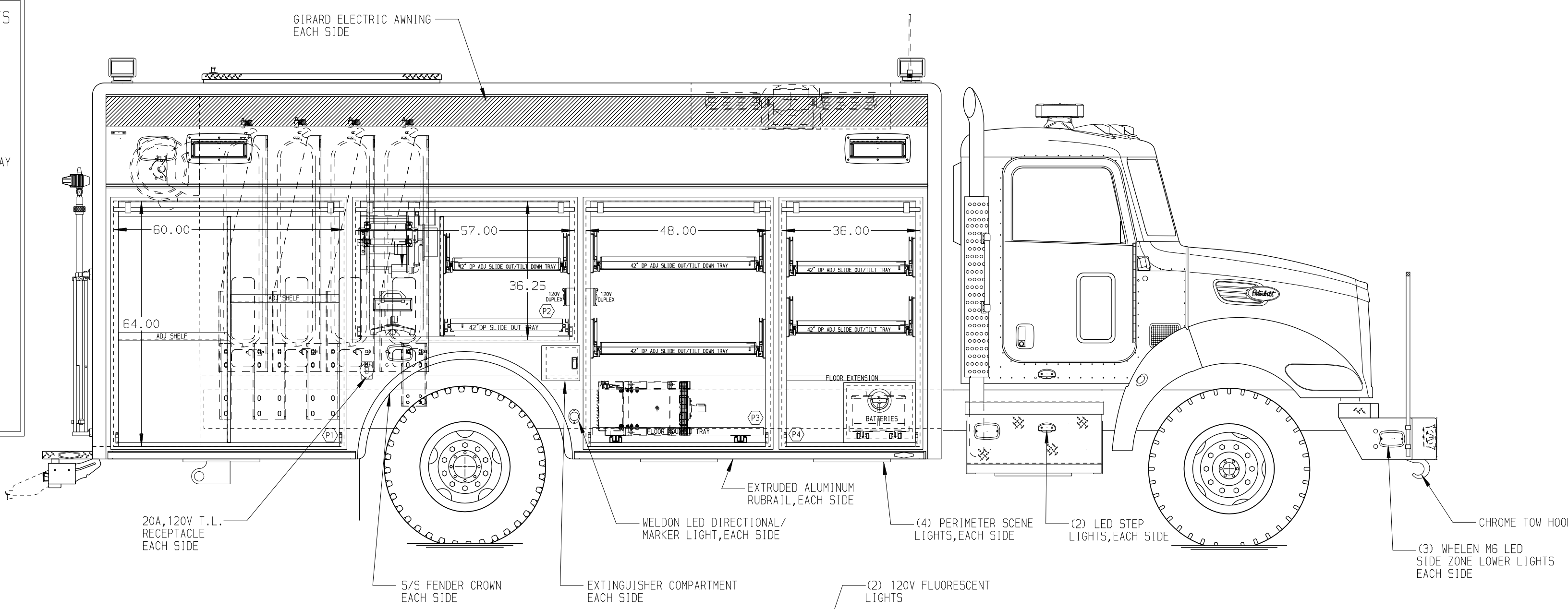
- (1) 42" DP FLOOR MOUNTED SLIDE OUT TRAY
- (1) 42" DP ADJ. SLIDE OUT/TILT TRAY
- (1) VERTICAL COMPARTMENT DIVIDER
- (1) ELECTRIC CORD REEL W/200' OF 10/3 YELLOW CORD
- (1) 15A, 120V DUPLEX RECEPTACLE
- (2) 120V, 750W PORTABLE FOCUS LIGHTS

COMPARTMENT P3 CONTAINS:

- (1) 22" DP FLOOR MOUNTED TRAY
- (2) 42" DP ADJ. SLIDE OUT/TILT TRAYS
- (1) 15A, 120V DUPLEX RECEPTACLE

COMPARTMENT P4 CONTAINS:

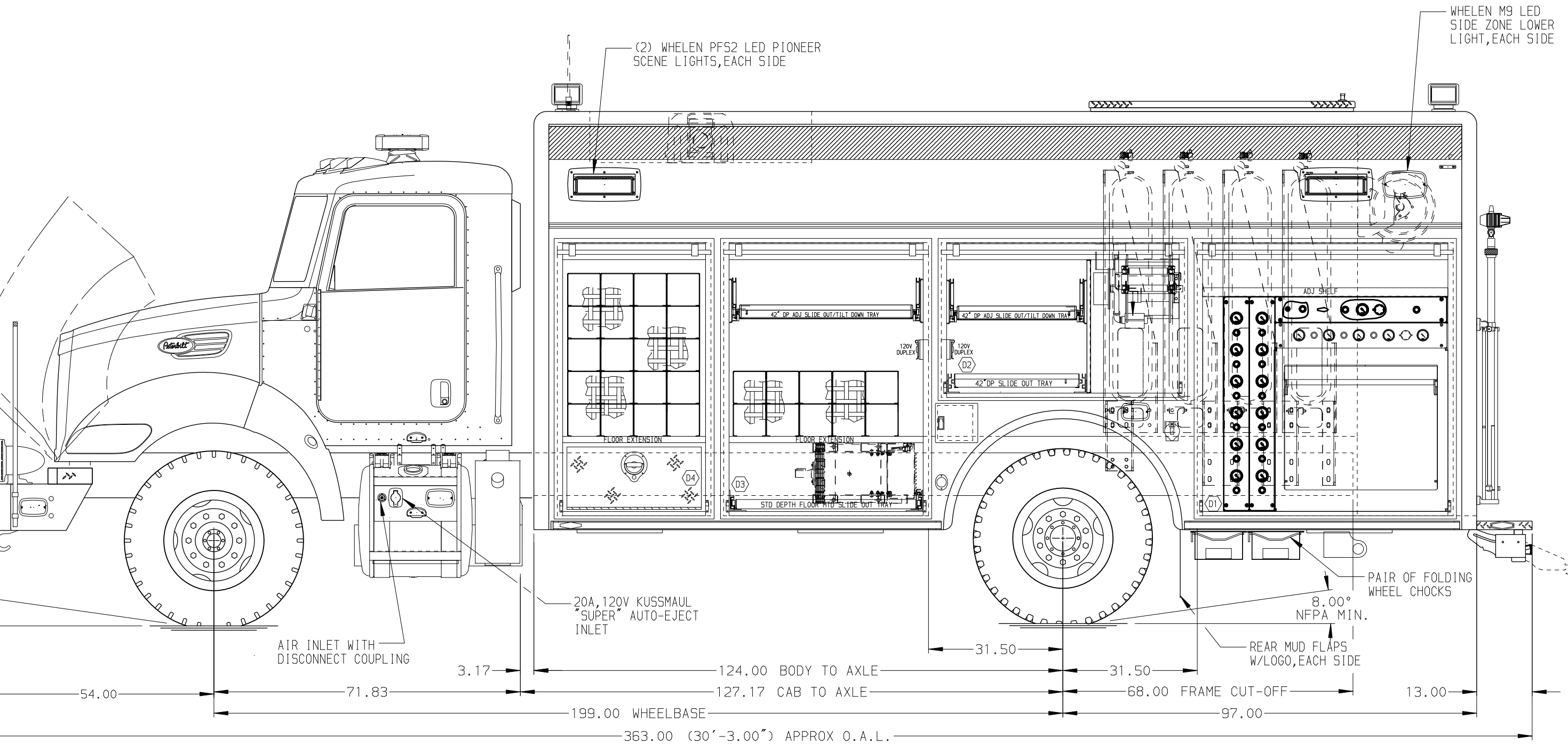
- (1) HORIZONTAL FLOOR EXTENSION
- (2) BATTERIES FOR CHASSIS
- (2) 42" DP ADJ. SLIDE OUT/TILT TRAYS



REAR COMPARTMENT CONTAINS THE FOLLOWING:

COMPARTMENT R1 CONTAINS:

- (1) 22" DP FLOOR MOUNTED TRAY
- (1) 15A, 120V DUPLEX RECEPTACLE
- (1) HIGH PRESSURE AIR REEL W/300' OF HOSE
- (1) 22" DP ADJ. SHELF
- (1) HASKEL AIR BOOSTER PUMP
- (1) CIRCUIT BREAKER PANEL
- (1) GENERATOR METER PANEL
- (1) SUB FEED BOX
- (1) NIGHT SCAN CONTROLLER
- (1) KUSSMAUL 1200 CHARGER



DRIVER'S SIDE COMPARTMENTS CONTAIN THE FOLLOWING:

COMPARTMENT D1 CONTAINS:

- (1) 22" DP ADJ. SHELF
- (1) BAUER 3 BOTTLE FILL ENCLOSURE
- (1) CASCADE SYSTEM CONTROL PANEL
- (1) AIR DRAIN VALVES
- (1) 2-WAY RADIO

COMPARTMENT D2 CONTAINS:

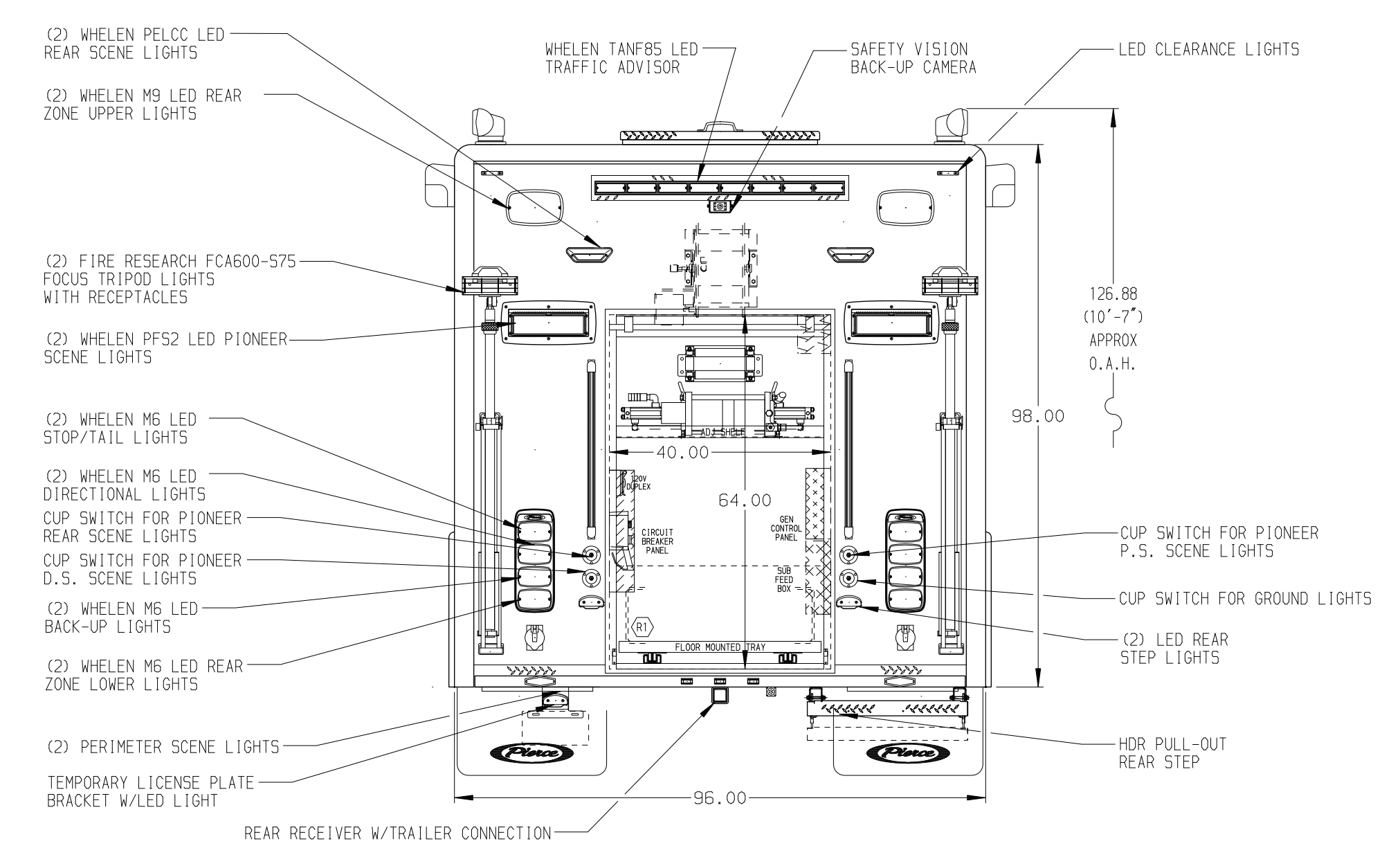
- (1) 42" DP FLOOR MOUNTED SLIDE OUT TRAY
- (1) 42" DP ADJ. SLIDE OUT/TILT TRAY
- (1) VERTICAL COMPARTMENT DIVIDER
- (1) ELECTRIC CORD REEL W/200' OF 10/3 YELLOW CORD
- (1) 15A, 120V DUPLEX RECEPTACLE

COMPARTMENT D3 CONTAINS:

- (1) 22" DP FLOOR MOUNTED TRAY
- (1) 42" DP ADJ. SLIDE OUT/TILT TRAY
- (1) 15A, 120V DUPLEX RECEPTACLE
- (1) RACK FOR 20 SCBA BOTTLES (2 BOTTLES PER SLOT)
- (1) HORIZONTAL FLOOR EXTENSION
- (1) CARGO RETENTION NETTING OVER RACK

COMPARTMENT D4 CONTAINS:

- (1) HORIZONTAL FLOOR EXTENSION
- (1) DROP DOWN TREADPLATE DOOR W/LOCK
- (1) CARGO RETENTION NETTING OVER RACK
- (1) RACK FOR 40 SCBA BOTTLES (EACH SLOT TO HOLD 2 BOTTLES)



NOTE
DIMENSIONS SHOWN ARE APPROXIMATE AND ARE SUBJECT TO MINOR DEVIATIONS AS MAY OCCUR OR BE NECESSARY IN CONSTRUCTION. MINOR DETAILS NOT SHOWN.

- NOTES:**
- ONSPOT AUTOMATIC TIRE CHAINS
 - BATTERY CHARGE INDICATOR LIGHT LOCATED ON DRIVER'S SEAT RISER
 - PULL STRAPS FOR ALL BODY ROLL-UP DOORS
 - 5/5 GUARD FOR ROLL-UP DOOR IN R1
 - PIERCE DUAL LED LIGHT STRIPS IN ALL BODY COMPARTMENTS
 - HANDHELD CAB SPOTLIGHT LOCATED ON OFFICER'S SIDE OF DASH
 - ONAN 35kW SINGLE PHASE PTO DRIVEN GENERATOR WITH SPLASH GUARD LOCATED BETWEEN THE FRAME RAILS

CLEAR DOOR WIDTH KEY		CHASSIS DATA	
AMDR ROLL UP DOORS:	-1 7/8"	MAKE	
CORTITE ROLL UP DOORS:	-2 3/4"	MODEL	
PIERCE DOUBLE LAP DOORS:	-4 1/4"	REV	
PIERCE LIFT-UP LAP DOORS:	-1 1/2"	DATE	
(EX: 60" F-F - 1 7/8" = 58 1/8" CLEAR)		BY	
(F-F) = FRAME TO FRAME		CH	

		JOB NO.	31488
		SCALE	DATE
HEAVY DUTY RESCUE NON-WALKIN		DRAWN BY	DHE 24JUL17
		CHECKED BY	CDK 27JUL17
WICHITA FIRE DEPARTMENT WICHITA, KS		DWG NO.	31488AD
		SHEET NO.	1 OF 1