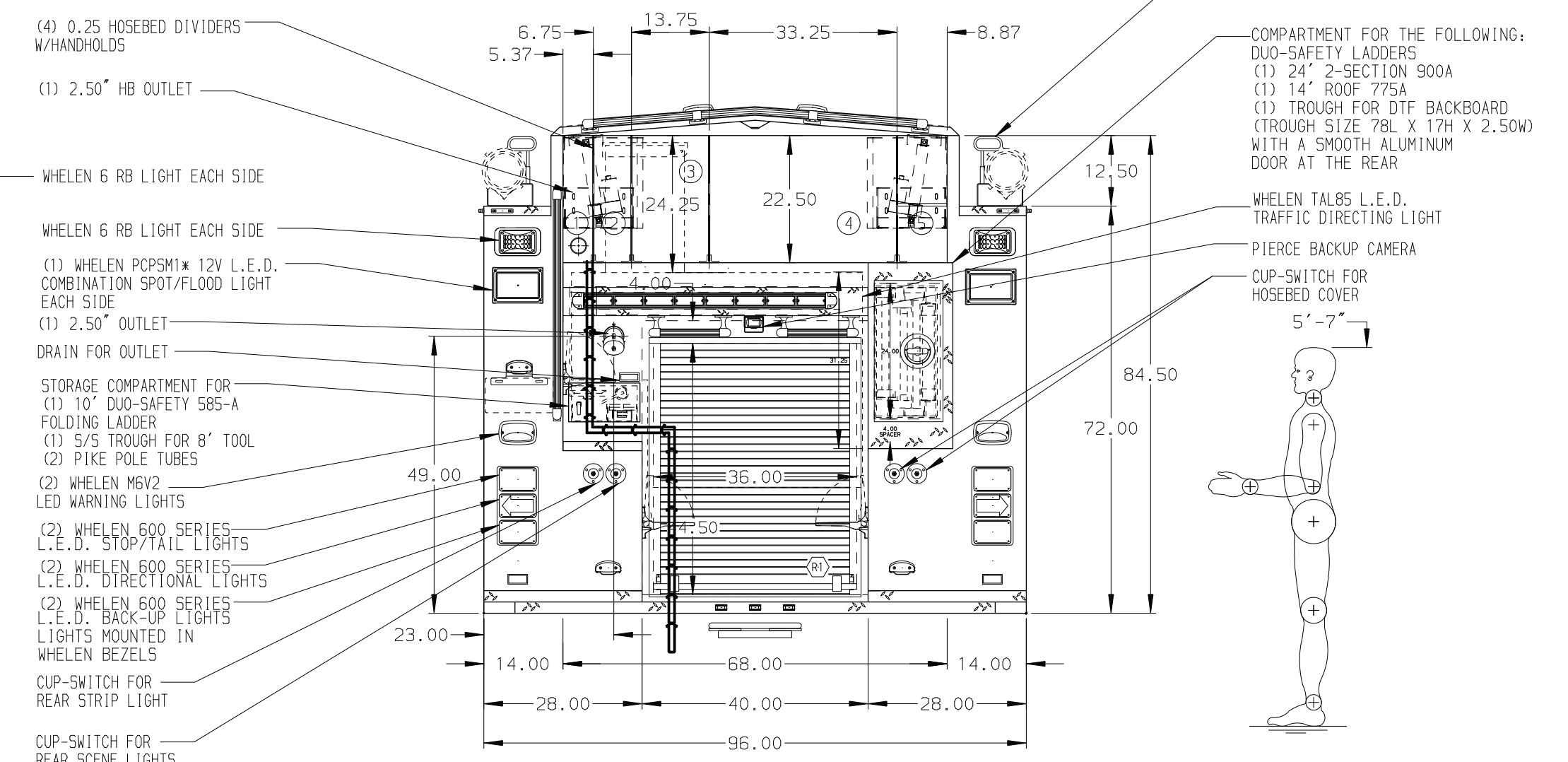
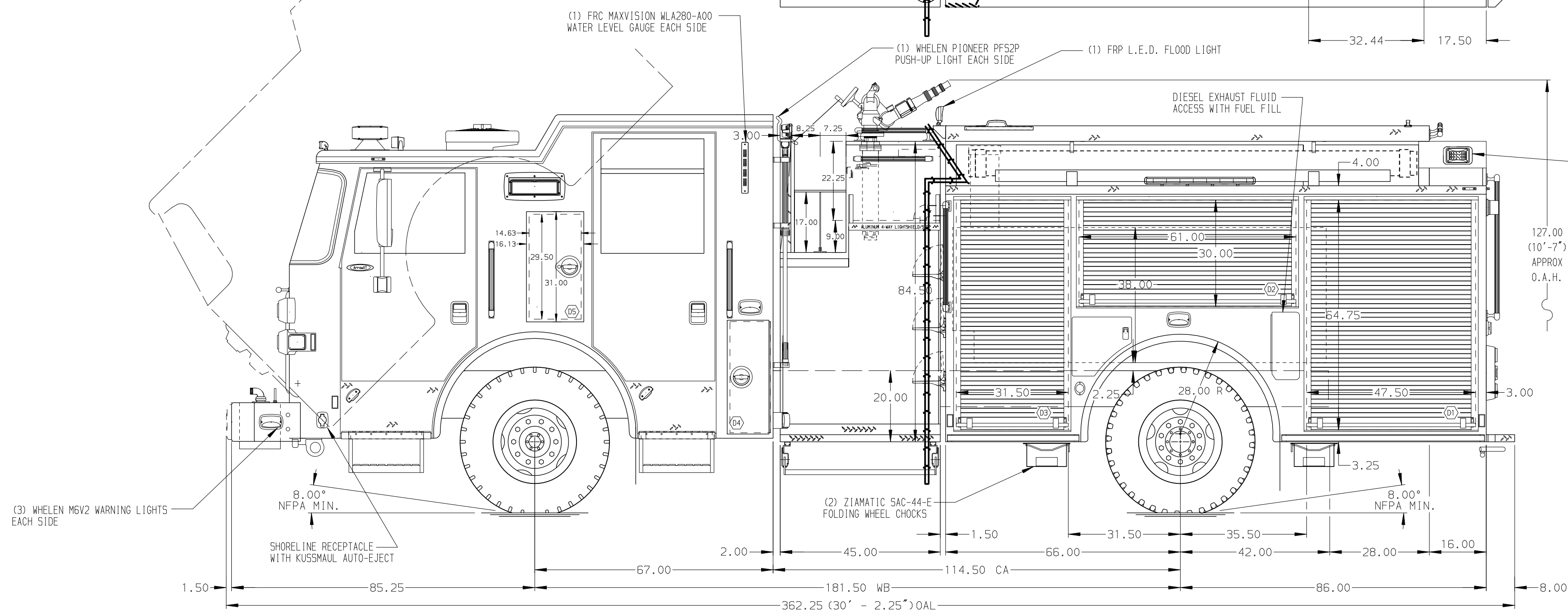


- HOSEBED CAPACITIES
- ① - 200' OF 2.50" HOSE
  - ② - 300' OF 1.75" HOSE
  - ③ - 600' OF 2.50" HOSE
  - ④ - 800' OF 5.00" HOSE
  - ⑤ - THREE 50' SECTIONS OF 2.50" HOSE BUNDLES



GALVANNEAL

SIDE ROLL AND FRONTAL IMPACT PROTECTION

NOTE  
 DIMENSIONS SHOWN ARE APPROXIMATE AND ARE SUBJECT TO MINOR DEVIATIONS AS MAY OCCUR OR BE NECESSARY IN CONSTRUCTION.  
 MINOR DETAILS NOT SHOWN.

1. AIR INLET/OUTLET WITH DISCONNECT FITTING LOCATED ON DS PUMP PANEL
2. BATTERY CHARGER INDICATOR LOCATED ON DRIVER'S SEAT WITH BRACKET
3. BATTERY CHARGER LOCATED IN CREW CAB SEAT RISER
4. ONE ADJUSTABLE FULL WIDTH/DEPTH SHELF IN COMPARTMENT D3, TWO IN P3 & R1, THREE IN D1 & P1
5. ONE FLOOR MOUNTED SLIDE-OUT TRAY IN COMPARTMENT R1
6. SWING-OUT TOOL BOARD WITH PEGBOARD PATTERN IN COMPARTMENT D2
7. ALUMINUM PEGBOARD WITH TRACKS ON THE REAR WALL OF COMPARTMENT D2, D3, P2 & P3
8. RESPOND READY STORAGE W/4 DRAWERS LOCATED IN COMPARTMENT D3
9. (2) MANSERVER BARS MOUNTED OUTBOARD SIDES OF CARGO AREA

REV	DATE	BY	CH	ARROW	XT
19FEB18	AMI	CHR	MAKE		
20OCT17	AMI	CHR	PIERCE		
29SEP17	AMI	CHR	MODEL		

		JOB NO.	31491
		SCALE	1:24
<b>MANUFACTURING INC.</b>		TITLE	1500-D-650P 152" PUMPER, (2) XLAYS, (2) HSH'S, DELUGE (1) REAR OUTLET, LADDERS BETWEEN TANK AND SIDE SHEET
		FOR	MENLO PARK FIRE PROTECTION DISTRICT MENLO PARK, CALIFORNIA
DWG NO. 31491AD		DRAWN BY	AMI 19JUL17
		CHECKED BY	SMA 19JUL17
SHEET NO. D		SHEET SIZE	1 OF 1