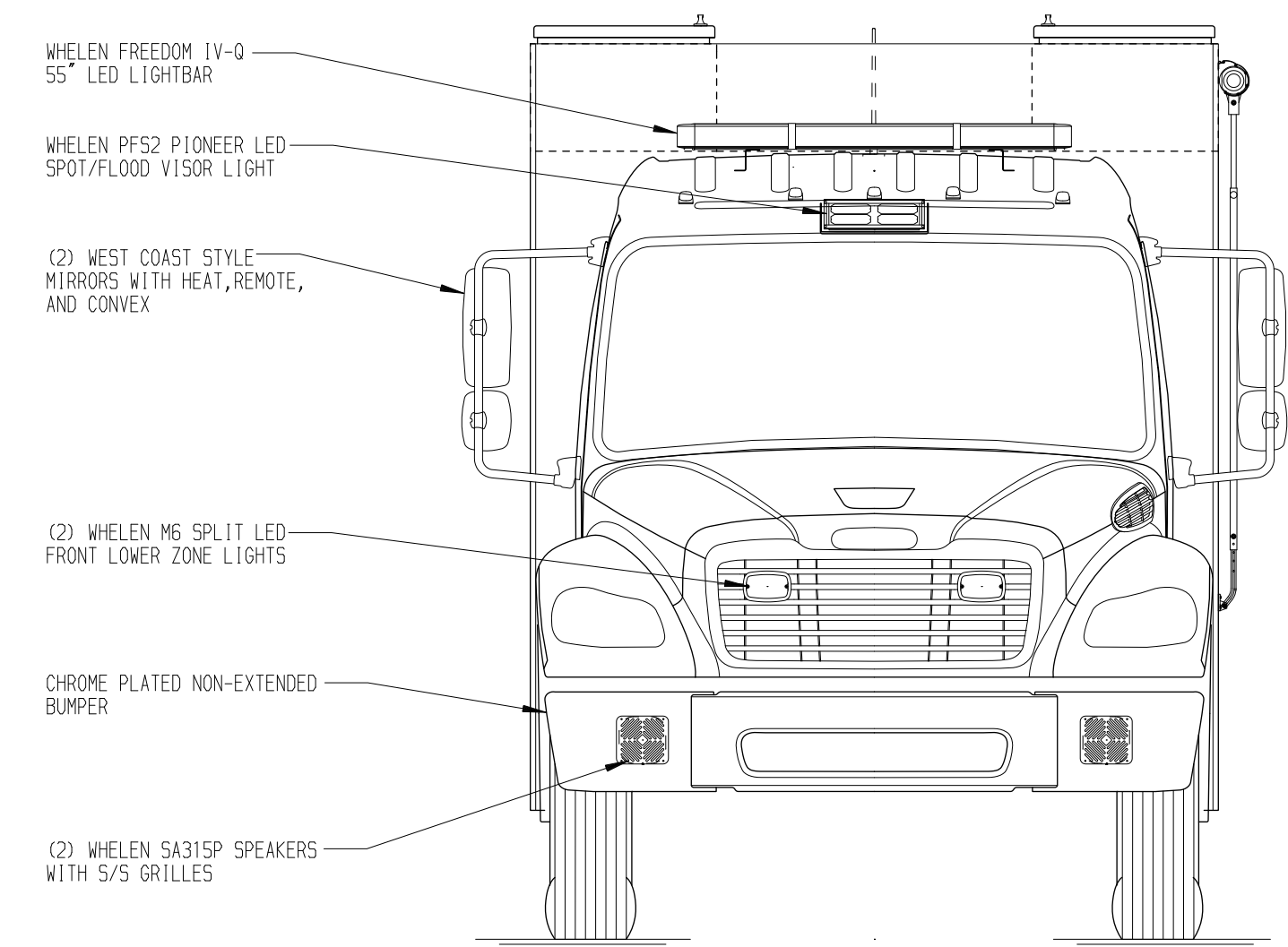
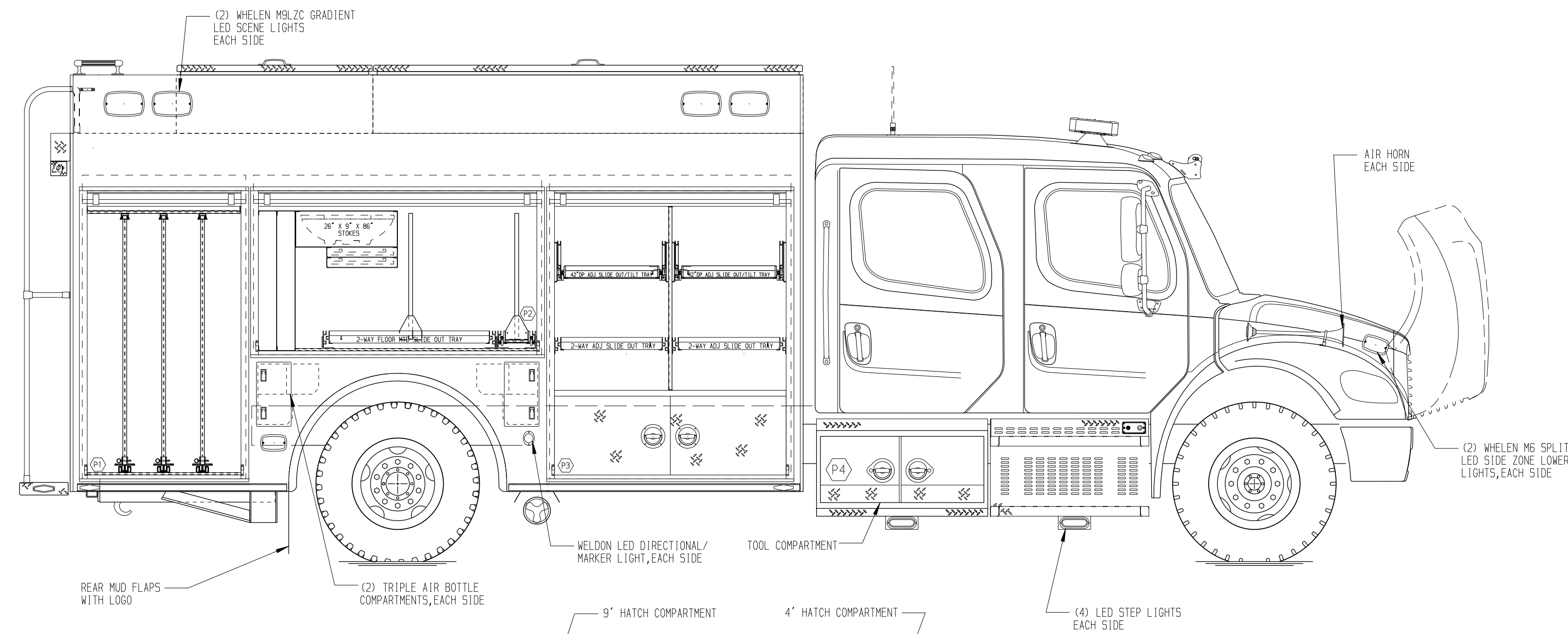


**PASSENGER'S SIDE COMPARTMENTS CONTAIN THE FOLLOWING:**

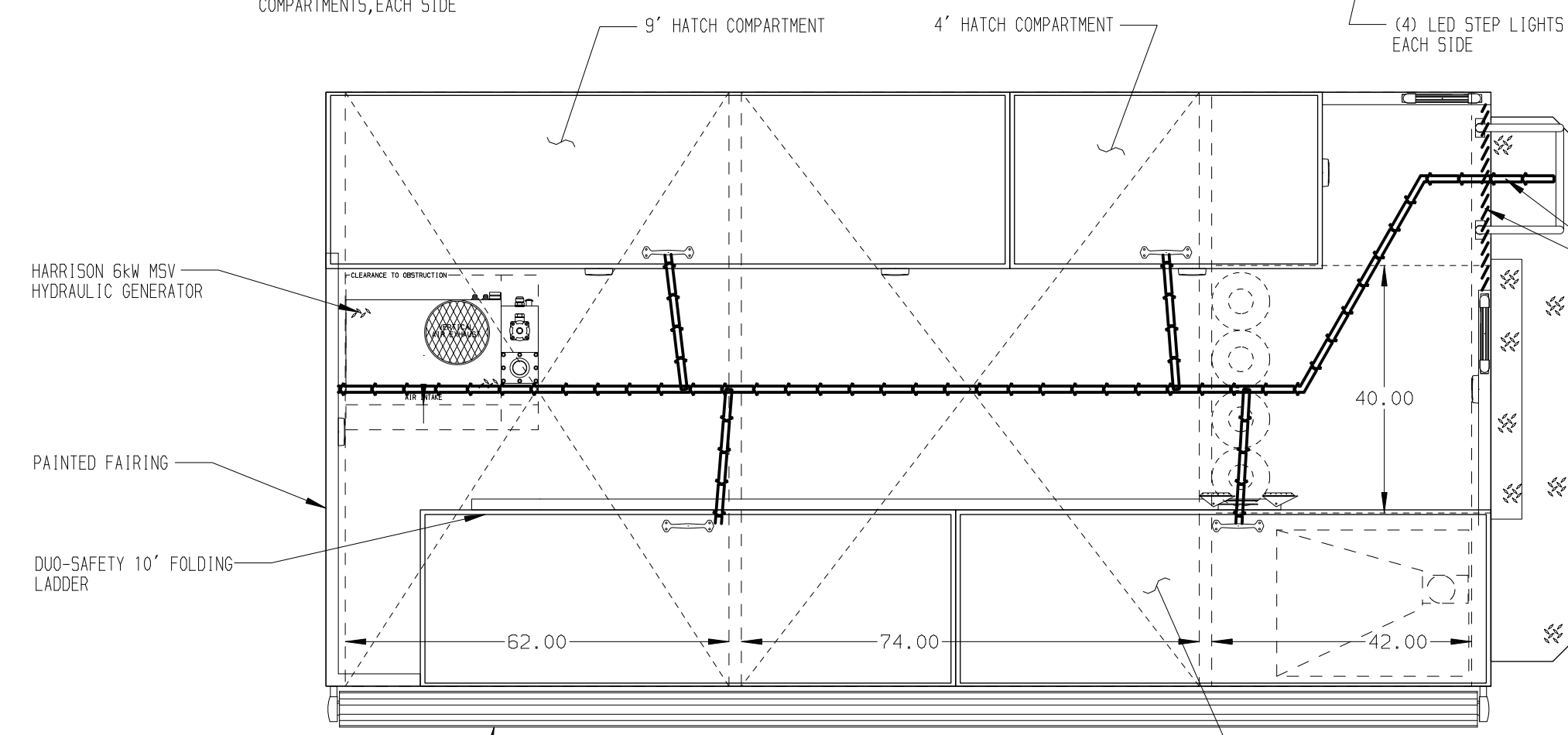
- COMPARTMENT P1 CONTAINS:  
 - (3) STD DEPTH ADJ SLIDE OUT TOOLBOARDS
- COMPARTMENT P2 CONTAINS:  
 - (1) STOKES BASKET RACK  
 - (1) 2-WAY ADJ SLIDE OUT TOOLBOARD  
 - (1) 2-WAY FLOOR MOUNTED SLIDE OUT TRAY WITH TOOLBOARD  
 - (1) RACK FOR 2 AIR BAGS  
 - (1) RACK FOR 2 BACKBOARDS

- COMPARTMENT P3 CONTAINS:  
 - (2) 2-WAY ADJ SLIDE OUT TRAYS  
 - (2) 1/2 DEPTH ADJ SLIDE OUT/TILT TRAYS  
 - (1) 2-WAY VERTICAL COMPARTMENT DIVIDER  
 - (1) HORIZONTAL FLOOR EXTENSION



**REAR COMPARTMENT CONTAINS THE FOLLOWING:**

COMPARTMENT R1 CONTAINS:  
 - (1) SPECIAL DEPTH ADJ SLIDE OUT TRAY WITH (2) TOOLBOARDS  
 - (1) SPECIAL DEPTH ADJ SLIDE OUT TRAY  
 - MOUNTING PROVISIONS FOR (4) CUSTOMER/DEALER INSTALLED CASCADE BOTTLES

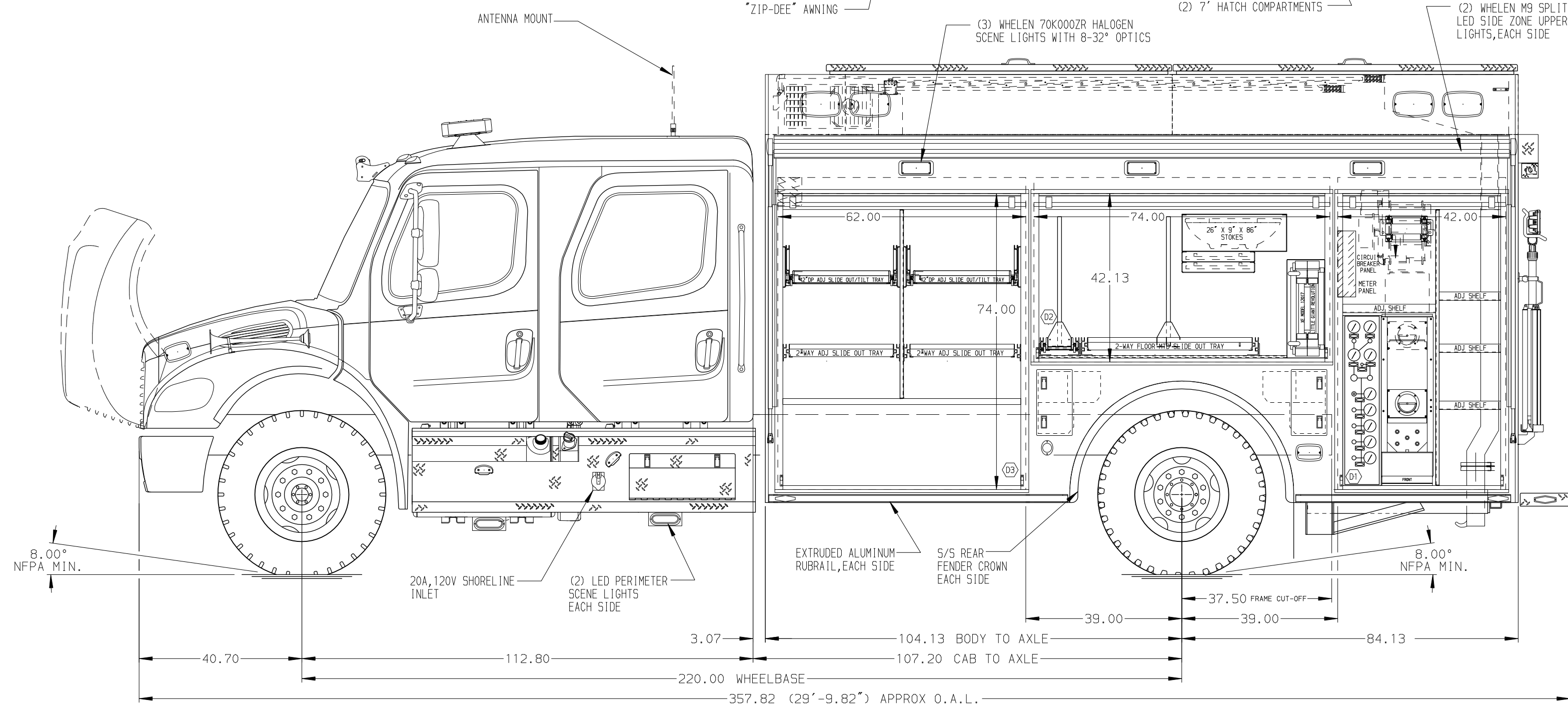
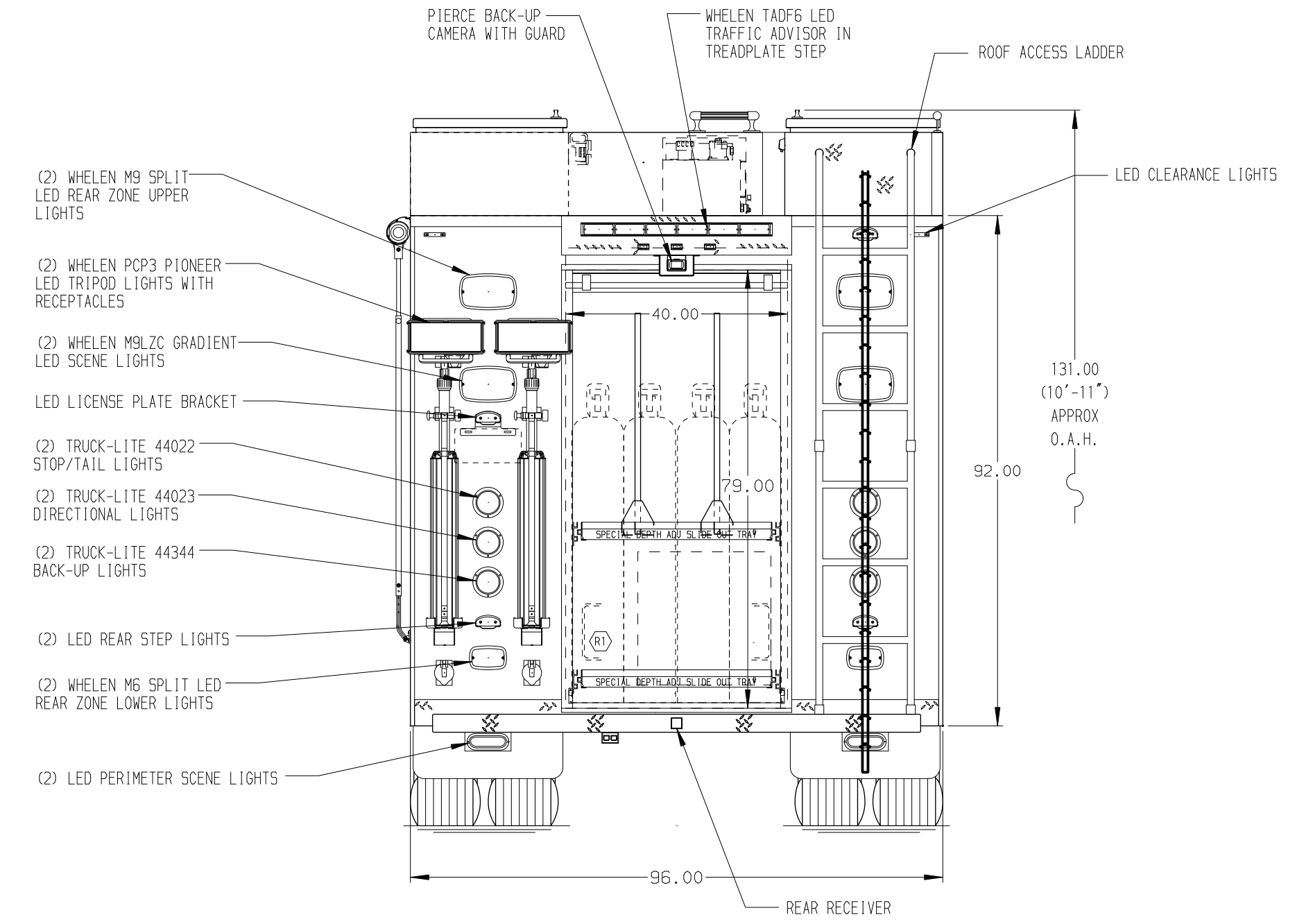


**DRIVER'S SIDE COMPARTMENTS CONTAIN THE FOLLOWING:**

- COMPARTMENT D1 CONTAINS:  
 - (4) SPECIAL DEPTH ADJ SHELVES  
 - (1) VERTICAL COMPARTMENT DIVIDER  
 - (1) OIL DRY HOPPER  
 - (1) CIRCUIT BREAKER PANEL  
 - (1) GENERATOR METER PANEL  
 - (1) CASCADE SYSTEM CONTROL PANEL  
 - (1) "SPACE SAVER" 2-BOTTLE FILL ENCLOSURE  
 - (1) ELECTRIC CORD REEL WITH 150' OF 10/3 BLACK CORD  
 - (2) 15/20A 120V DUPLEX RECEPTACLES  
 - (1) NEAR BREAKER PANEL  
 - (1) HIGH ON REAR BULKHEAD WALL

- COMPARTMENT D2 CONTAINS:  
 - (1) STOKES BASKET RACK  
 - (1) RACK FOR LITTLE GIANT LADDER  
 - (1) 2-WAY ADJ SLIDE OUT TOOLBOARD  
 - (1) 2-WAY FLOOR MOUNTED SLIDE OUT TRAY WITH TOOLBOARD  
 - (1) RACK FOR 2 BACKBOARDS

- COMPARTMENT D3 CONTAINS:  
 - (1) KUSSMAUL PUMP PLUS 1000 CHARGER  
 - (2) 2-WAY ADJ SLIDE OUT TRAYS  
 - (2) 1/2 DEPTH ADJ SLIDE OUT/TILT TRAYS  
 - (1) 2-WAY VERTICAL COMPARTMENT DIVIDER  
 - (1) HORIZONTAL FLOOR EXTENSION



**NOTE**  
 DIMENSIONS SHOWN ARE APPROXIMATE AND ARE SUBJECT TO MINOR DEVIATIONS AS MAY OCCUR OR BE NECESSARY IN CONSTRUCTION. MINOR DETAILS NOT SHOWN.

- NOTES:**
- BATTERY CHARGE INDICATOR LOCATED ON DRIVER'S SIDE SEAT RISER
  - TURTLE TILE MATTING ON TRAYS, BODY COMPARTMENT FLOORS WITHOUT TRAYS AND HATCH COMPARTMENT FLOORS
  - ELASTIC PULL STRAPS ON ALL BODY ROLL-UP DOORS
  - PIERCE DUAL LED STRIP LIGHTS IN ALL BODY COMPARTMENTS
  - TRUCK-LITE LED LIGHTS IN EACH ROOF HATCH COMPARTMENT

CLEAR DOOR WIDTH KEY		CHASSIS DATA	
AMDR ROLL UP DOORS:	-1 7/8"	040CT17	JSW CDK MAKE
CURTAIN ROLL UP DOORS:	-2 3/4"	10AUG17	DHE CDK FREIGHTLINER
PIERCE DOUBLE LAP DOORS:	-4 1/4"	30JUN17	ALZ AZU MODEL
PIERCE LIFT-UP LAP DOORS:	-1 1/2"	REV	DATE BY CH
(EX: 60" F-F - 1 7/8" = 58 1/8" CLEAR)		(F-F) = FRAME TO FRAME	

		JOB NO.	31565
		SCALE	DATE
TITLE	ENCORE RESCUE VEHICLE	DRAWN BY	DHE
FOR	MANCHESTER FIRE AND RESCUE	CHECKED BY	AZU
	MANCHESTER, IA	SHEET SIZE	SHEET NO.
	BRETT KRUEGER	DWG NO.	1 OF 1

31565AD