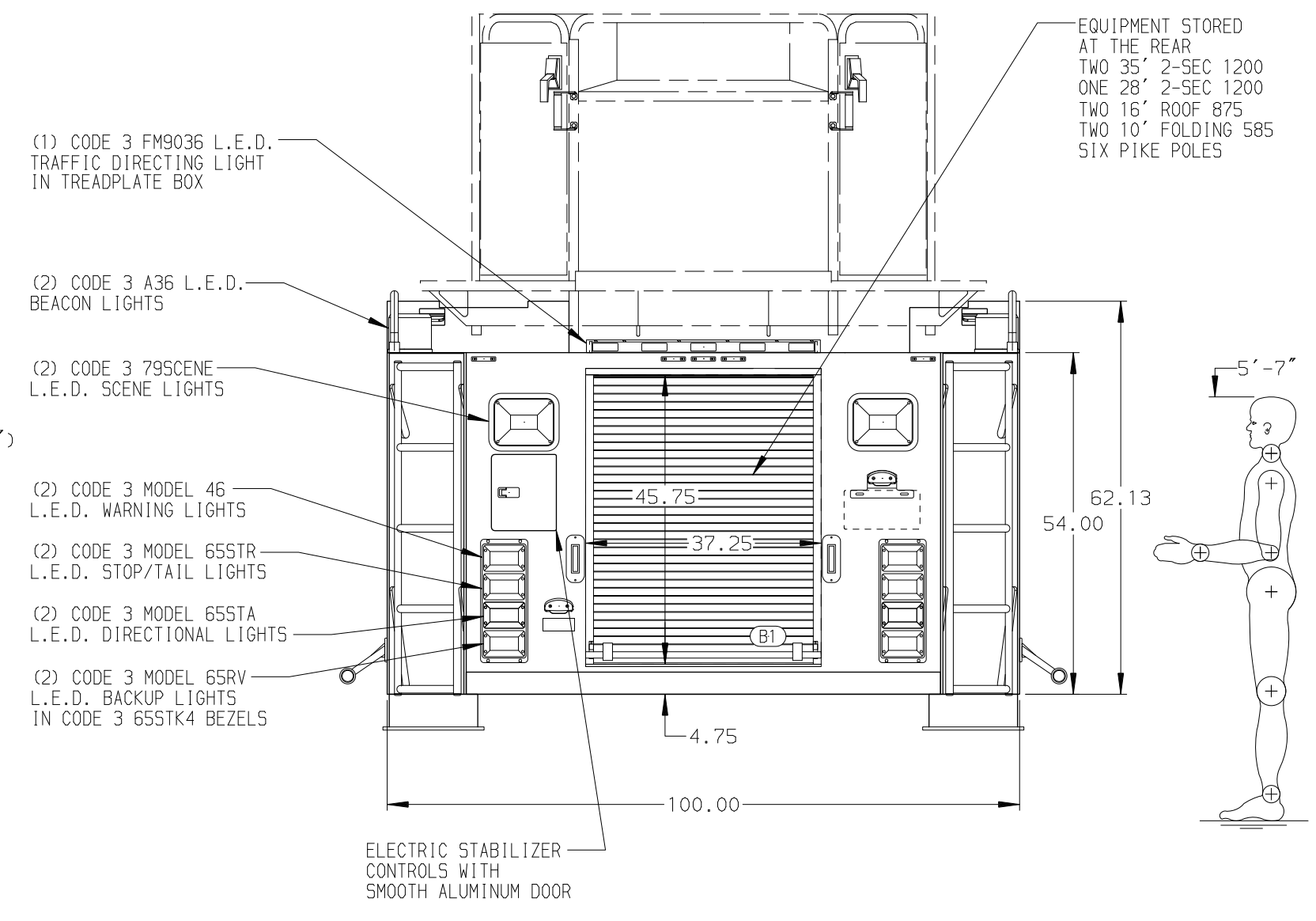
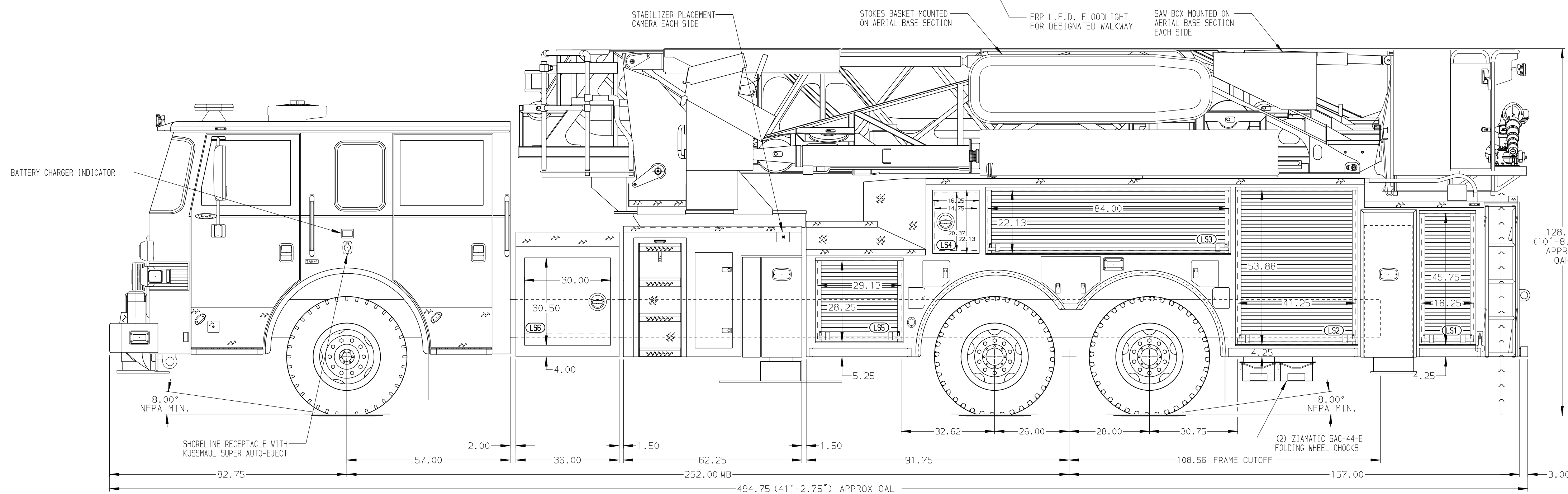


BODY 100' Ascendant Aerial Tower No Pump Alum Body	WATER TANK Water Tank Not Required
COMPT, LEFT SIDE Full Height RollUp/Lap Doors	Foam System Foam System Not Required
COMPT, RIGHT SIDE Full Height RollUp/Lap Doors	Foam Cell Foam Cell Not Required



CHASSIS Arrow XT Chassis ENGINE 525 HP DD13 Engine	CAB 5700 Arrow XT Cab BUMPER 13" Extended Painted Aluminum	AXLE, FRONT, CUSTOM 22,800 Lb TAK-4 Axle AXLE, REAR 52,000 Lb Meritor Axle	TRANSMISSION Allison 5th Gen, 4000 EV5 P	PUMPHOUSE 36" Compartment, No Pump, Lap Door PUMP No Pump Required	CROSSLAYS, 1.50" 1.50" Crosslays Not Required CROSSLAYS, 2.50" 2.50" Crosslays Not Required	SPEEDLAYS Speedlays Not Required GENERATOR Generator Not Required	SAFETY Side Roll and Frontal Impact Protection	CUSTOMER APPROVAL APPROVED BY: _____ DATE: _____		JOB NO. 31615
NOTE DIMENSIONS SHOWN ARE APPROXIMATE AND ARE SUBJECT TO MINOR DEVIATIONS AS MAY OCCUR OR BE NECESSARY IN CONSTRUCTION. MINOR DETAILS NOT SHOWN.	1. NON-RAISED AERIAL PEDESTAL 2. AIR INLET WITH DISCONNECT COUPLING RECESSED IN THE DRIVER SIDE STEPPWELL 3. BATTERY CHARGER LOCATED BEHIND DRIVER'S SEAT 4. 3-IN-1 LYFECOMBO BRACKETS AT AERIAL BASKET 5. STABILIZER PLACEMENT LASERS							CHASSIS DATA MAKE PIERCE MODEL ARROW XT		TITLE 100' ASCENDANT AERIAL TOWER AND BODY ASSEMBLY NO PUMP / NO TANK FOR PIERCE MANUFACTURING APPLETON, WI DWG NO. 31615AD