

Pumper, PUC

BODY
Pumper, PUC, Aluminum
CHASSIS
Enforcer Chassis, PUC

CHASSIS
AXLE, FRONT, CUSTOM
18,000 Lb TAK-4 Axle

AXLE, REAR
27,000 Lb Dana Axle

ENGINE
450 HP Cummins L9 Engine

TRANSMISSION
Allison 5th Gen, 3000 EVS P

BUMPER
19" Extended Painted Steel

CAB
7010 Enforcer Cab, PUC

BODY
WATER TANK
750 Gallon Poly Water Tank

COMPT, PUMPER, REAR
33.50" FF RollUp Rear Compt w/Tailboard, PUC

COMPT, PUMPER, DRIVER SIDE
189" RollUp Full Height & Depth Front & Rear, PUC

COMPT, PUMPER PASS. SIDE
189" RollUp Full Height & Depth Front & Rear, PUC

FIRE SUPPRESSION
PUMPHOUSE
Control Zone, PUC

PUMP
1500 GPM Pierce PUC

CROSSLAYS, 1.50"
(2) 1.50", Poly Trays, 200"

CROSSLAYS, 2.50"
(1) 2.50", Poly Tray, 200"

GENERATOR
Generator Not Required

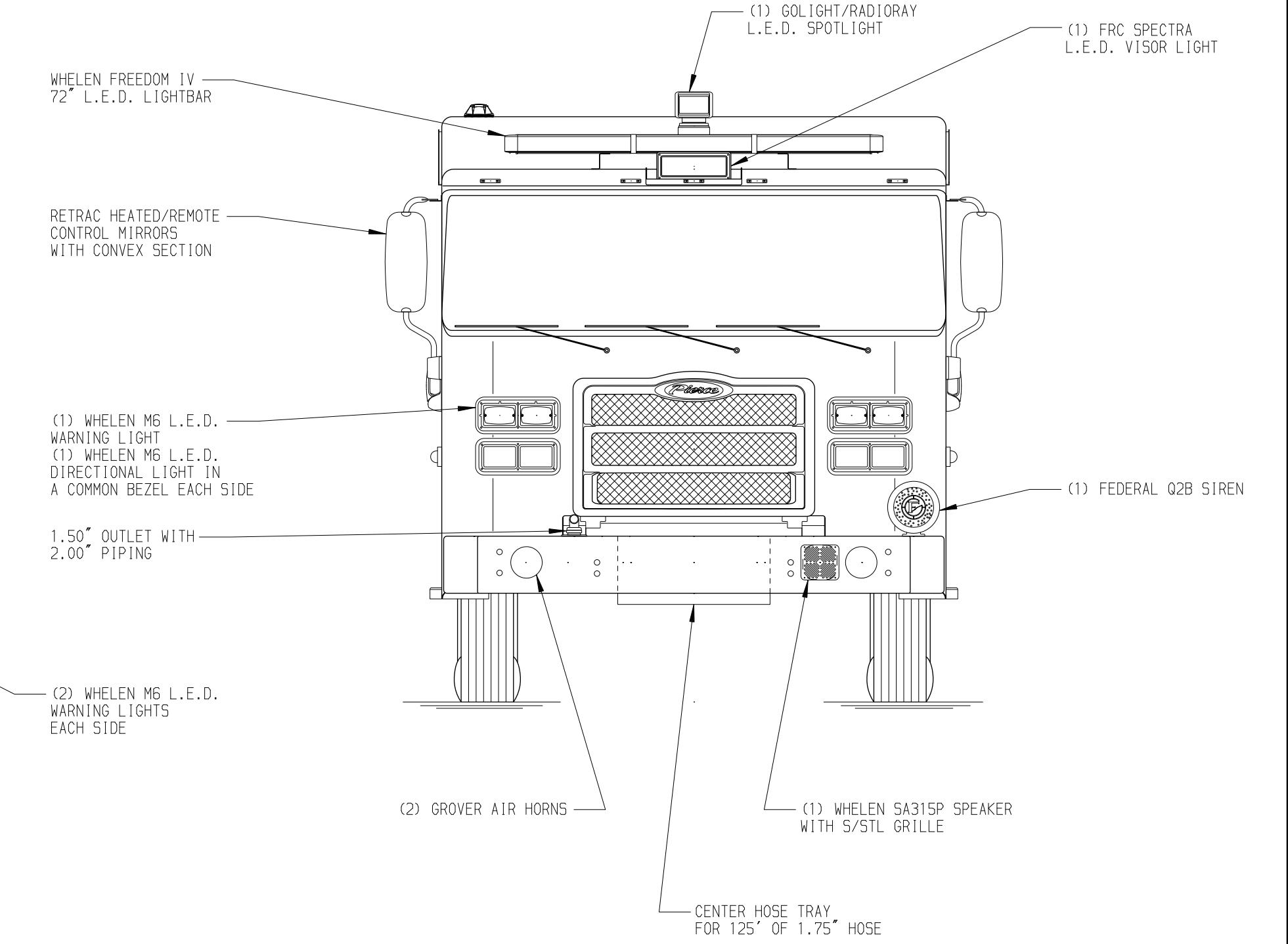
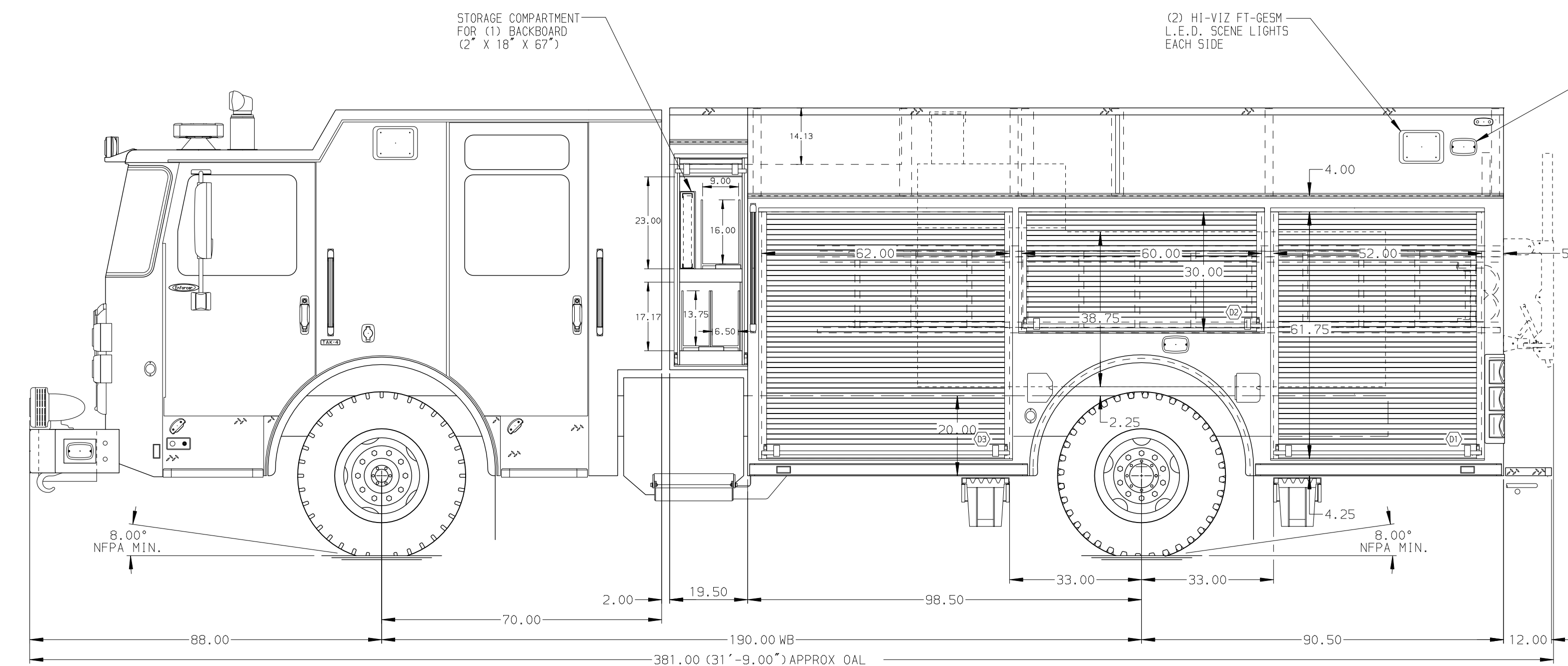
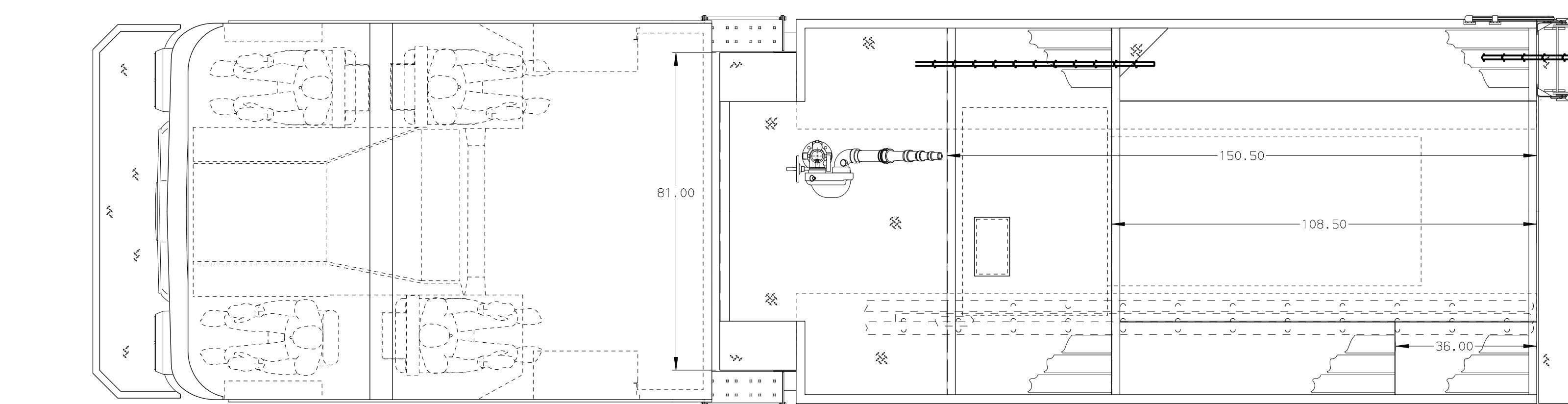
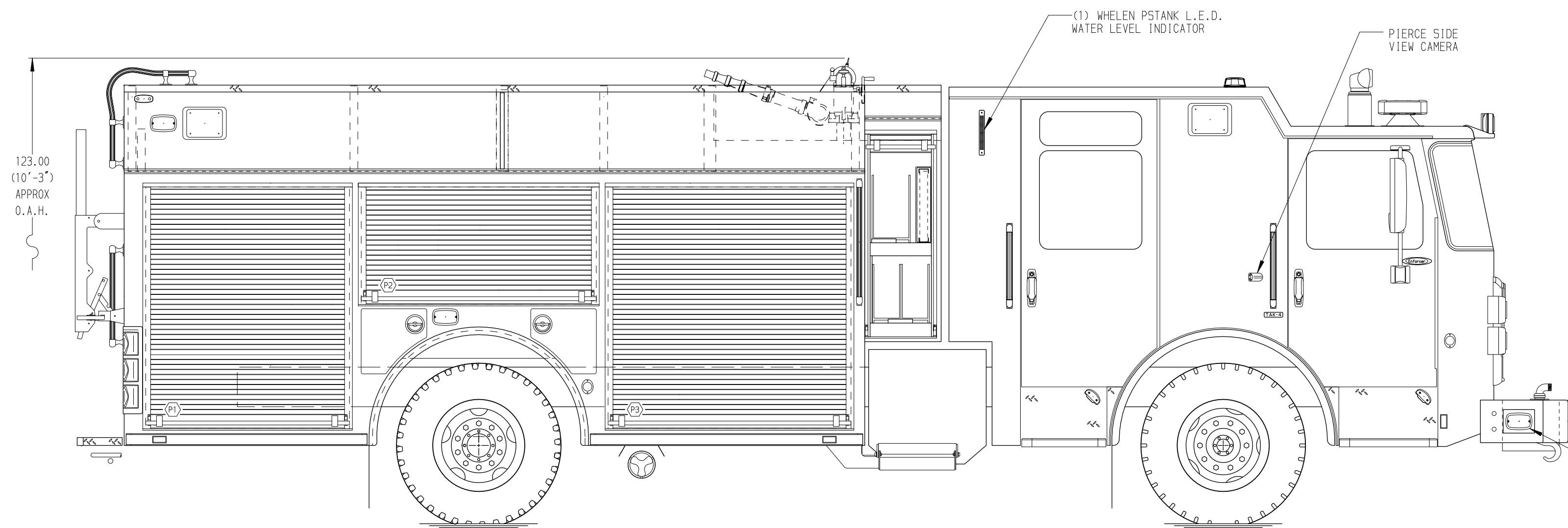
Foam System
Foam System Not Required

Foam Cell
Foam Cell Not Required

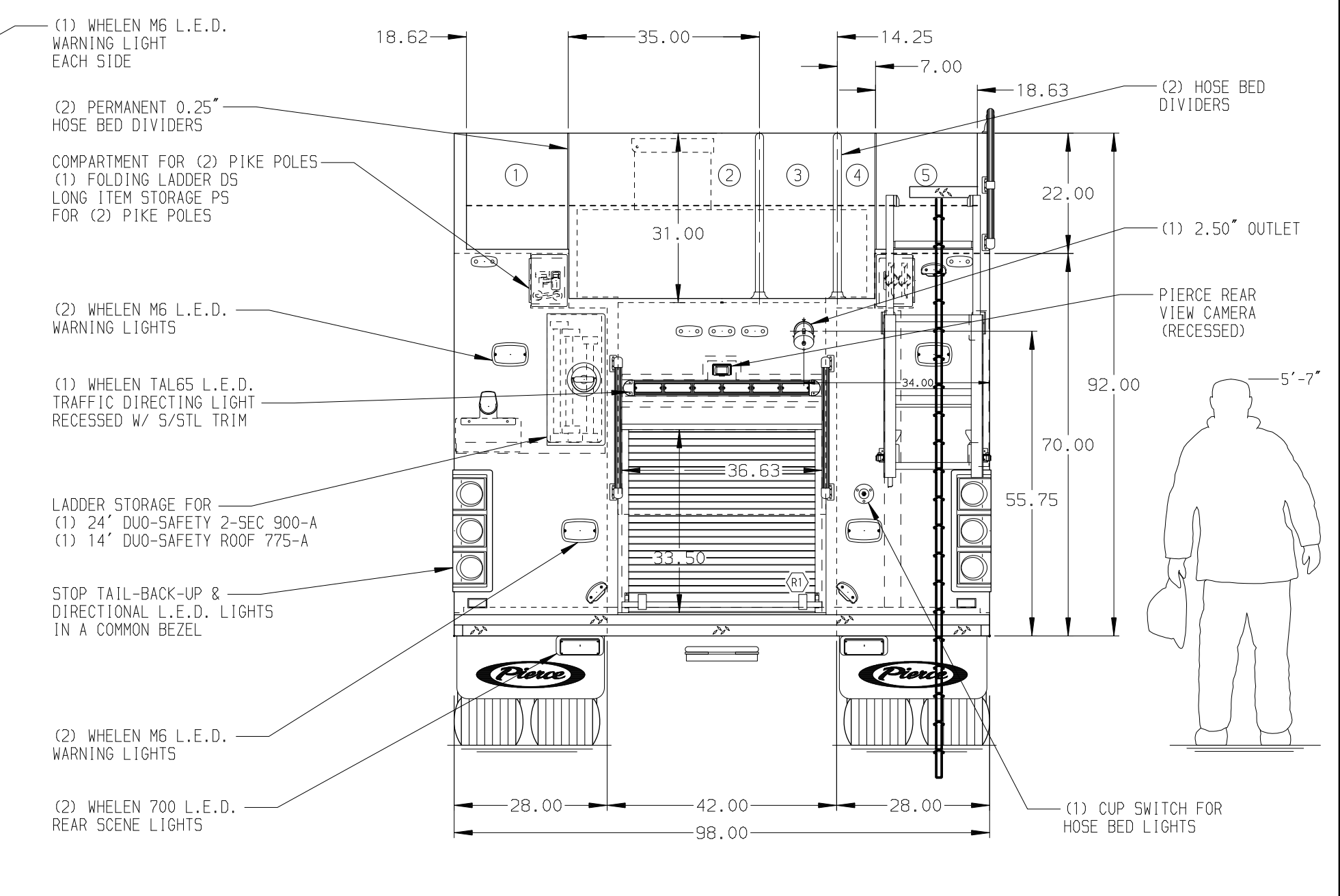
Side Roll and Frontal Impact Protection

NOTE
DIMENSIONS SHOWN ARE APPROXIMATE AND ARE SUBJECT TO MINOR DEVIATIONS AS MAY OCCUR OR BE NECESSARY IN CONSTRUCTION. MINOR DETAILS NOT SHOWN.

- SHORELINE RECEPTACLE WITH KUSSMAUL SUPER AUTO-EJECT LOCATED ON DRIVER SIDE OF THE CAB
- AIR INLET/OUTLET WITH DISCONNECT COUPLING IN THE DRIVER SIDE STEPPED
- BATTERY CHARGER LOCATED IN COMPARTMENT D3
- BATTERY CHARGE INDICATOR LOCATED ON THE DRIVER SIDE SEAT RISER
- SIX ADJUSTABLE SHELVES LOCATED PER SHOP ORDER
- TWO FLOOR MOUNTED SLIDE-OUT TRAYS LOCATED PER SHOP ORDER
- ONE SWING-OUT TOOLBOARD LOCATED PER SHOP ORDER
- FOUR 120V RECEPTACLES LOCATED PER SHOP ORDER
- AUTOMATIC TIRE CHAINS
- WHELEN HOWLER SPEAKER SYSTEM LOCATED PER SHOP ORDER
- PULL STRAPS FOR DOORS LOCATED PER SHOP ORDER



HOSEBED CAPACITY	
BED 1	OPEN AREA
BED 2	1000' OF 5.00" D.J. POLY HOSE
BED 3	400' OF 2.50" D.J. POLY HOSE
BED 4	200' OF 2.50" D.J. POLY HOSE
BED 5	WALKING AREA



		JOB NO.	31628
		SCALE	DATE
TITLE	Pierce PUC Pumper Approval Drawing	DRAWN BY	COL
FOR	Maumelle Fire Department	CHECKED BY	JGO
DWG NO.	31628AD	SHEET SIZE	D
REV	DATE	BY	CH
28AUG17	COL	JGO	PIERCE
25JUL17	COL	JGO	MODEL
ENFORCER	CHASSIS DATA	MAKE	PIERCE
	MODEL		